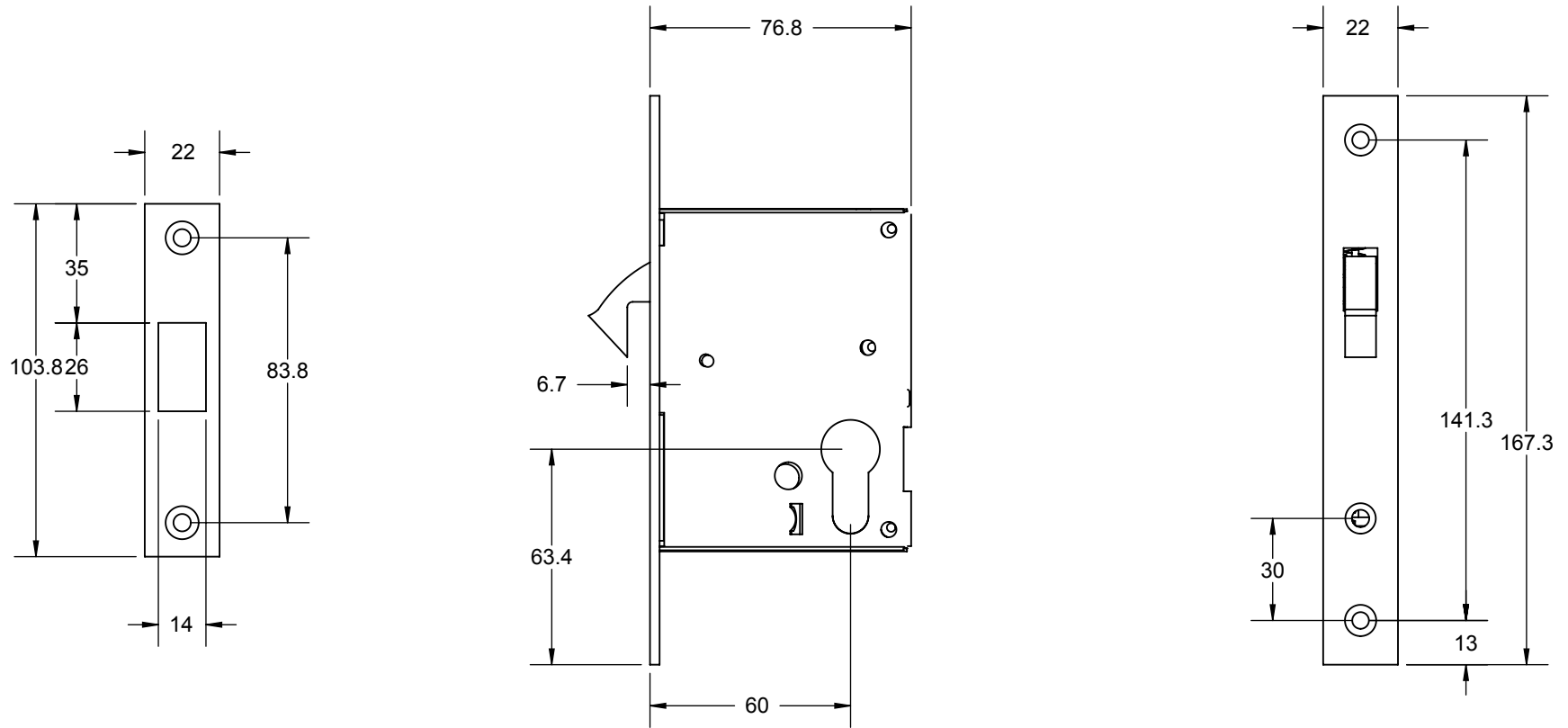



REV.	DESCRIPTION	ECO NO.	DATE
-	INITIAL CHECK-IN	IM10007	1/26/2011



Four M4x25mm wood screws provided in box.

 <b>PROPRIETARY &amp; CONFIDENTIAL</b> THE INFORMATION CONTAINED IN THIS DRAWING IS THE SOLE PROPERTY OF HAGER COMPANIES. ANY REPRODUCTION IN PART OR AS A WHOLE WITHOUT THE WRITTEN PERMISSION OF HAGER COMPANIES IS PROHIBITED.	HAGER RESERVES THE RIGHT TO MAKE DESIGN CHANGES WITHOUT NOTICE. CALL HAGER ENGINEERING AT 1-800-325-9995 FOR THE LATEST REVISION DATE OF TEMPLATE.	DRAWN		<b>3800U-60H</b> <b>SLIDING DOOR MORTISE LOCK</b>	
		ENG. APPR.			
		MATERIAL		Q.A.	
		FINISH		TOLERANCES: FRACTIONAL: $\pm 0.015"$ ANGULAR: MACH: $\pm 1^\circ$ BEND: $\pm 1^\circ$ TWO PLACE DECIMAL: $\pm 0.01"$ THREE PLACE DECIMAL: $\pm 0.004"$	
DO NOT SCALE DRAWING		SIZE	DWG. NO.	REV.	
		<b>A</b>	<b>S-LS01126</b>	<b>-+</b>	
		SCALE: 1:4	WEIGHT:	SHEET 1 OF 1	