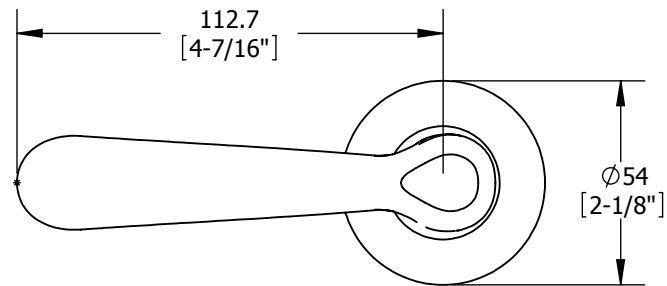
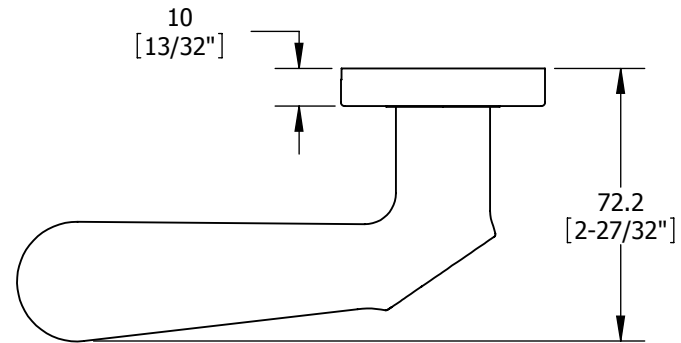



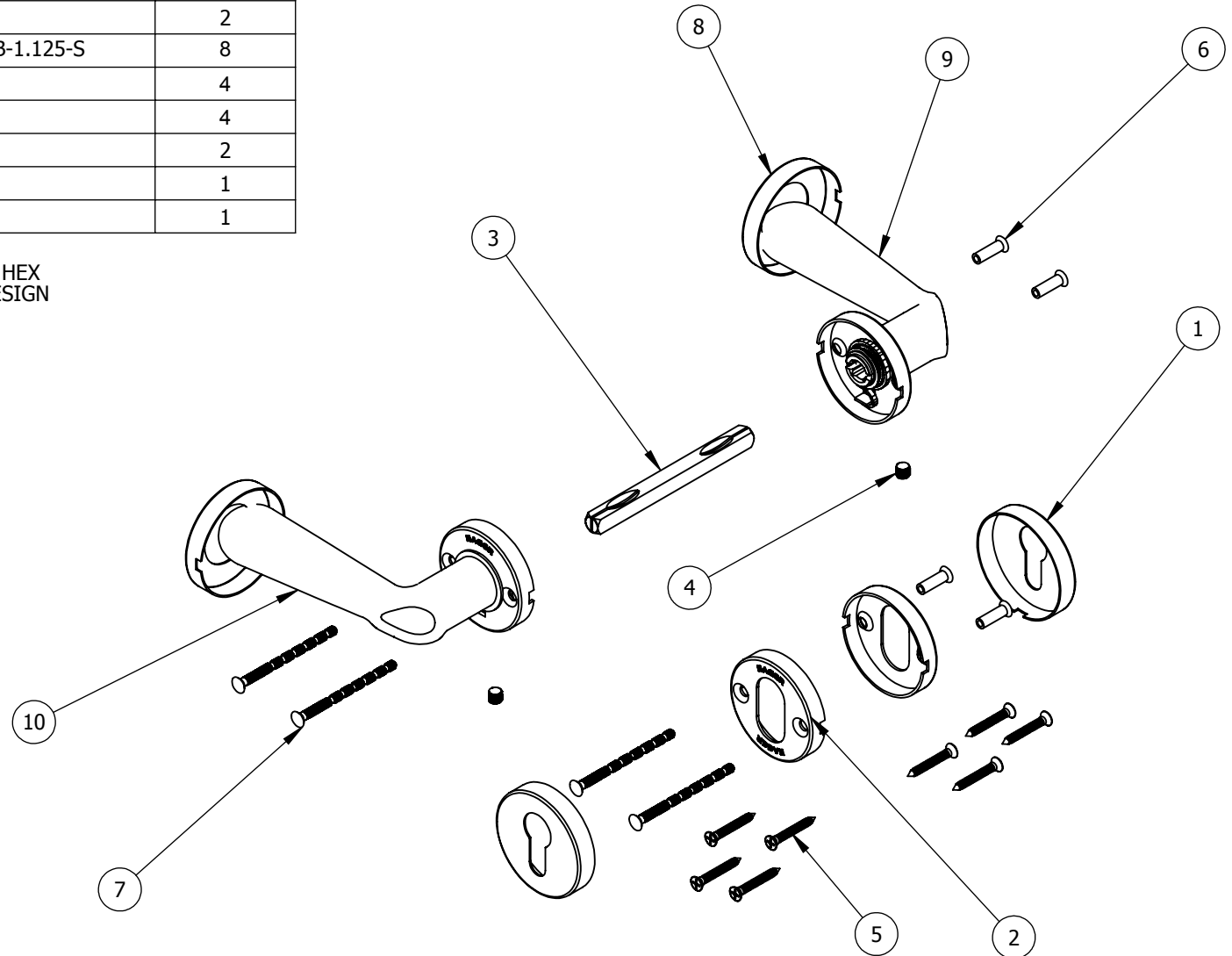
REV.	DESCRIPTION	ECO NO.	DATE
------	-------------	---------	------




 <p><b>PROPRIETARY &amp; CONFIDENTIAL</b> THE INFORMATION CONTAINED IN THIS DRAWING IS THE SOLE PROPERTY OF HAGER COMPANIES. ANY REPRODUCTION IN PART OR AS A WHOLE WITHOUT THE WRITTEN PERMISSION OF HAGER COMPANIES IS PROHIBITED.</p>	<p>HAGER RESERVES THE RIGHT TO MAKE DESIGN CHANGES WITHOUT NOTICE. CALL HAGER ENGINEERING AT 1-800-325-9995 FOR THE LATEST REVISION DATE OF TEMPLATE.</p>	DRAWN	-	7/29/2011	<p>6829 <b>EURO STYLE MORTISE LOCK LEVER</b></p>	
		MATERIAL	STAINLESS	ENG. APPR.		-
		FINISH	US32D	Q.A.		
		DO NOT SCALE DRAWING		<p>TOLERANCES: FRACTIONAL: ±0.015" ANGULAR: MACH: ± 1° BEND: ±1° TWO PLACE DECIMAL: ±0.01" THREE PLACE DECIMAL: ±0.004"</p>		<p>SIZE <b>A</b> DWG. NO. <b>S-LS01191</b> REV.</p>
		SCALE: 1:2	WEIGHT: 1285.93		SHEET 1 OF 2	

ITEM NO.	PART NUMBER	QTY.
1	S-LS01015	2
2	S-LS01014	2
3	S-LS00837	1
4	S-LS01023	2
5	FLATCKT 0.151-19-type I-AB-1.125-S	8
6	S-LS01018	4
7	S-LS01019	4
8	S-LS01020	2
9	6829 LEFT HAND LEVER	1
10	6829 RIGHT HAND LEVER	1

NOTE:  
 PACKAGED WITH INSTRUCTIONS AND 3mm HEX  
 KEY IN BLUE AND WHITE EUROLINE BOX DESIGN



 <b>PROPRIETARY &amp; CONFIDENTIAL</b> THE INFORMATION CONTAINED IN THIS DRAWING IS THE SOLE PROPERTY OF HAGER COMPANIES. ANY REPRODUCTION IN PART OR AS A WHOLE WITHOUT THE WRITTEN PERMISSION OF HAGER COMPANIES IS PROHIBITED.	HAGER RESERVES THE RIGHT TO MAKE DESIGN CHANGES WITHOUT NOTICE. CALL HAGER ENGINEERING AT 1-800-325-9995 FOR THE LATEST REVISION DATE OF TEMPLATE.	DRAWN	RTHOMP	1/1/2008	<b>6829</b> <b>EURO STYLE MORTISE LOCK LEVER</b>		
		ENG. APPR.	-	-			
		MATERIAL	STAINLESS		Q.A.		
		FINISH	US32D		TOLERANCES: FRACTIONAL: $\pm 0.015"$ ANGULAR: MACH: $\pm 1^\circ$ BEND: $\pm 1^\circ$ TWO PLACE DECIMAL: $\pm 0.01"$ THREE PLACE DECIMAL: $\pm 0.004"$		SIZE <b>A</b> DWG. NO. <b>S-LS01191</b> REV.
DO NOT SCALE DRAWING			SCALE: 1:2	WEIGHT: 1285.93	SHEET 2 OF 2		