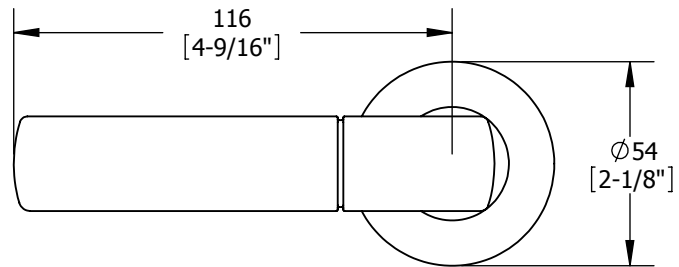
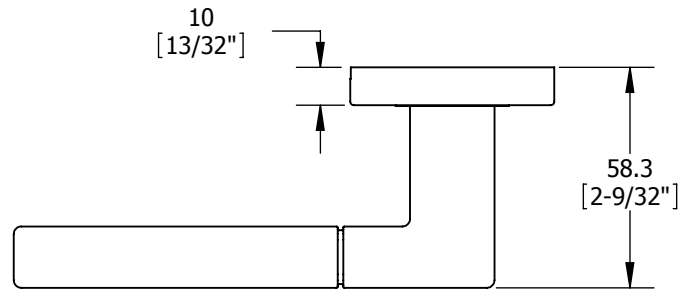



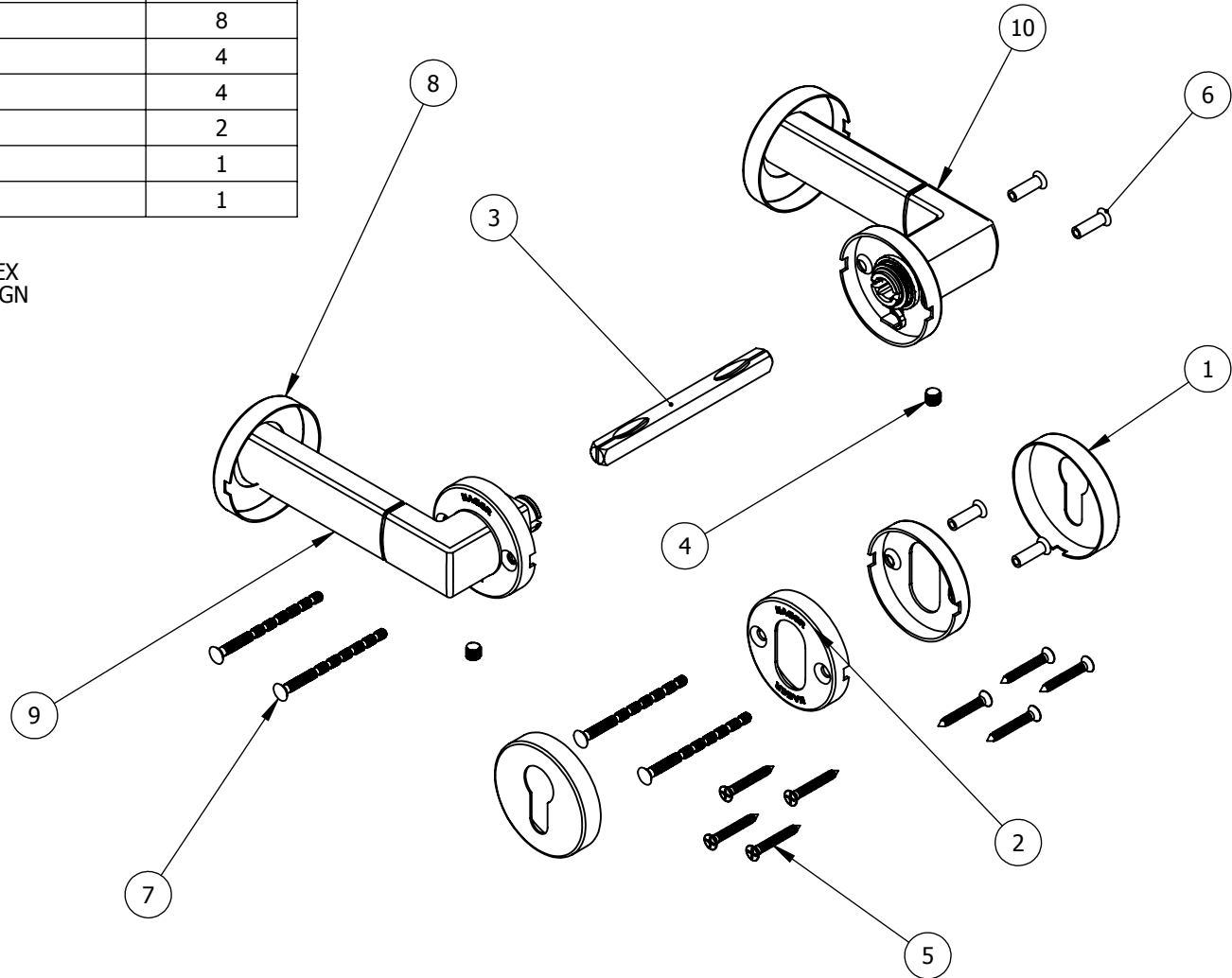
REV.	DESCRIPTION	ECO NO.	DATE
------	-------------	---------	------




 <p>PROPRIETARY & CONFIDENTIAL THE INFORMATION CONTAINED IN THIS DRAWING IS THE SOLE PROPERTY OF HAGER COMPANIES. ANY REPRODUCTION IN PART OR AS A WHOLE WITHOUT THE WRITTEN PERMISSION OF HAGER COMPANIES IS PROHIBITED.</p>	<p>HAGER RESERVES THE RIGHT TO MAKE DESIGN CHANGES WITHOUT NOTICE. CALL HAGER ENGINEERING AT 1-800-325-9995 FOR THE LATEST REVISION DATE OF TEMPLATE.</p>	DRAWN	RTHOMP	7/29/2011	<p>6828 EURO STYLE MORTISE LOCK LEVER</p>			
		ENG. APPR.	-	-				
		MATERIAL	STAINLESS STEEL		Q.A.			
		FINISH	US32D		<p>TOLERANCES: FRACTIONAL: ±0.015" ANGULAR: MACH: ± 1° BEND: ±1° TWO PLACE DECIMAL: ±0.01" THREE PLACE DECIMAL: ±0.004"</p>		SIZE	DWG. NO.
DO NOT SCALE DRAWING		A		S-LS01190		SCALE: 1:2	WEIGHT: 1245.13	SHEET 1 OF 2

ITEM NO.	PART NUMBER	QTY.
1	S-LS01015	2
2	S-LS01014	2
3	S-LS00837	1
4	S-LS01023	2
5	FPHWS #7 x 22mm	8
6	S-LS01018	4
7	S-LS01019	4
8	S-LS01020	2
9	6828 RIGHT HAND LEVER	1
10	6828 LEFT HAND LEVER	1

NOTE:
 PACKAGED WITH INSTRUCTIONS AND 3mm HEX
 KEY IN BLUE AND WHITE EUROLINE BOX DESIGN



 PROPRIETARY & CONFIDENTIAL THE INFORMATION CONTAINED IN THIS DRAWING IS THE SOLE PROPERTY OF HAGER COMPANIES. ANY REPRODUCTION IN PART OR AS A WHOLE WITHOUT THE WRITTEN PERMISSION OF HAGER COMPANIES IS PROHIBITED.	HAGER RESERVES THE RIGHT TO MAKE DESIGN CHANGES WITHOUT NOTICE. CALL HAGER ENGINEERING AT 1-800-325-9995 FOR THE LATEST REVISION DATE OF TEMPLATE.	DRAWN	RTHOMP	7/29/2011	6828 EURO STYLE MORTISE LOCK LEVER		
		ENG. APPR.	-	-			
		MATERIAL	STAINLESS		Q.A.		
		FINISH	US32D		TOLERANCES: FRACTIONAL: $\pm 0.015''$ ANGULAR: MACH: $\pm 1^\circ$ BEND: $\pm 1^\circ$ TWO PLACE DECIMAL: $\pm 0.01''$ THREE PLACE DECIMAL: $\pm 0.004''$		SIZE A DWG. NO. S-LS01190 REV.
DO NOT SCALE DRAWING			SCALE: 1:2	WEIGHT: 1245.13	SHEET 2 OF 2		