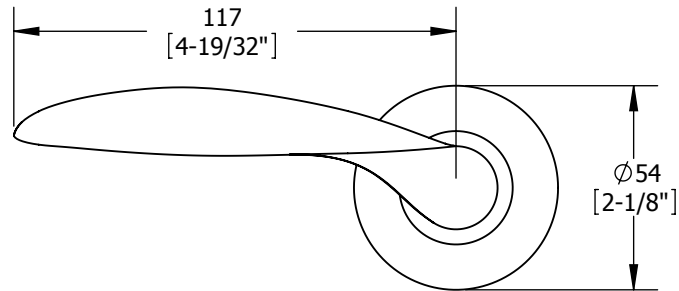
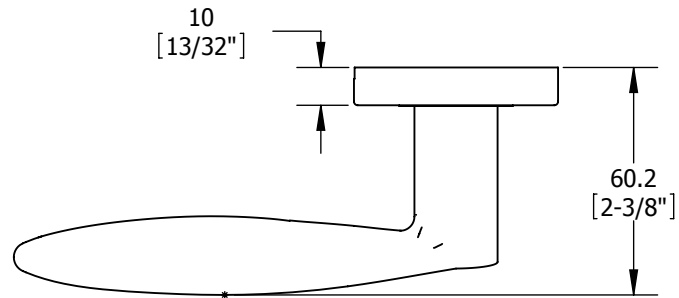



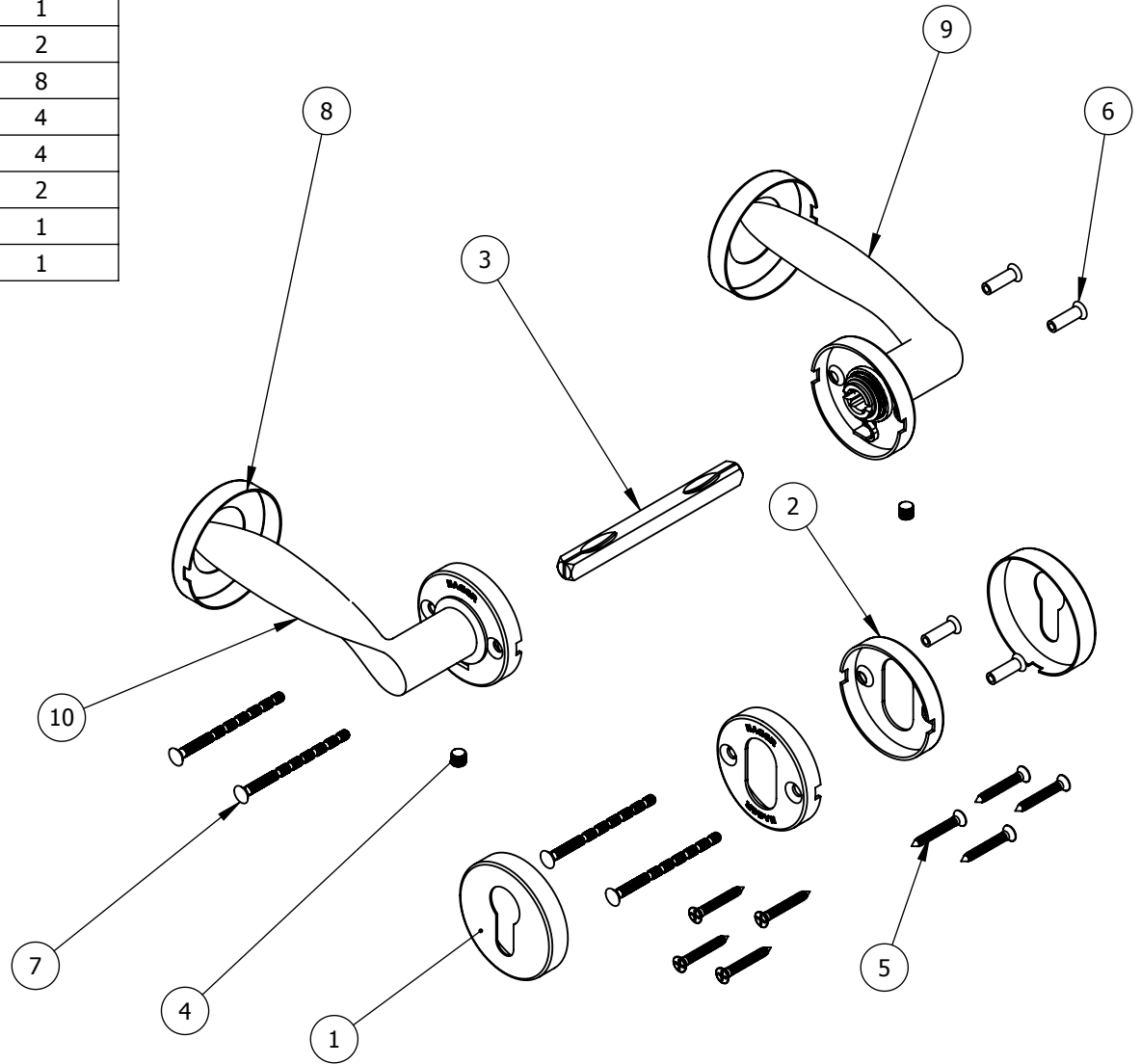
REV.	DESCRIPTION	ECO NO.	DATE
------	-------------	---------	------




 PROPRIETARY & CONFIDENTIAL THE INFORMATION CONTAINED IN THIS DRAWING IS THE SOLE PROPERTY OF HAGER COMPANIES. ANY REPRODUCTION IN PART OR AS A WHOLE WITHOUT THE WRITTEN PERMISSION OF HAGER COMPANIES IS PROHIBITED.	HAGER RESERVES THE RIGHT TO MAKE DESIGN CHANGES WITHOUT NOTICE. CALL HAGER ENGINEERING AT 1-800-325-9995 FOR THE LATEST REVISION DATE OF TEMPLATE.	DRAWN	RTHOMP	7/11/2011	6822 Euro Style Mortise Lock Lever		
		ENG. APPR.	-	-			
		MATERIAL	STAINLESS		Q.A.		
		FINISH	US32D		TOLERANCES: FRACTIONAL: ±0.015" ANGULAR: MACH: ± 1° BEND: ±1° TWO PLACE DECIMAL: ±0.01" THREE PLACE DECIMAL: ±0.004"		SIZE A DWG. NO. S-LS01184 SCALE: 1:2 WEIGHT: 348.75

ITEM NO.	PART NUMBER	QTY.
1	S-LS01015	2
2	S-LS01014	2
3	S-LS00837	1
4	S-LS01023	2
5	FPHWS #7 x 22mm	8
6	S-LS01018	4
7	S-LS01019	4
8	S-LS01020	2
9	6822 LEFT HAND LEVER	1
10	6822 RIGHT HAND LEVER	1

NOTE:
 PACKAGED WITH INSTRUCTIONS AND 3mm HEX
 KEY IN BLUE AND WHITE EUROLINE BOX DESIGN



 PROPRIETARY & CONFIDENTIAL THE INFORMATION CONTAINED IN THIS DRAWING IS THE SOLE PROPERTY OF HAGER COMPANIES. ANY REPRODUCTION IN PART OR AS A WHOLE WITHOUT THE WRITTEN PERMISSION OF HAGER COMPANIES IS PROHIBITED.	HAGER RESERVES THE RIGHT TO MAKE DESIGN CHANGES WITHOUT NOTICE. CALL HAGER ENGINEERING AT 1-800-325-9995 FOR THE LATEST REVISION DATE OF TEMPLATE.	DRAWN RTHOMP 7/11/2011	6822 Euro Style Mortise Lock Lever		
		ENG. APPR. - -			
		MATERIAL STAINLESS	Q.A.	TOLERANCES: FRACTIONAL: ±0.015" ANGULAR: MACH: ± 1° BEND: ±1° TWO PLACE DECIMAL: ±0.01" THREE PLACE DECIMAL: ±0.004"	SIZE A DWG. NO. S-LS01184 REV. ++
		FINISH US32D	DO NOT SCALE DRAWING	SCALE: 1:2	WEIGHT: 840.78