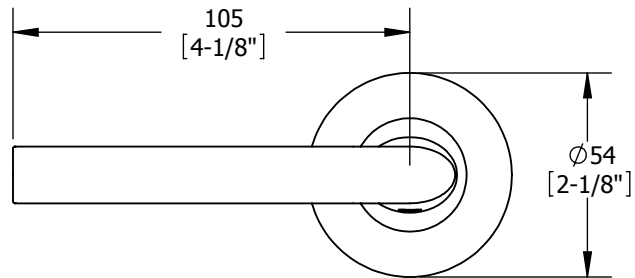
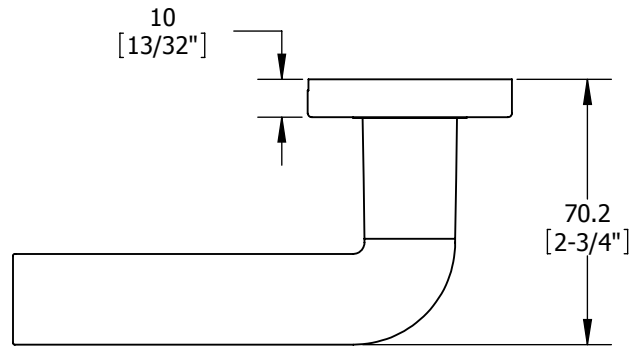



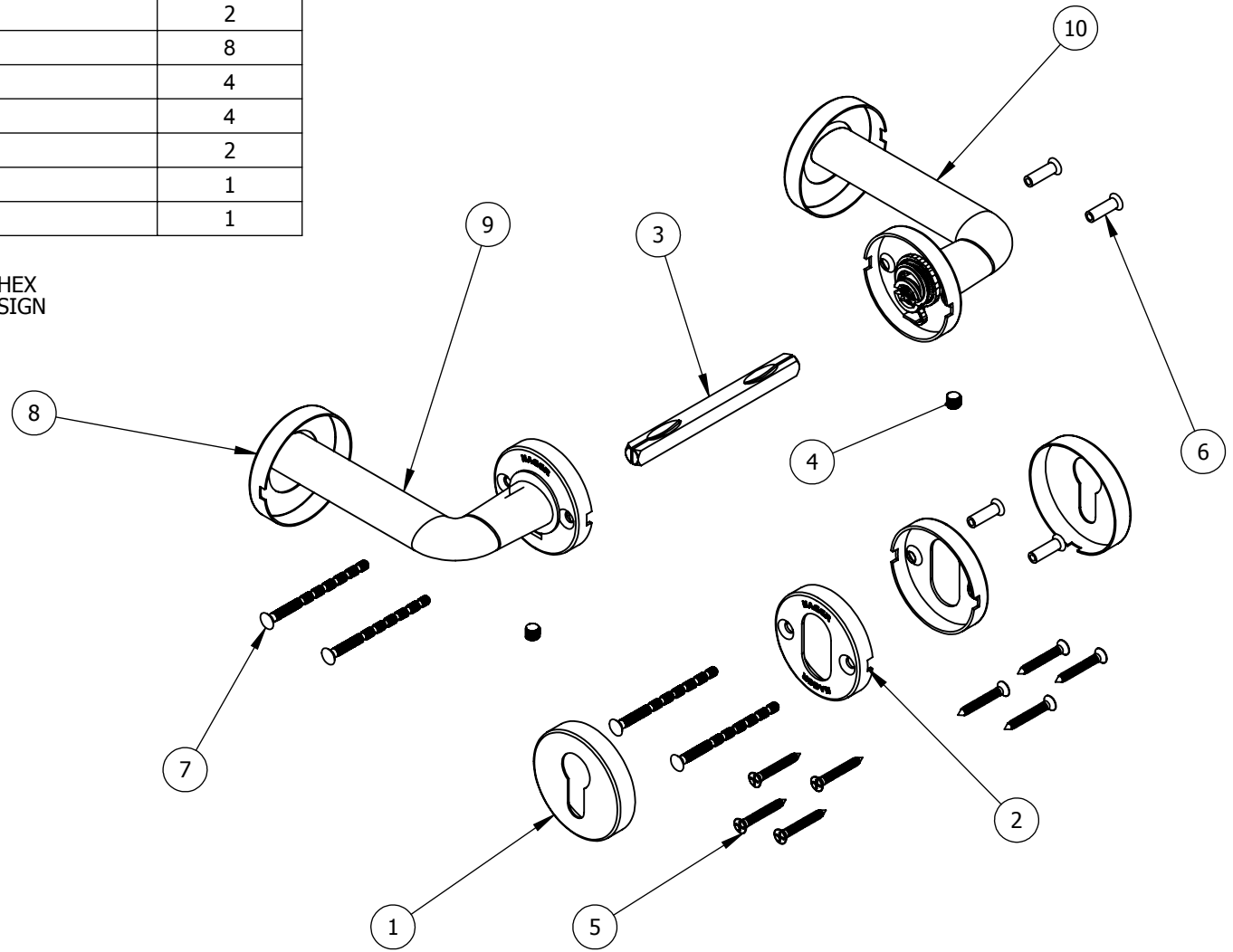
REV.	DESCRIPTION	ECO NO.	DATE
------	-------------	---------	------



 <p>PROPRIETARY & CONFIDENTIAL THE INFORMATION CONTAINED IN THIS DRAWING IS THE SOLE PROPERTY OF HAGER COMPANIES. ANY REPRODUCTION IN PART OR AS A WHOLE WITHOUT THE WRITTEN PERMISSION OF HAGER COMPANIES IS PROHIBITED.</p>	<p>HAGER RESERVES THE RIGHT TO MAKE DESIGN CHANGES WITHOUT NOTICE. CALL HAGER ENGINEERING AT 1-800-325-9995 FOR THE LATEST REVISION DATE OF TEMPLATE.</p>	DRAWN	RTHOMP	6/24/2011	<p>6818 EURO STLYE MORTISE LOCK LEVER</p>				
		MATERIAL	STAINLESS	ENG. APPR.			-	Q.A.	
		FINISH	US32D	<p>TOLERANCES: FRACTIONAL: ±0.015" ANGULAR: MACH: ± 1° BEND: ±1° TWO PLACE DECIMAL: ±0.01" THREE PLACE DECIMAL: ±0.004"</p>			SIZE	DWG. NO.	REV.
		DO NOT SCALE DRAWING					A	S-LS01180	
		SCALE: 1:2		WEIGHT: 999.19		SHEET 1 OF 2			

ITEM NO.	PART NUMBER	QTY.
1	S-LS01015	2
2	S-LS01014	2
3	S-LS00837	1
4	S-LS01023	2
5	FPHWS #7 x 22mm	8
6	S-LS01018	4
7	S-LS01019	4
8	S-LS01020	2
9	6818 RIGHT HAND LEVER	1
10	6818 LEFT HAND LEVER	1

NOTE:
 PACKAGED WITH INSTRUCTIONS AND 3mm HEX
 KEY IN BLUE AND WHITE EUROLINE BOX DESIGN



PROPRIETARY & CONFIDENTIAL
 THE INFORMATION CONTAINED
 IN THIS DRAWING IS THE SOLE
 PROPERTY OF HAGER
 COMPANIES. ANY REPRODUCTION
 IN PART OR AS A WHOLE WITHOUT
 THE WRITTEN PERMISSION OF
 HAGER COMPANIES IS PROHIBITED.

HAGER RESERVES
 THE RIGHT TO
 MAKE DESIGN
 CHANGES
 WITHOUT NOTICE.
 CALL HAGER
 ENGINEERING AT
 1-800-325-9995
 FOR THE LATEST
 REVISION DATE
 OF TEMPLATE.

DRAWN	RTHOMP	1/1/2008
ENG. APPR.	-	-
MATERIAL	STAINLESS	
FINISH	US32D	
DO NOT SCALE DRAWING		
TOLERANCES: FRACTIONAL: ±0.015" ANGULAR: MACH: ±1° BEND: ±1° TWO PLACE DECIMAL: ±0.01" THREE PLACE DECIMAL: ±0.004"		

6818	
EURO STLYE MORTISE LOCK LEVER	
SIZE	DWG. NO.
A	S-LS01180
SCALE: 1:2	WEIGHT: 999.19
REV.	
SHEET 2 OF 2	