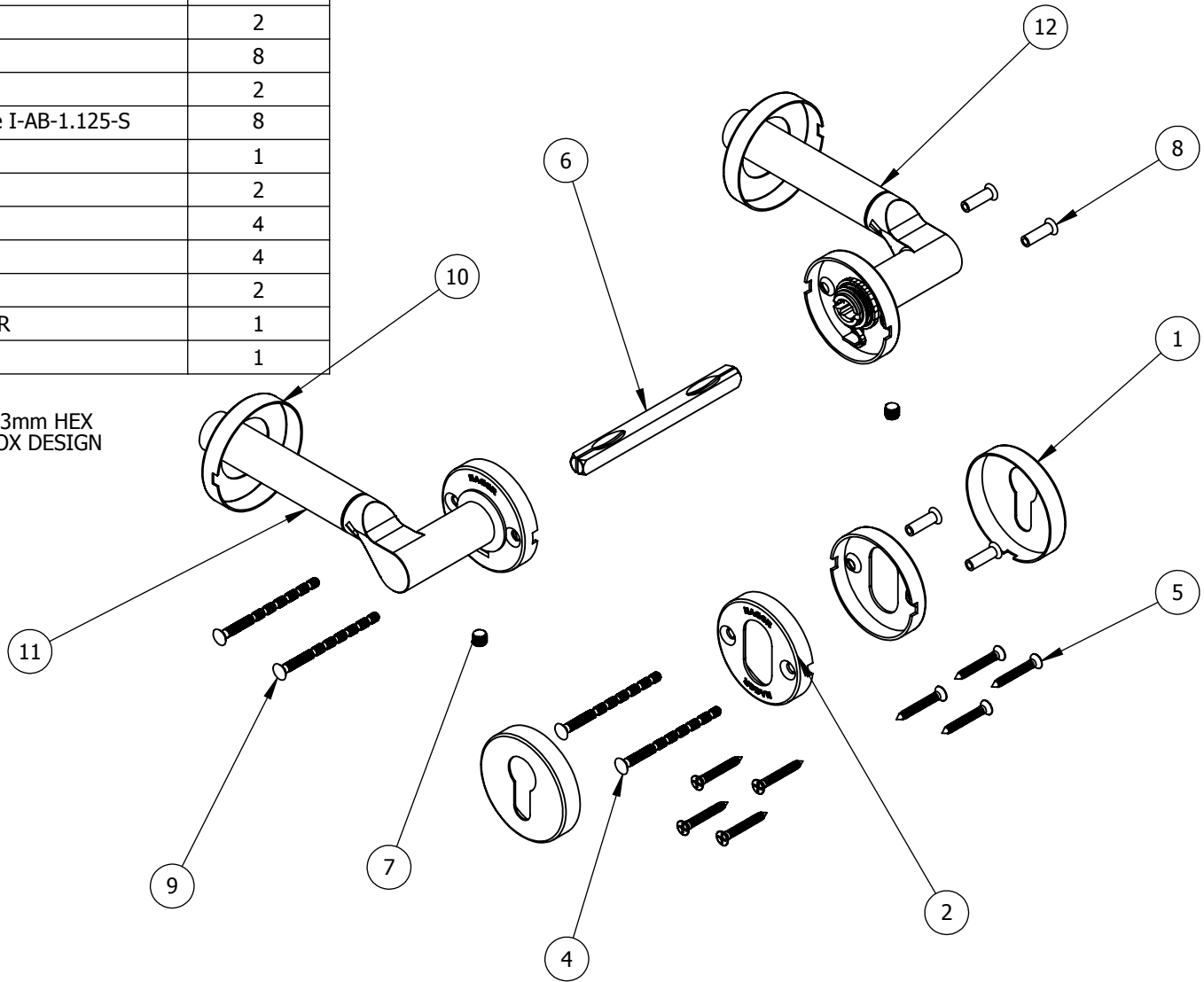


BOM Table(Restructured)		
ITEM NO.	PART NUMBER	QTY.
1	S-LS01015	2
2	S-LS01014	2
3	FHPWS #7 x 22mm	8
4	S-LS01019	2
5	FLATCKT 0.151-19-type I-AB-1.125-S	8
6	S-LS00837	1
7	S-LS01023	2
8	S-LS01018	4
9	S-LS01019	4
10	S-LS01020	2
11	6816 RIGHT HAND LEVER	1
12	6816 IEFT HAND LEVER	1

NOTE:  
PACKAGED WITH INSTRUCTIONS AND 3mm HEX  
KEY IN BLUE AND WHITE EUROLINE BOX DESIGN



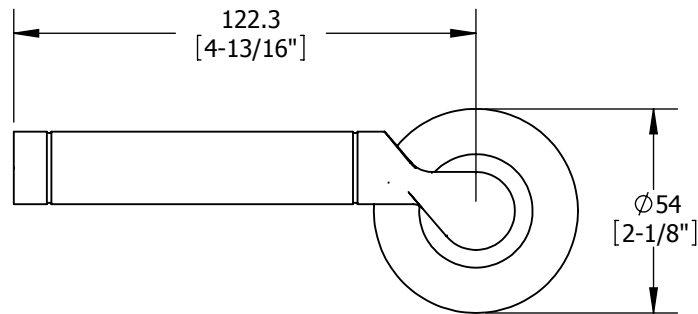
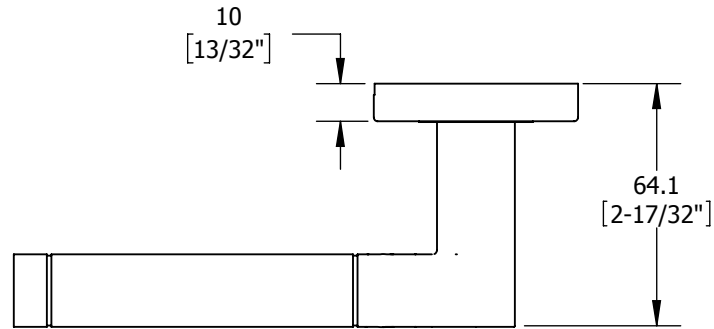
**PROPRIETARY & CONFIDENTIAL**  
THE INFORMATION CONTAINED  
IN THIS DRAWING IS THE SOLE  
PROPERTY OF HAGER  
COMPANIES. ANY REPRODUCTION  
IN PART OR AS A WHOLE WITHOUT  
THE WRITTEN PERMISSION OF  
HAGER COMPANIES IS PROHIBITED.

HAGER RESERVES  
THE RIGHT TO  
MAKE DESIGN  
CHANGES  
WITHOUT NOTICE.  
CALL HAGER  
ENGINEERING AT  
1-800-325-9995  
FOR THE LATEST  
REVISION DATE  
OF TEMPLATE.

DRAWN	RTHOMP	6/24/2011
ENG. APPR.	-	-
MATERIAL	STAINLESS	
FINISH	US32D	
DO NOT SCALE DRAWING		
TOLERANCES: FRACTIONAL: $\pm 0.015"$ ANGULAR: MACH: $\pm 1^\circ$ BEND: $\pm 1^\circ$ TWO PLACE DECIMAL: $\pm 0.01"$ THREE PLACE DECIMAL: $\pm 0.004"$		

6816		EURO STLYE MORTISE LOCK LEVER	
SIZE	DWG. NO.	REV.	
A	S-LS01178	-+	
SCALE: 1:2	WEIGHT: 528.68	SHEET 1 OF 2	

REV.	DESCRIPTION	ECO NO.	DATE
------	-------------	---------	------



**PROPRIETARY & CONFIDENTIAL**  
THE INFORMATION CONTAINED IN THIS DRAWING IS THE SOLE PROPERTY OF HAGER COMPANIES. ANY REPRODUCTION IN PART OR AS A WHOLE WITHOUT THE WRITTEN PERMISSION OF HAGER COMPANIES IS PROHIBITED.

HAGER RESERVES THE RIGHT TO MAKE DESIGN CHANGES WITHOUT NOTICE. CALL HAGER ENGINEERING AT 1-800-325-9995 FOR THE LATEST REVISION DATE OF TEMPLATE.

	DRAWN	RTHOMP	6/24/2011
	ENG. APPR.	-	-
MATERIAL	STAINLESS		
FINISH	US32D		
	DO NOT SCALE DRAWING		
	TOLERANCES: FRACTIONAL: ±0.015" ANGULAR: MACH: ±1° BEND: ±1° TWO PLACE DECIMAL: ±0.01" THREE PLACE DECIMAL: ±0.004"		

6816		EURO STLYE MORTISE LOCK LEVER	
SIZE	DWG. NO.	REV.	
<b>A</b>	S-LS01178	-+	
SCALE: 1:2	WEIGHT: 260.27	SHEET 2 OF 2	