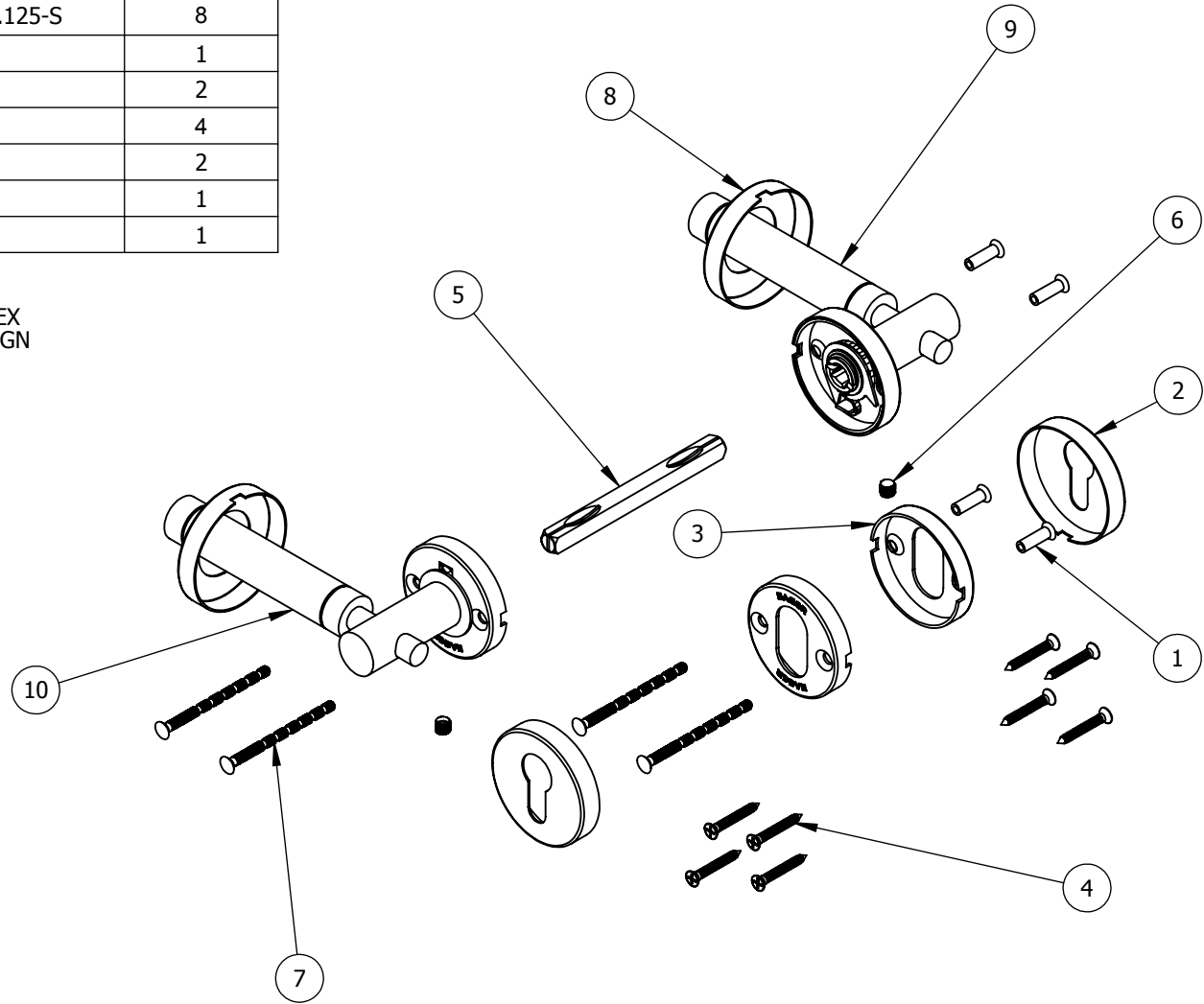



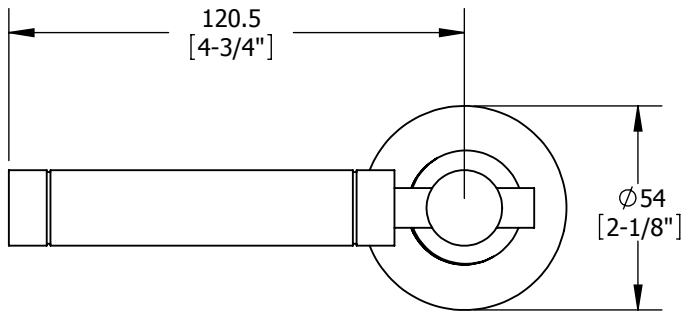
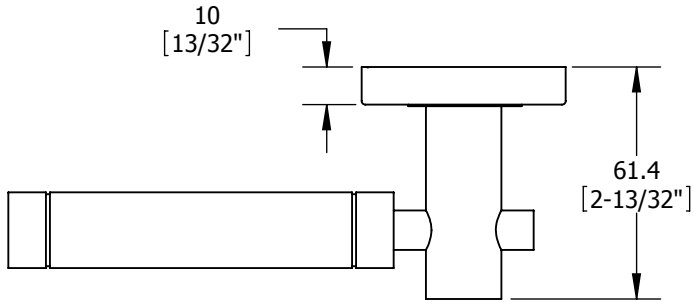
ITEM NO.	PART NUMBER	QTY.
1	S-LS01018	4
2	S-LS01015	2
3	S-LS01014	2
4	FLATCKT 0.151-19-type I-AB-1.125-S	8
5	S-LS00837	1
6	S-LS01023	2
7	S-LS01019	4
8	S-LS01020	2
9	6814 LEFT HAND LEVER	1
10	6814 RIGHT HAND LEVER	1

NOTE:  
PACKAGED WITH INSTRUCTIONS AND 3mm HEX  
KEY IN BLUE AND WHITE EUROLINE BOX DESIGN



REV.	DESCRIPTION	ECO NO.	DATE
------	-------------	---------	------

 <p><b>PROPRIETARY &amp; CONFIDENTIAL</b> THE INFORMATION CONTAINED IN THIS DRAWING IS THE SOLE PROPERTY OF HAGER COMPANIES. ANY REPRODUCTION IN PART OR AS A WHOLE WITHOUT THE WRITTEN PERMISSION OF HAGER COMPANIES IS PROHIBITED.</p>	<p>HAGER RESERVES THE RIGHT TO MAKE DESIGN CHANGES WITHOUT NOTICE. CALL HAGER ENGINEERING AT 1-800-325-9995 FOR THE LATEST REVISION DATE OF TEMPLATE.</p>	DRAWN	RTHOMP	6/22/2011	<p>6814 EURO STYLE MORTISE LOCK LEVER</p>		
		ENG. APPR.	-	-			
		MATERIAL	STAINLESS		Q.A.		
		FINISH	US32D		<p>TOLERANCES: FRACTIONAL: <math>\pm 0.015''</math> ANGULAR: MACH: <math>\pm 1^\circ</math> BEND: <math>\pm 1^\circ</math> TWO PLACE DECIMAL: <math>\pm 0.01''</math> THREE PLACE DECIMAL: <math>\pm 0.004''</math></p>		SIZE
DO NOT SCALE DRAWING			<p>SCALE: 1:8    WEIGHT: 448.63</p>		A	S-LS01176	-+
						SHEET 1 OF 2	



**PROPRIETARY & CONFIDENTIAL**  
 THE INFORMATION CONTAINED  
 IN THIS DRAWING IS THE SOLE  
 PROPERTY OF HAGER  
 COMPANIES. ANY REPRODUCTION  
 IN PART OR AS A WHOLE WITHOUT  
 THE WRITTEN PERMISSION OF  
 HAGER COMPANIES IS PROHIBITED.

HAGER RESERVES  
 THE RIGHT TO  
 MAKE DESIGN  
 CHANGES  
 WITHOUT NOTICE.  
 CALL HAGER  
 ENGINEERING AT  
 1-800-325-9995  
 FOR THE LATEST  
 REVISION DATE  
 OF TEMPLATE.

	DRAWN	RTHOMP	6/22/2011
	ENG. APPR.	-	-
MATERIAL	STAINLESS		
FINISH	US32D		
DO NOT SCALE DRAWING			
TOLERANCES: FRACTIONAL: $\pm 0.015"$ ANGULAR: MACH: $\pm 1^\circ$ BEND: $\pm 1^\circ$ TWO PLACE DECIMAL: $\pm 0.01"$ THREE PLACE DECIMAL: $\pm 0.004"$			

6814		
<b>EURO STYLE MORTISE LOCK LEVER</b>		
SIZE	DWG. NO.	REV.
<b>A</b>	S-LS01176	-+
SCALE: 1:8	WEIGHT: 155.09	SHEET 2 OF 2