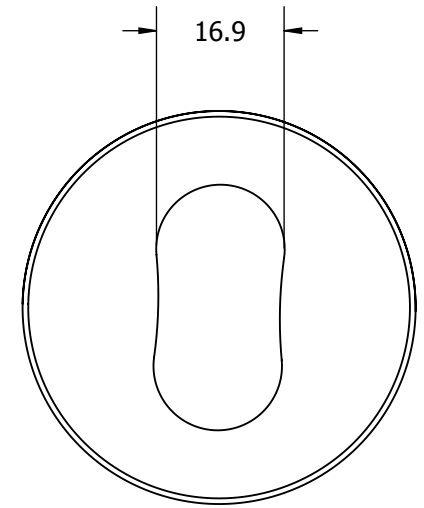
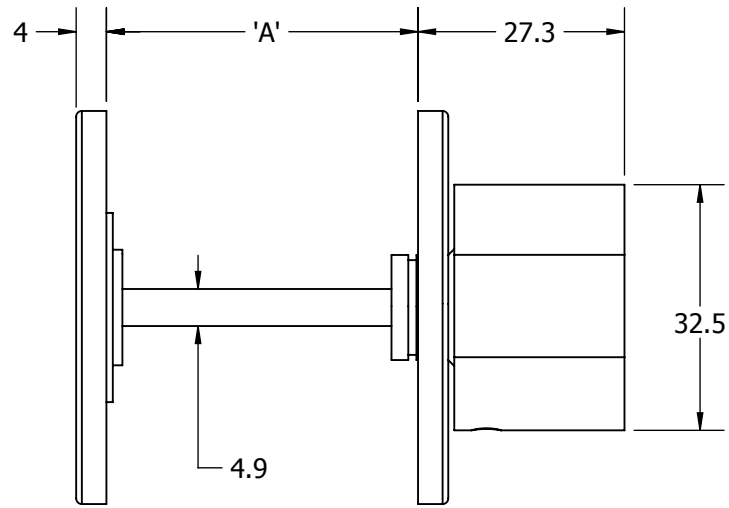
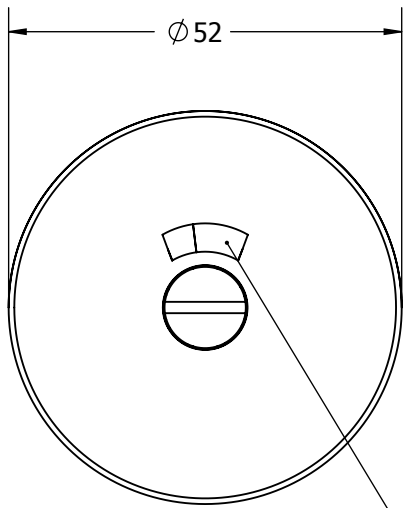
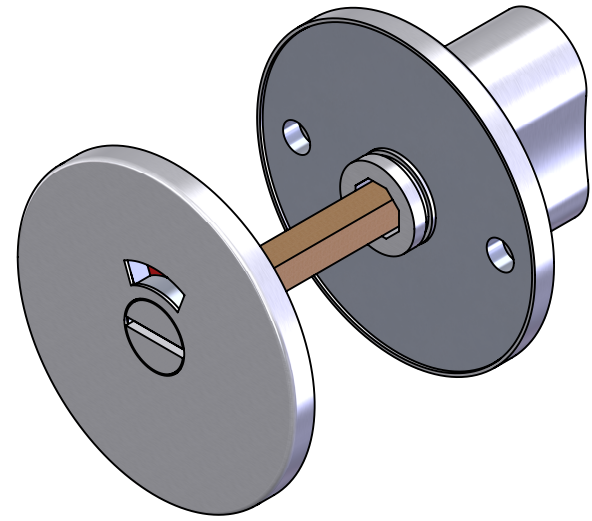


	MIN.	MAX.
'A'	39mm	51mm



RED/GREEN INDICATOR

NOTE: FOR USE WITH 3800U-55B MORTISE LOCK



HAGER RESERVES THE RIGHT TO MAKE DESIGN CHANGES WITHOUT NOTICE. CALL HAGER ENGINEERING AT 1-800-325-9995 FOR THE LATEST REVISION DATE OF TEMPLATE.

DIMENSIONS SHOWN IN MILLIMETERS.

MATERIAL	-
FINISH	US32D
DO NOT SCALE DRAWING	

DRAWN	RTHOMP	2/11/2011
ENG. APPR.	M MCRAE	3/31/2011
Q.A.		

2-669-0736		TURN INDICATOR WITH EMERGENCY RELEASE	
SIZE	DWG. NO.	REV.	
A	S-LS01171	01+	
SCALE: 1:1	WEIGHT: 27.31	SHEET 1 OF 1	