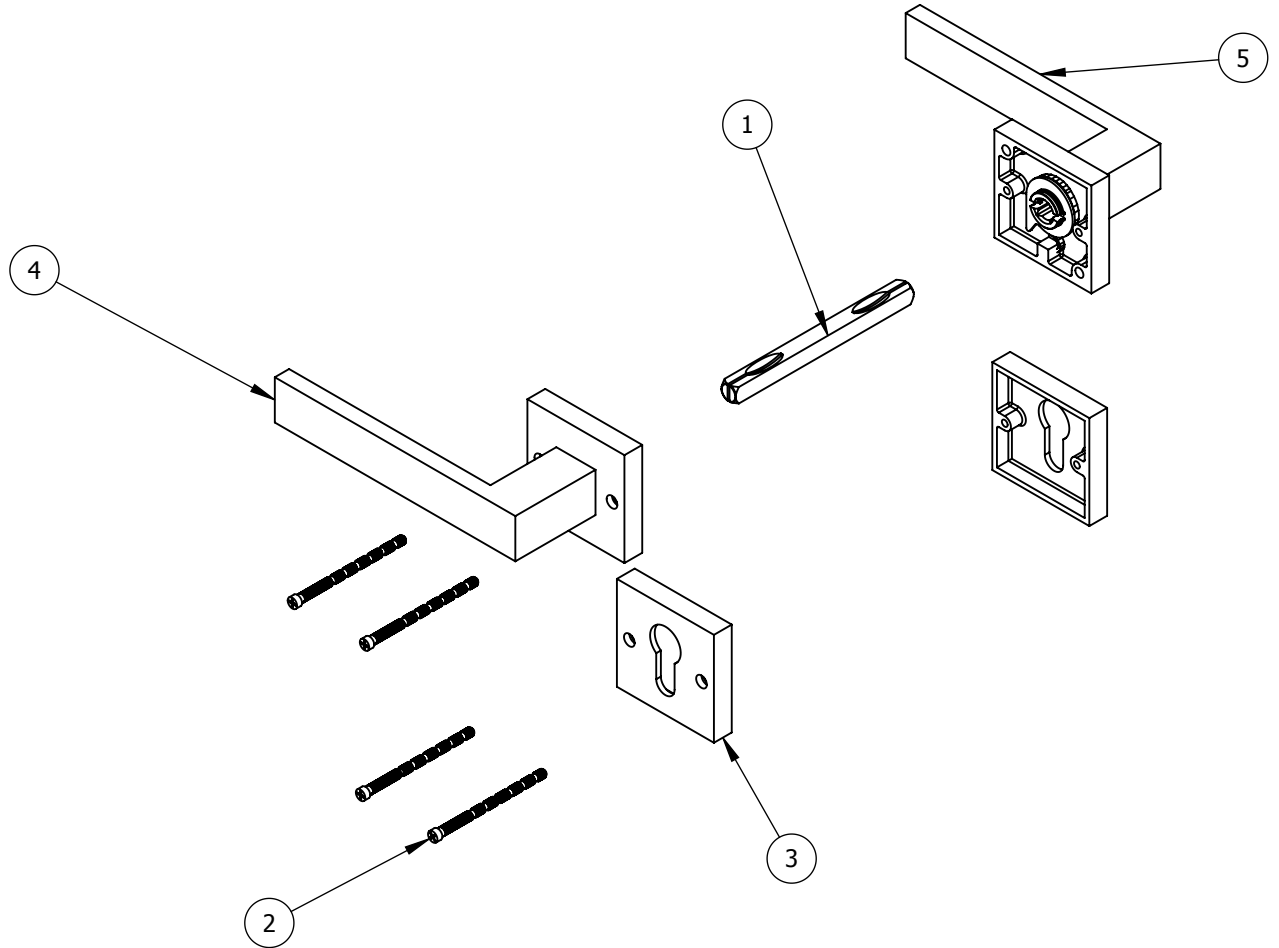



ITEM NO.	FILE NAME	QTY
1	S-LS00837	1
2	S-LS01019	4
3	S-LS01098	1
4	S-LS00991	1
5	S-LS00991	1

NOTE:
PACKAGED WITH INSTRUCTIONS AND 3mm HEX KEY
IN BLUE AND WHITE EURO LINE BOX DESIGN

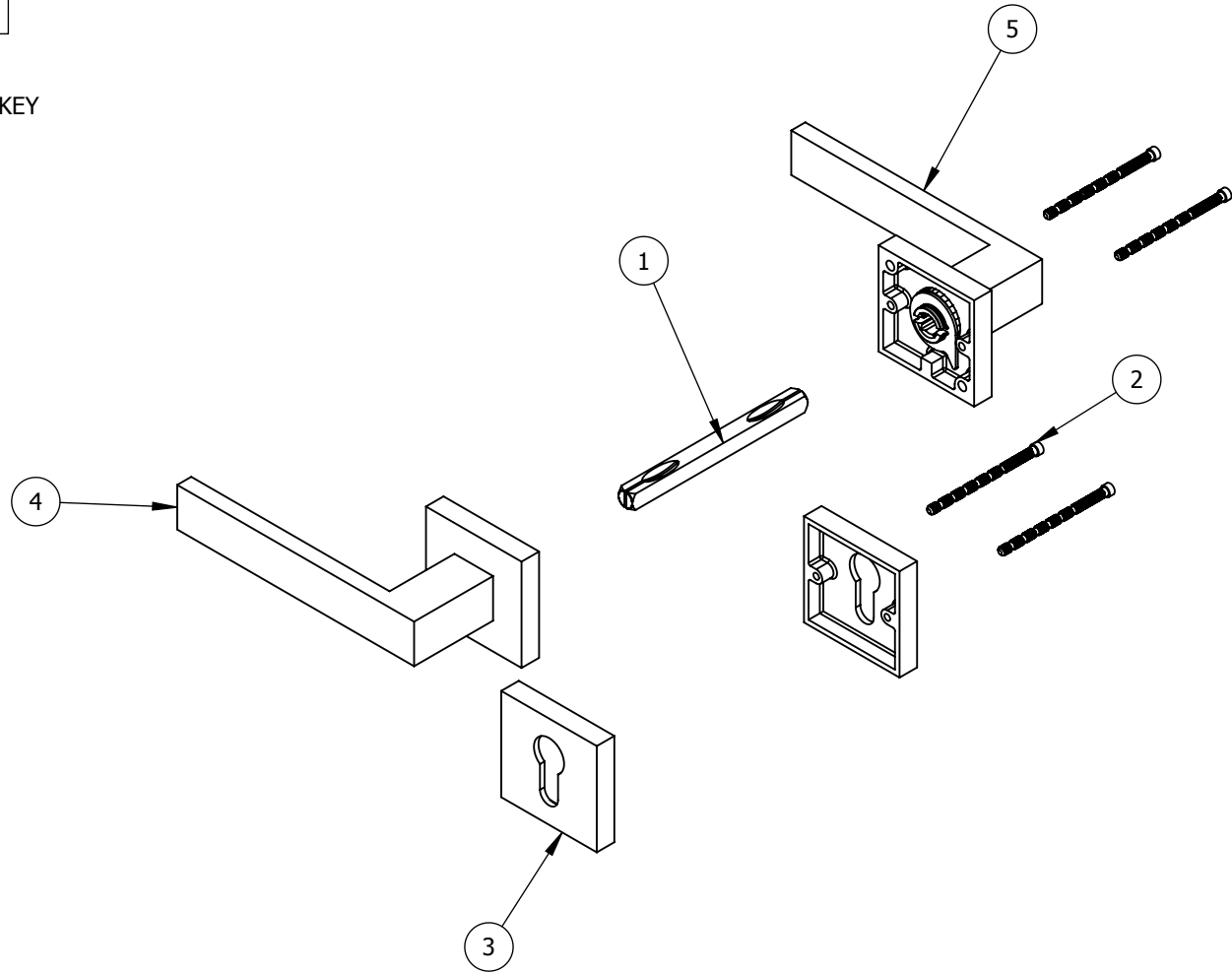


Right hand shown, see
page 2 for Left Hand


 <p>PROPRIETARY & CONFIDENTIAL THE INFORMATION CONTAINED IN THIS DRAWING IS THE SOLE PROPERTY OF HAGER COMPANIES. ANY REPRODUCTION IN PART OR AS A WHOLE WITHOUT THE WRITTEN PERMISSION OF HAGER COMPANIES IS PROHIBITED.</p>	<p>HAGER RESERVES THE RIGHT TO MAKE DESIGN CHANGES WITHOUT NOTICE. CALL HAGER ENGINEERING AT 1-800-325-9995 FOR THE LATEST REVISION DATE OF TEMPLATE.</p>	DRAWN	DRS	7/7/2014	<p>6823 RH EURO STYLE MORTISE LOCK LEVER</p>		
		ENG. APPR.	-	-			
		MATERIAL	Material <not specified>			Q.A.	
		FINISH	-			<p>TOLERANCES: FRACTIONAL: ±0.015" ANGULAR: MACH: ± 1° BEND: ±1° TWO PLACE DECIMAL: ±0.01" THREE PLACE DECIMAL: ±0.004"</p>	
DO NOT SCALE DRAWING		SIZE	DWG. NO.		REV.		
		A	S-LS01109		01		
		SCALE: 1:3	WEIGHT: 902.87		SHEET 1 OF 3		

ITEM NO.	FILE NAME	QTY
1	S-LS00837	1
2	S-LS01019	4
3	S-LS01098	1
4	S-LS00991	1
5	S-LS00991	1

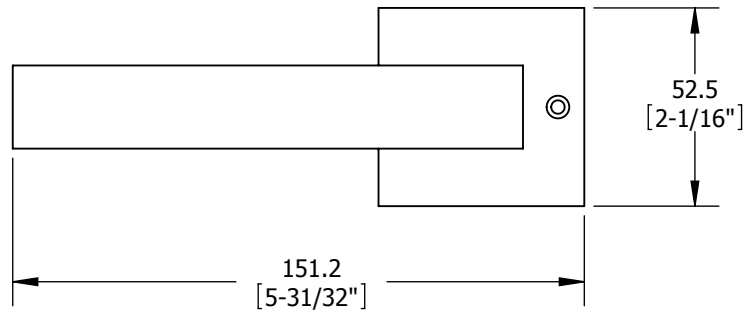
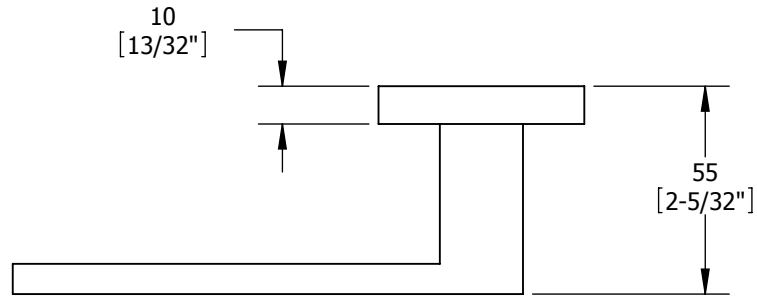
NOTE:
 PACKAGED WITH INSTRUCTIONS AND 3mm HEX KEY
 IN BLUE AND WHITE EURO LINE BOX DESIGN




Left hand shown, see
 page 1 for right hand

 PROPRIETARY & CONFIDENTIAL THE INFORMATION CONTAINED IN THIS DRAWING IS THE SOLE PROPERTY OF HAGER COMPANIES. ANY REPRODUCTION IN PART OR AS A WHOLE WITHOUT THE WRITTEN PERMISSION OF HAGER COMPANIES IS PROHIBITED.	HAGER RESERVES THE RIGHT TO MAKE DESIGN CHANGES WITHOUT NOTICE. CALL HAGER ENGINEERING AT 1-800-325-9995 FOR THE LATEST REVISION DATE OF TEMPLATE.	DRAWN	DRS	7/7/2014	6823 LH EURO STYLE MORTISE LOCK LEVER			
		ENG. APPR.	-	-				
		MATERIAL	Material <not specified>			Q.A.		
		FINISH	-			TOLERANCES: FRACTIONAL: ±0.015" ANGULAR: MACH: ± 1° BEND: ±1° TWO PLACE DECIMAL: ±0.01" THREE PLACE DECIMAL: ±0.004"		SIZE A DWG. NO. S-LS01109
DO NOT SCALE DRAWING		SCALE: 1:2	WEIGHT: 902.87		SHEET 2 OF 3			

REV.	DESCRIPTION	ECO NO.	DATE
------	-------------	---------	------



Right hand shown.

 <p>PROPRIETARY & CONFIDENTIAL THE INFORMATION CONTAINED IN THIS DRAWING IS THE SOLE PROPERTY OF HAGER COMPANIES. ANY REPRODUCTION IN PART OR AS A WHOLE WITHOUT THE WRITTEN PERMISSION OF HAGER COMPANIES IS PROHIBITED.</p>	<p>HAGER RESERVES THE RIGHT TO MAKE DESIGN CHANGES WITHOUT NOTICE. CALL HAGER ENGINEERING AT 1-800-325-9995 FOR THE LATEST REVISION DATE OF TEMPLATE.</p>	DRAWN	RTHOMP	1/12/2011	<p>6823 EURO STYLE MORTISE LOCK LEVER</p>			
		ENG. APPR.	-	-				
		MATERIAL	STAINLESS		Q.A.			
		FINISH	US32D		<p>TOLERANCES: FRACTIONAL: ±0.015" ANGULAR: MACH: ± 1° BEND: ±1° TWO PLACE DECIMAL: ±0.01" THREE PLACE DECIMAL: ±0.004"</p>		SIZE	DWG. NO.
DO NOT SCALE DRAWING		SCALE: 1:2		WEIGHT: 902.87	<p>A S-LS01109</p>		01	SHEET 3 OF 3