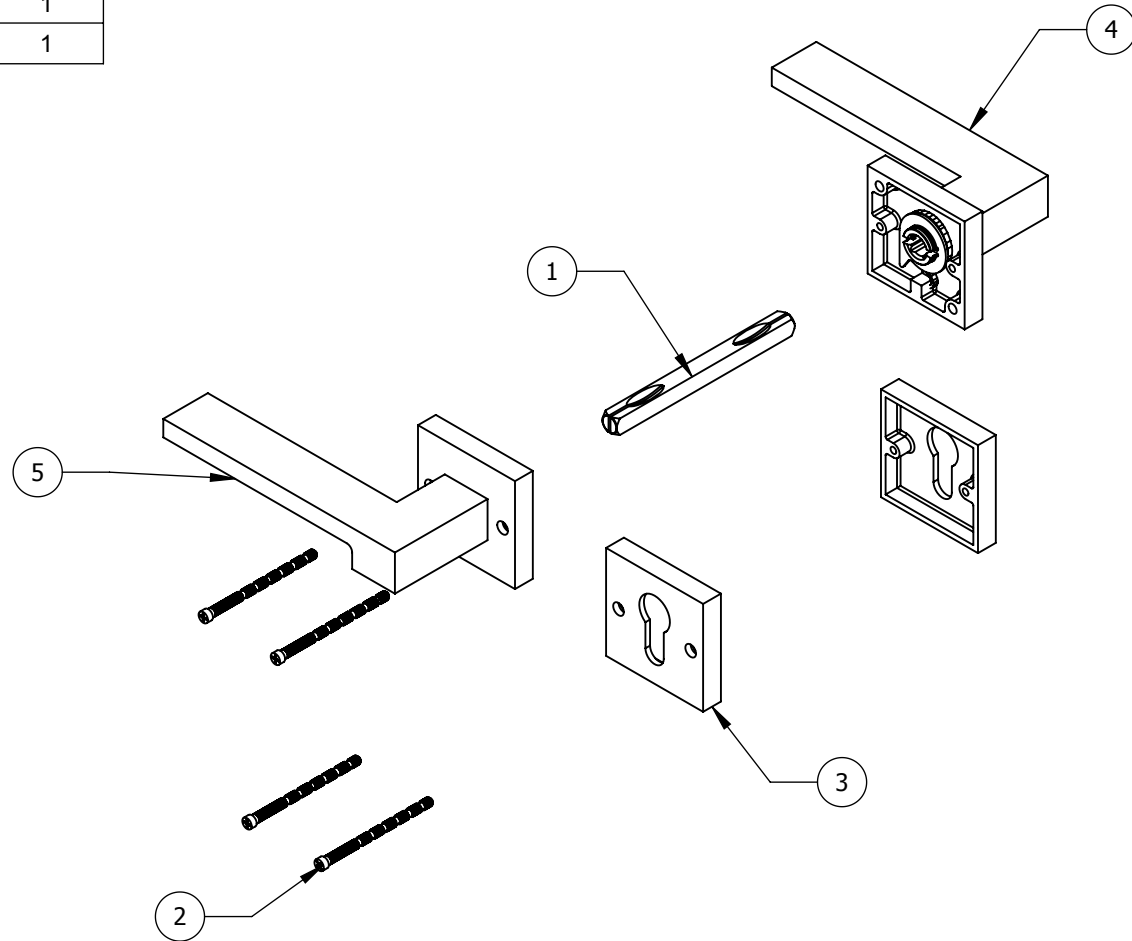



| ITEM NO. | FILE NAME | QTY. |
|----------|-----------------|------|
| 1 | S-LS00837 | 1 |
| 2 | S-LS01019 | 4 |
| 3 | S-LS01098 | 1 |
| 4 | S-LS01103-RIGHT | 1 |
| 5 | S-LS01103-LEFT | 1 |

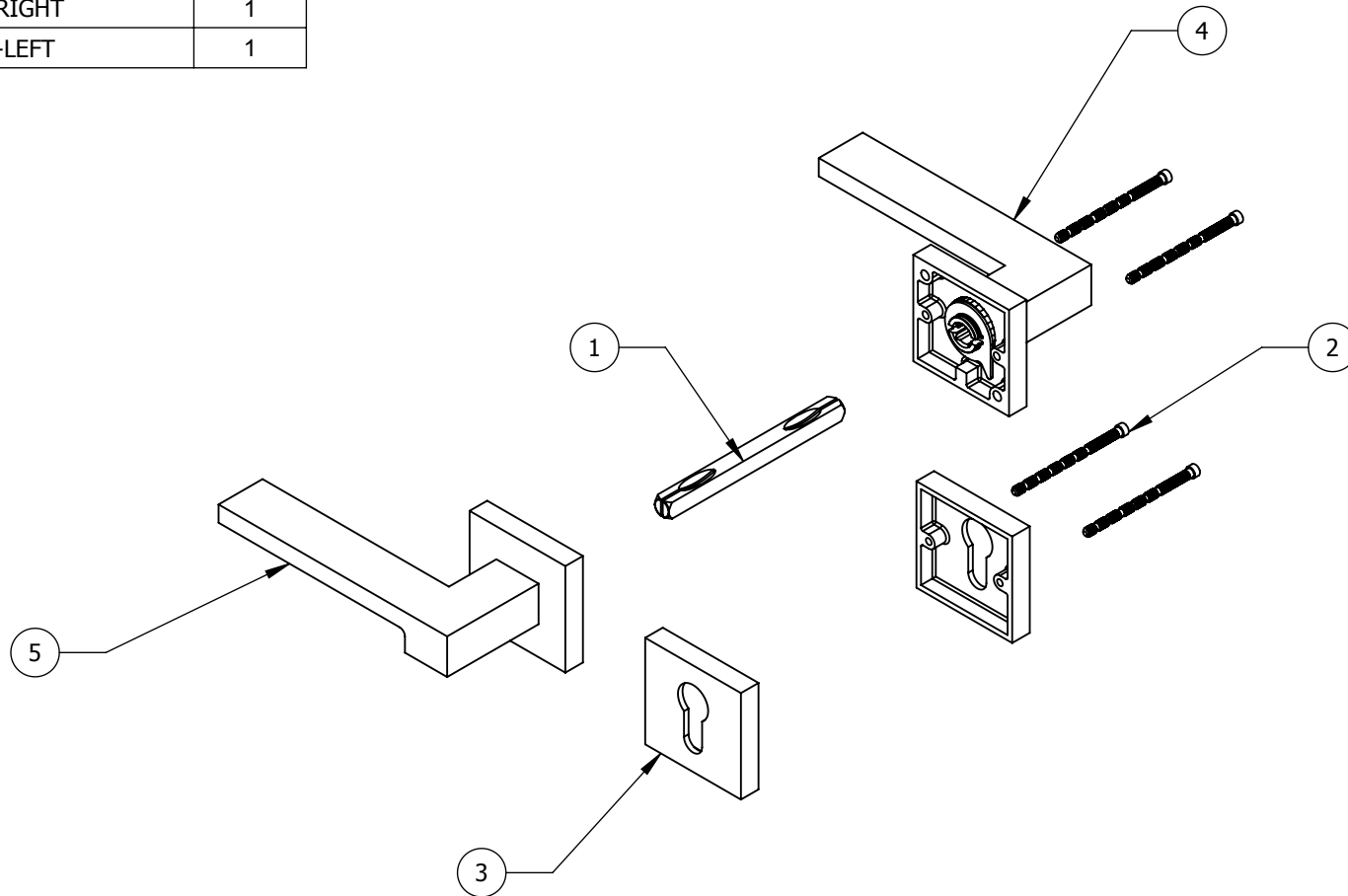
| REV. | DESCRIPTION | ECO NO. | DATE |
|------|----------------------------------|---------|-----------|
| 01 | Updated with counter bored screw | | 6/27/2014 |



Right hand shown, see page 2 for Left Hand

| | | | | | |
|---|--|------------------------|--|--|--|
|  PROPRIETARY & CONFIDENTIAL THE INFORMATION CONTAINED IN THIS DRAWING IS THE SOLE PROPERTY OF HAGER COMPANIES. ANY REPRODUCTION IN PART OR AS A WHOLE WITHOUT THE WRITTEN PERMISSION OF HAGER COMPANIES IS PROHIBITED. | HAGER RESERVES THE RIGHT TO MAKE DESIGN CHANGES WITHOUT NOTICE. CALL HAGER ENGINEERING AT 1-800-325-9995 FOR THE LATEST REVISION DATE OF TEMPLATE. | DRAWN RTHOMP 6/29/2011 | 6831 RH EURO STYLE MORTISE LOCK LEVER | | |
| | | ENG. APPR. - - | | | |
| | | MATERIAL STAINLESS | Q.A. | TOLERANCES: FRACTIONAL: ±0.015" ANGULAR: MACH: ± 1° BEND: ±1° TWO PLACE DECIMAL: ±0.01" THREE PLACE DECIMAL: ±0.004" | SIZE A DWG. NO. S-LS01105 REV. 01 |
| | | FINISH US32D | DO NOT SCALE DRAWING | SCALE: 1:3 | WEIGHT: 1422.25 |

| ITEM NO. | FILE NAME | QTY. |
|----------|-----------------|------|
| 1 | S-LS00837 | 1 |
| 2 | S-LS01019 | 4 |
| 3 | S-LS01098 | 1 |
| 4 | S-LS01103-RIGHT | 1 |
| 5 | S-LS01103-LEFT | 1 |



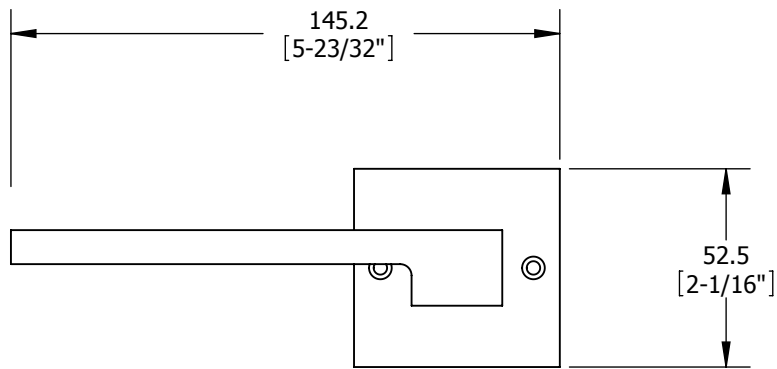
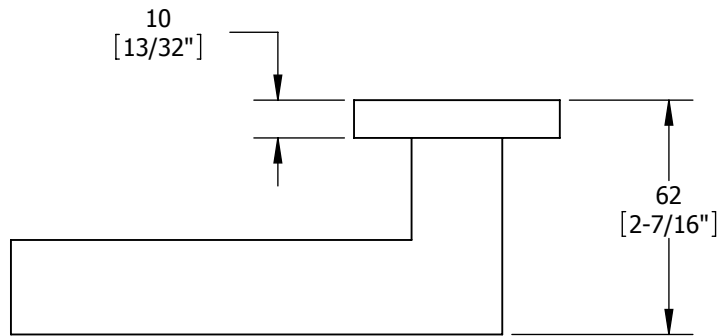
Left hand shown, see page 1 for right hand




PROPRIETARY & CONFIDENTIAL
 THE INFORMATION CONTAINED IN THIS DRAWING IS THE SOLE PROPERTY OF HAGER COMPANIES. ANY REPRODUCTION IN PART OR AS A WHOLE WITHOUT THE WRITTEN PERMISSION OF HAGER COMPANIES IS PROHIBITED.

HAGER RESERVES THE RIGHT TO MAKE DESIGN CHANGES WITHOUT NOTICE. CALL HAGER ENGINEERING AT 1-800-325-9995 FOR THE LATEST REVISION DATE OF TEMPLATE.

| | | | | | |
|----------------------|------------|-----|--|--|-----------------|
| | DRAWN | DRS | 7/7/2014 | 6831 LH EURO STYLE MORTISE LOCK LEVER | |
| | ENG. APPR. | - | - | | |
| MATERIAL | STAINLESS | | Q.A. | | |
| FINISH | US32D | | TOLERANCES: FRACTIONAL: ±0.015" ANGULAR: MACH: ± 1° BEND: ±1° TWO PLACE DECIMAL: ±0.01" THREE PLACE DECIMAL: ±0.004" | | SIZE |
| DO NOT SCALE DRAWING | | | SCALE: 1:3 | | WEIGHT: 1422.25 |
| | | | | DWG. NO. | REV. |
| | | | | A S-LS01105 | 01 |
| | | | | SHEET 2 OF 3 | |



Right hand shown.

| | | | | | | |
|---|--|------------|-----------------|--|--|--|
|  PROPRIETARY & CONFIDENTIAL THE INFORMATION CONTAINED IN THIS DRAWING IS THE SOLE PROPERTY OF HAGER COMPANIES. ANY REPRODUCTION IN PART OR AS A WHOLE WITHOUT THE WRITTEN PERMISSION OF HAGER COMPANIES IS PROHIBITED. | HAGER RESERVES THE RIGHT TO MAKE DESIGN CHANGES WITHOUT NOTICE. CALL HAGER ENGINEERING AT 1-800-325-9995 FOR THE LATEST REVISION DATE OF TEMPLATE. | DRAWN | RTHOMP | 6/29/2011 | 6831 EURO STYLE MORTISE LOCK LEVER | |
| | | ENG. APPR. | - | - | | |
| | | MATERIAL | STAINLESS | Q.A. | | |
| | | FINISH | US32D | TOLERANCES: FRACTIONAL: ±0.015" ANGULAR: MACH: ± 1° BEND: ±1° TWO PLACE DECIMAL: ±0.01" THREE PLACE DECIMAL: ±0.004" | | |
| DO NOT SCALE DRAWING | | SIZE | DWG. NO. | | REV. | |
| | | A | S-LS01105 | | 01 | |
| | | SCALE: 1:2 | WEIGHT: 1422.25 | | SHEET 3 OF 3 | |