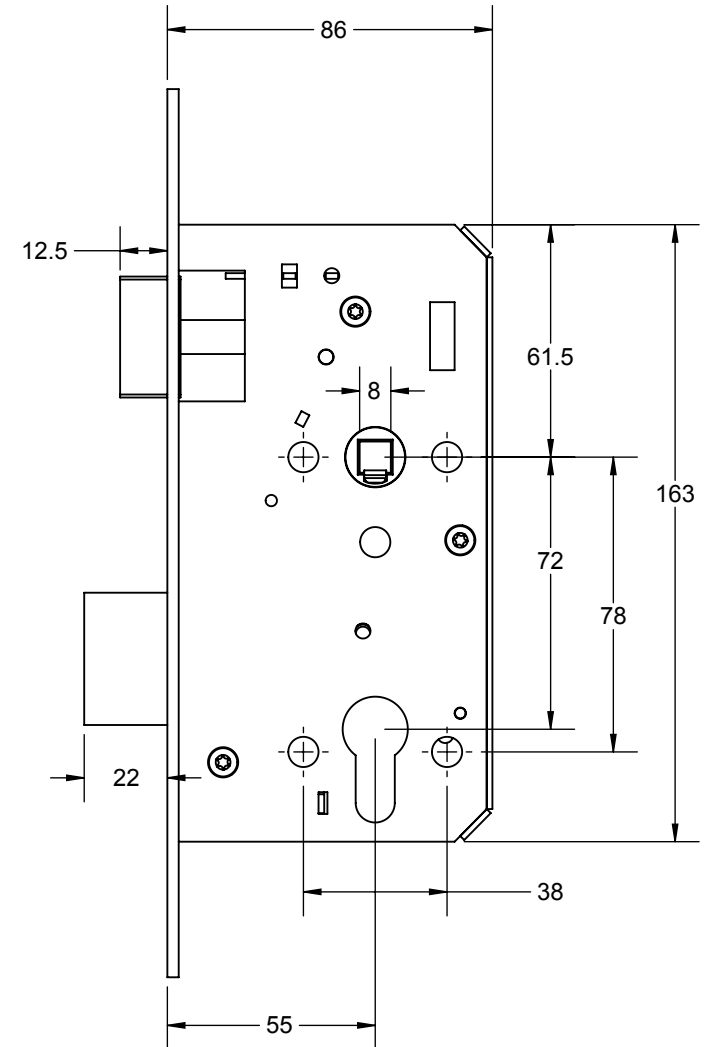
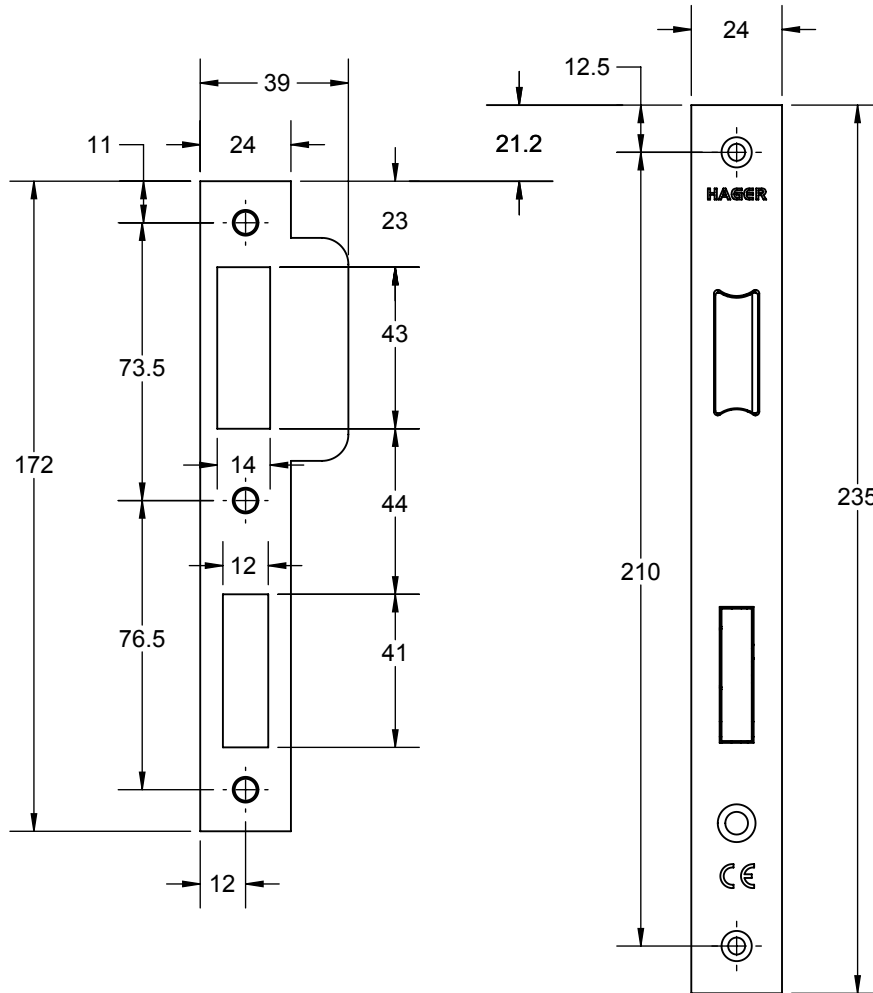


REV.	DESCRIPTION	ECO NO.	DATE
02	REMOVED DUST BOX	IM10004	12/1/2010
03	ADDED SPRING CLIP	IM10004	12/7/2010



**PROPRIETARY & CONFIDENTIAL**  
 THE INFORMATION CONTAINED  
 IN THIS DRAWING IS THE SOLE  
 PROPERTY OF HAGER  
 COMPANIES. ANY REPRODUCTION  
 IN PART OR AS A WHOLE WITHOUT  
 THE WRITTEN PERMISSION OF  
 HAGER COMPANIES IS PROHIBITED.

HAGER RESERVES  
 THE RIGHT TO  
 MAKE DESIGN  
 CHANGES  
 WITHOUT NOTICE.  
 CALL HAGER  
 ENGINEERING AT  
 1-800-325-9995  
 FOR THE LATEST  
 REVISION DATE  
 OF TEMPLATE.

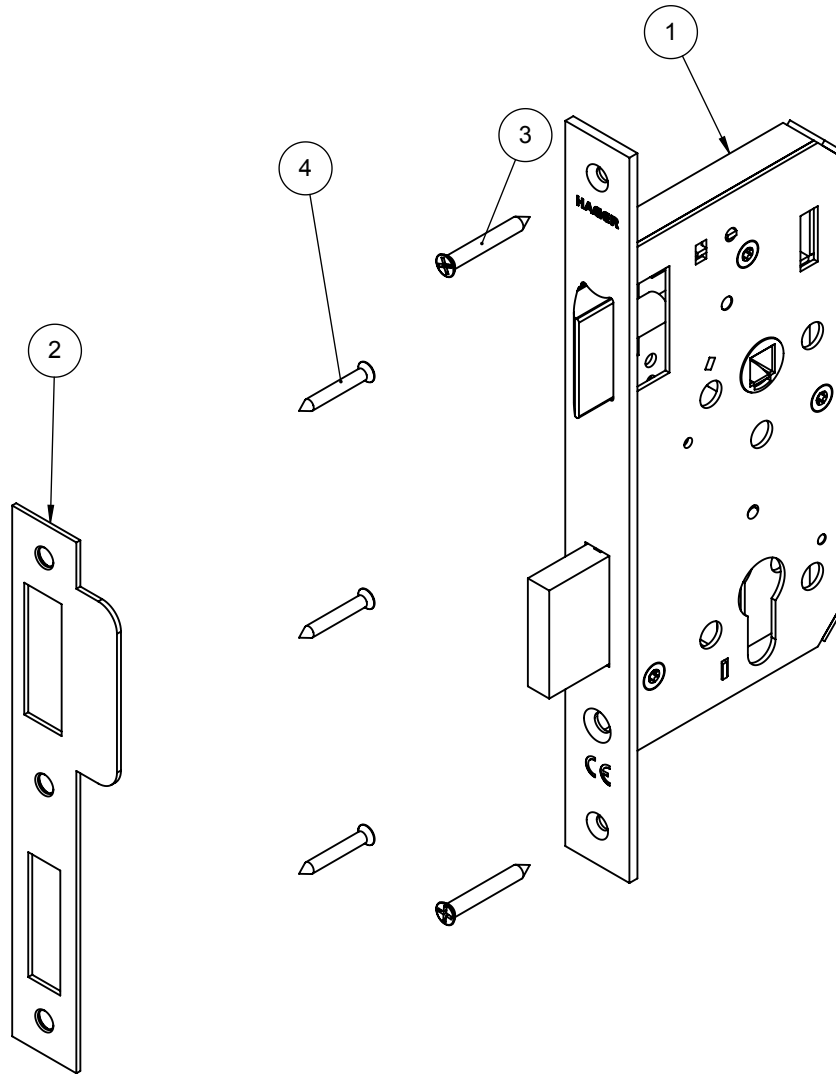
	DRAWN	DRS	5/6/2014
	ENG. APPR.	-	-
MATERIAL	Material <not specified>		
FINISH	US32D		
DO NOT SCALE DRAWING			
TOLERANCES: FRACTIONAL: $\pm 0.015"$ ANGULAR: MACH: $\pm 1^\circ$ BEND: $\pm 1^\circ$ TWO PLACE DECIMAL: $\pm 0.01"$ THREE PLACE DECIMAL: $\pm 0.004"$			


**3800U-55S**  
**EUROLINE SASH MORTISE LOCK**

SIZE	DWG. NO.	REV.
<b>A</b>	<b>S-LS01037</b>	<b>C</b>
SCALE: 1:2	WEIGHT: 93.96	SHEET 1 OF 2

ITEM NO.	PART NUMBER	QTY.
1	3800U-55S - Body	1
2	3800U - Double Strike	1
3	#8 x 1" FPHWS	2
4	#6 x 3/4" FPHWS	3
5	INSTRUCTION SHEET (NOT SHOWN)	1

NOTE: PACKAGED IN BLUE AND WHITE EUROLINE BOX DESIGN



 <b>PROPRIETARY &amp; CONFIDENTIAL</b> THE INFORMATION CONTAINED IN THIS DRAWING IS THE SOLE PROPERTY OF HAGER COMPANIES. ANY REPRODUCTION IN PART OR AS A WHOLE WITHOUT THE WRITTEN PERMISSION OF HAGER COMPANIES IS PROHIBITED.	HAGER RESERVES THE RIGHT TO MAKE DESIGN CHANGES WITHOUT NOTICE. CALL HAGER ENGINEERING AT 1-800-325-9995 FOR THE LATEST REVISION DATE OF TEMPLATE.	DRAWN	DRS	5/6/2014	<b>3800U-55S</b> <b>EUROLINE SASH MORTISE LOCK</b>		
		MATERIAL	Material <not specified>				ENG. APPR.
		FINISH	US32D		Q.A.		
		DO NOT SCALE DRAWING		TOLERANCES: FRACTIONAL: ±0.015" ANGULAR: MACH: ± 1° BEND: ±1° TWO PLACE DECIMAL: ±0.01" THREE PLACE DECIMAL: ±0.004"		SIZE	DWG. NO.
		A		S-LS01037		C	
		SCALE: 1:2		WEIGHT: 93.96		SHEET 2 OF 2	