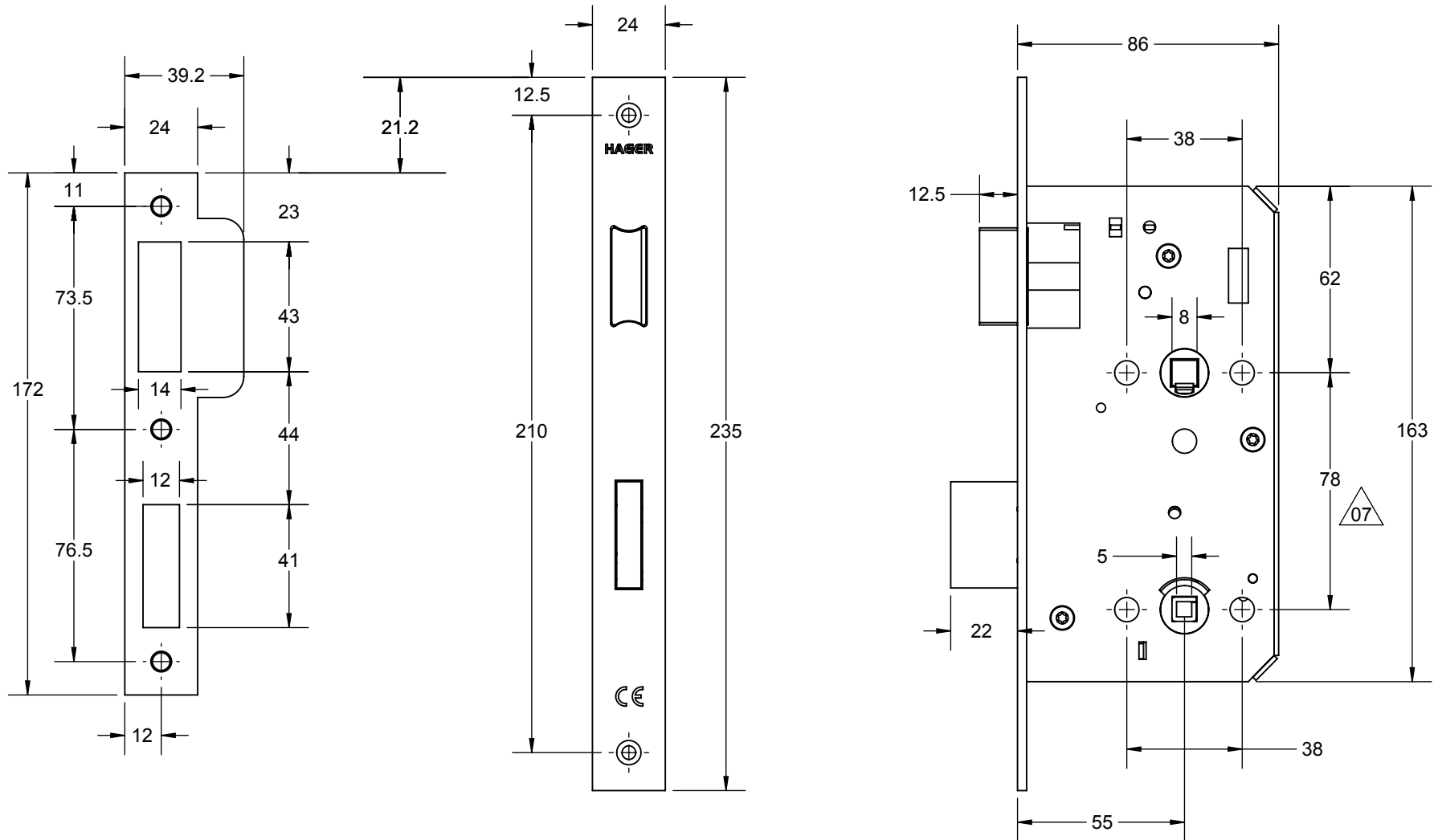


REV.	DESCRIPTION	ECO NO.	DATE
06	ADDED THUMBTURN SLEEVE	IM10004	7/5/2011
07	CORRECTED CTC DIMENSION TO 78MM	IM12003	3/12/2012



PROPRIETARY & CONFIDENTIAL
 THE INFORMATION CONTAINED IN THIS DRAWING IS THE SOLE PROPERTY OF HAGER COMPANIES. ANY REPRODUCTION IN PART OR AS A WHOLE WITHOUT THE WRITTEN PERMISSION OF HAGER COMPANIES IS PROHIBITED.

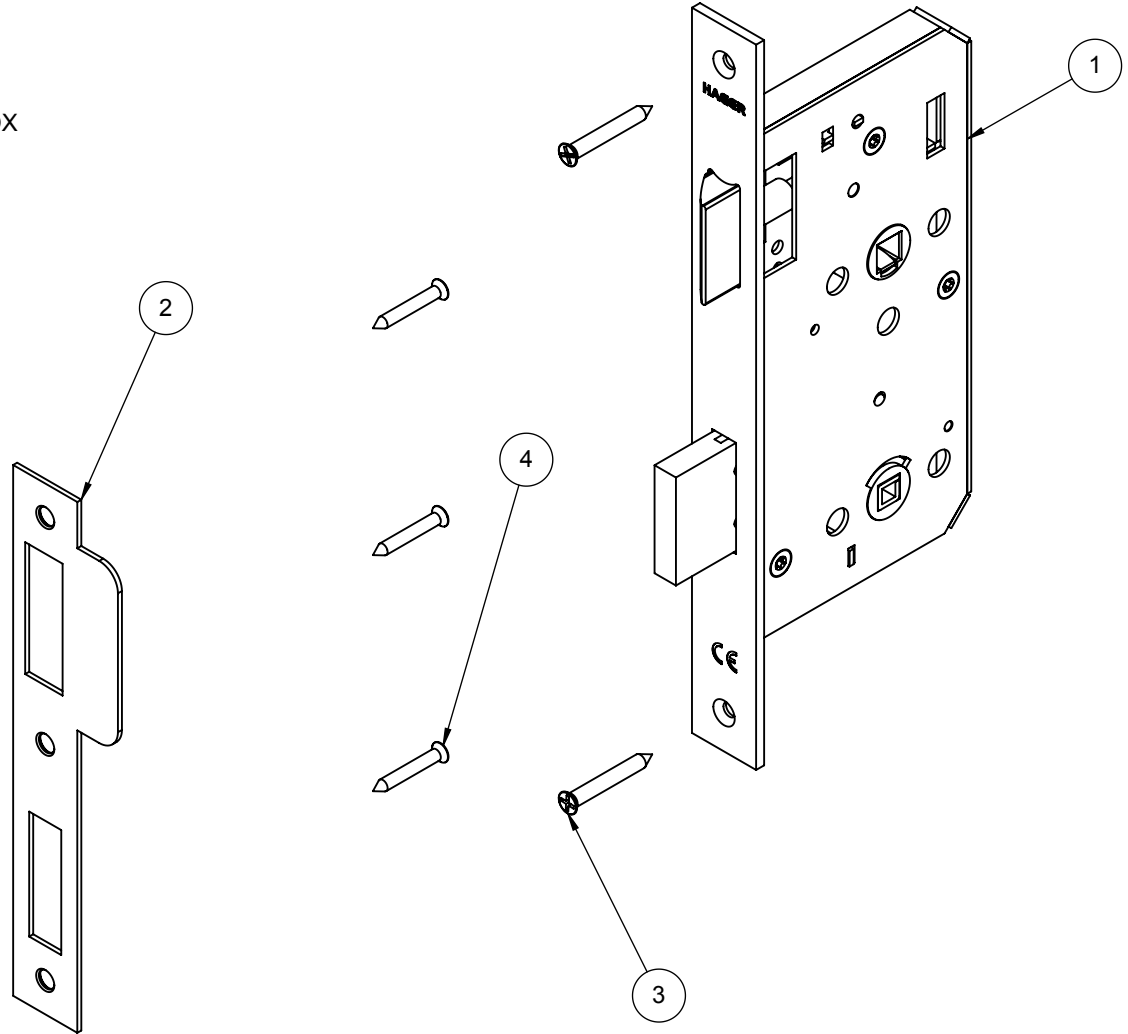
HAGER RESERVES THE RIGHT TO MAKE DESIGN CHANGES WITHOUT NOTICE. CALL HAGER ENGINEERING AT 1-800-325-9995 FOR THE LATEST REVISION DATE OF TEMPLATE.

MATERIAL Material <not specified>	DRAWN	DRS	5/6/2014
	ENG. APPR.	-	-
FINISH US32D	Q.A.		
	TOLERANCES: FRACTIONAL: $\pm 0.015''$ ANGULAR: MACH: $\pm 1^\circ$ BEND: $\pm 1^\circ$ TWO PLACE DECIMAL: $\pm 0.01''$ THREE PLACE DECIMAL: $\pm 0.004''$		
DO NOT SCALE DRAWING			

3800U-55B EUROLINE BATHROOM MORTISE LOCK		SIZE	DWG. NO.	REV.
		A	S-LS01030	G
SCALE: 1:2	WEIGHT: 118.47	SHEET 1 OF 2		

ITEM NO.	PART NUMBER	QTY.
1	3800U-55S - Body	1
2	3800U Double Strike	1
3	#8 x 1" FPHWS	2
4	#6 x 3/4" FPHWS	3
5	INSTRUCTION SHEET (NOT SHOWN)	1

NOTE: PACKAGED IN BLUE AND WHITE EUROLINE DESIGN BOX



PROPRIETARY & CONFIDENTIAL
 THE INFORMATION CONTAINED
 IN THIS DRAWING IS THE SOLE
 PROPERTY OF HAGER
 COMPANIES. ANY REPRODUCTION
 IN PART OR AS A WHOLE WITHOUT
 THE WRITTEN PERMISSION OF
 HAGER COMPANIES IS PROHIBITED.

HAGER RESERVES
 THE RIGHT TO
 MAKE DESIGN
 CHANGES
 WITHOUT NOTICE.
 CALL HAGER
 ENGINEERING AT
 1-800-325-9995
 FOR THE LATEST
 REVISION DATE
 OF TEMPLATE.

	DRAWN	DRS	5/6/2014
	ENG. APPR.	-	-
MATERIAL	Q.A.		
FINISH	TOLERANCES: FRACTIONAL: $\pm 0.015"$ ANGULAR: MACH: $\pm 1^\circ$ BEND: $\pm 1^\circ$ TWO PLACE DECIMAL: $\pm 0.01"$ THREE PLACE DECIMAL: $\pm 0.004"$		
DO NOT SCALE DRAWING			

3800U-55B
EUROLINE BATHROOM MORTISE
LOCK

SIZE	DWG. NO.	REV.
A	S-LS01030	G
SCALE: 1:2	WEIGHT:	SHEET 2 OF 2