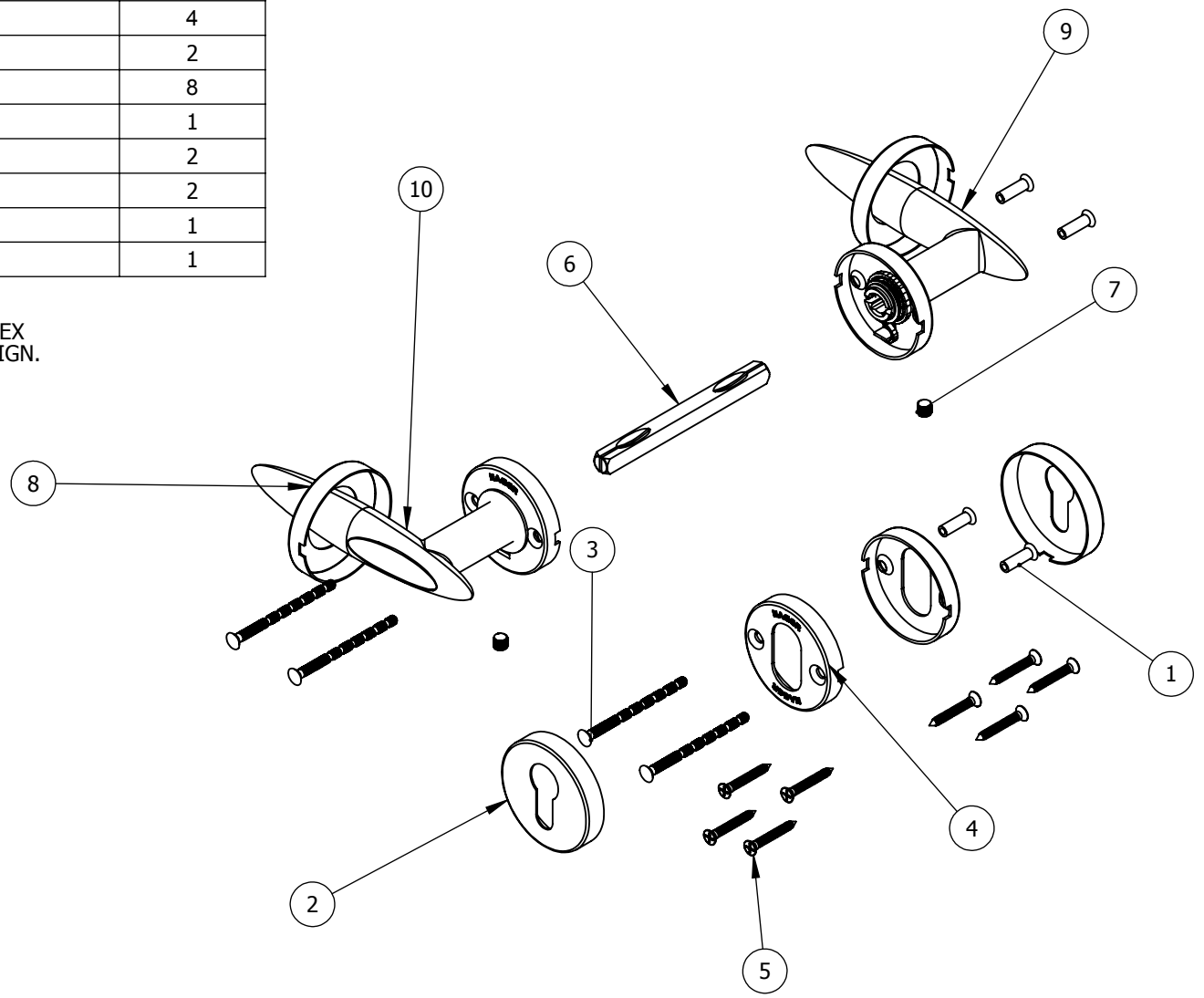


BOM Table(Restructured)		
ITEM NO.	PART NUMBER	QTY.
1	S-LS01018	4
2	S-LS01015	2
3	S-LS01019	4
4	S-LS01014	2
5	FPHWS #7 x 20mm	8
6	S-LS00837	1
7	S-LS01023	2
8	S-LS01020	2
9	6810 LEFT HAND LEVER	1
10	6810 RIGHT HAND LEVER	1

REV.	DESCRIPTION	ECO NO.	DATE
------	-------------	---------	------

NOTE:
PACKAGED WITH INSTRUCTIONS AND 3mm HEX
KEY IN BLUE AND WHITE EUROLINE BOX DESIGN.

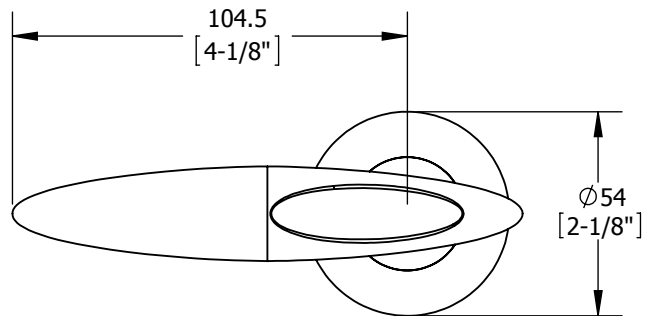
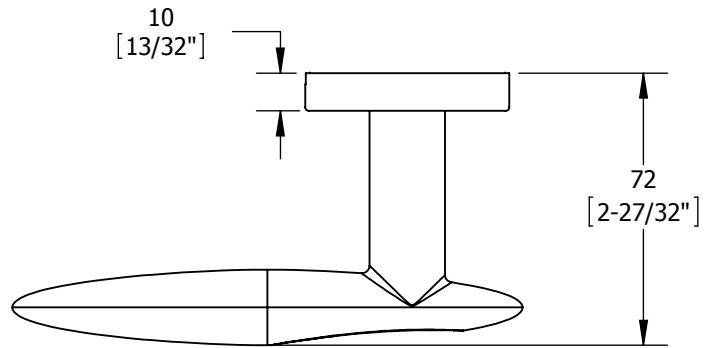


PROPRIETARY & CONFIDENTIAL
THE INFORMATION CONTAINED
IN THIS DRAWING IS THE SOLE
PROPERTY OF HAGER
COMPANIES. ANY REPRODUCTION
IN PART OR AS A WHOLE WITHOUT
THE WRITTEN PERMISSION OF
HAGER COMPANIES IS PROHIBITED.

HAGER RESERVES
THE RIGHT TO
MAKE DESIGN
CHANGES
WITHOUT NOTICE.
CALL HAGER
ENGINEERING AT
1-800-325-9995
FOR THE LATEST
REVISION DATE
OF TEMPLATE.

DRAWN	RTHOMP	6/21/2011
ENG. APPR.	-	-
MATERIAL	STAINLESS	
FINISH	US32D	
DO NOT SCALE DRAWING		
TOLERANCES: FRACTIONAL: ±0.015" ANGULAR: MACH: ± 1° BEND: ±1° TWO PLACE DECIMAL: ±0.01" THREE PLACE DECIMAL: ±0.004"		

6810		EURO STYLE MORTISE LOCK LEVER
S-LS00347		
SIZE	DWG. NO.	REV.
A	S-LS00347	
SCALE: 1:8	WEIGHT: 436.13	SHEET 2 OF 3



PROPRIETARY & CONFIDENTIAL
 THE INFORMATION CONTAINED
 IN THIS DRAWING IS THE SOLE
 PROPERTY OF HAGER
 COMPANIES. ANY REPRODUCTION
 IN PART OR AS A WHOLE WITHOUT
 THE WRITTEN PERMISSION OF
 HAGER COMPANIES IS PROHIBITED.

HAGER RESERVES
 THE RIGHT TO
 MAKE DESIGN
 CHANGES
 WITHOUT NOTICE.
 CALL HAGER
 ENGINEERING AT
 1-800-325-9995
 FOR THE LATEST
 REVISION DATE
 OF TEMPLATE.

MATERIAL	Material <not specified>
FINISH	-
DO NOT SCALE DRAWING	

DRAWN	RCT	1/1/2008
ENG. APPR.	-	-
Q.A.		
TOLERANCES:		
FRACTIONAL: ±0.015"		
ANGULAR: MACH: ± 1° BEND: ±1°		
TWO PLACE DECIMAL: ±0.01"		
THREE PLACE DECIMAL: ±0.004"		

6810		6810 EURO LEVER ASSEMBLY	
SIZE	DWG. NO.	REV.	
A	S-LS00347		
SCALE: 1:8	WEIGHT: 436.13	SHEET 3 OF 3	