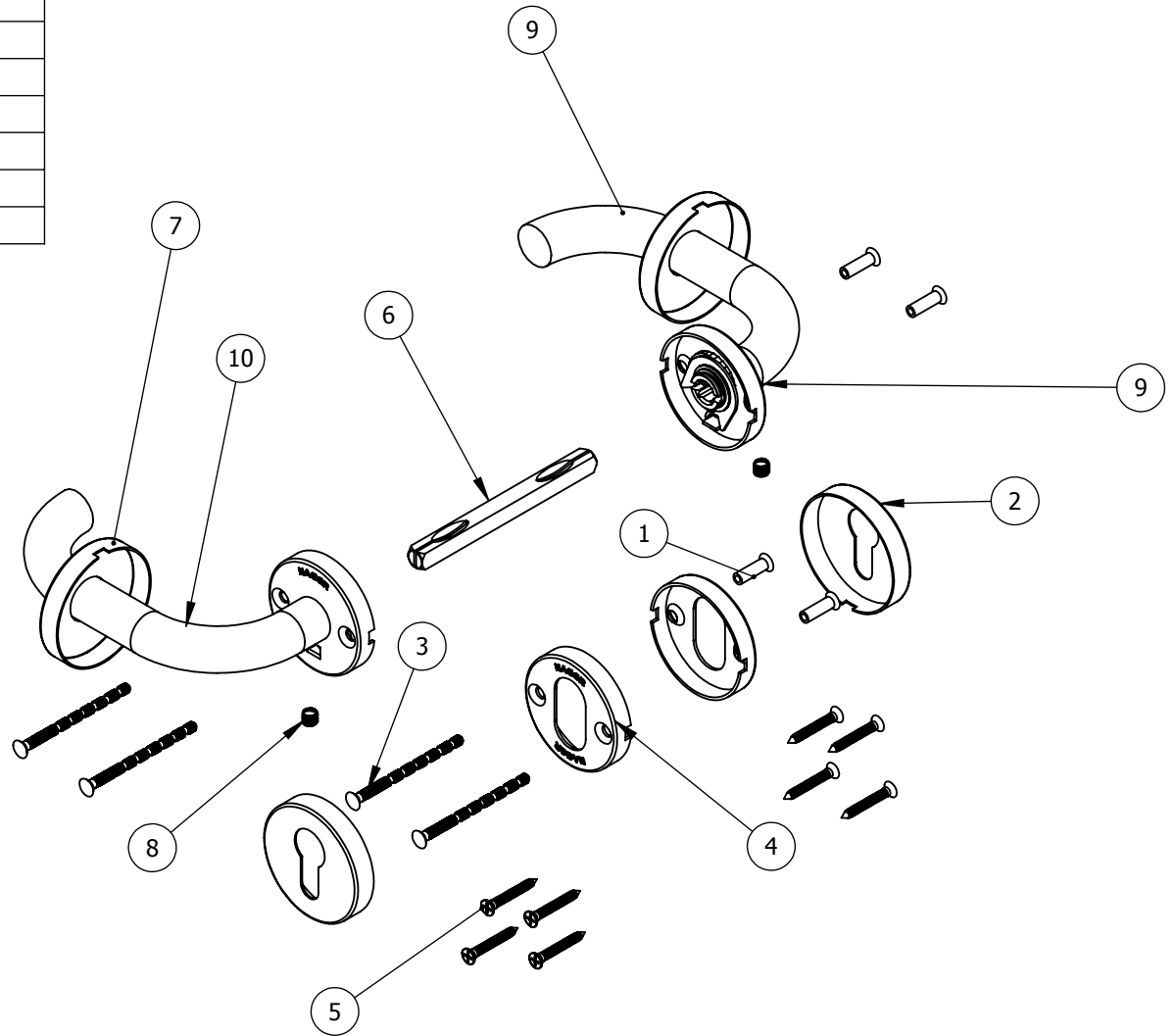


BOM Table(Restructured)		
ITEM NO.	PART NUMBER	QTY.
1	S-LS01018	4
2	S-LS01015	2
3	S-LS01019	4
4	S-LS01014	2
5	#7 x 22mm FPHWS	8
6	S-LS00837	1
7	S-LS01020	2
8	S-LS01023	2
9	6802 LEFT HAND LEVER	1
10	6802 RIGHT HAND LEVER	1

REV.	DESCRIPTION	ECO NO.	DATE
------	-------------	---------	------

NOTE:  
PACKAGED WITH INSTRUCTIONS AND 3mm HEX  
KEY IN BLUE AND WHITE EUROLINE BOX DESIGN

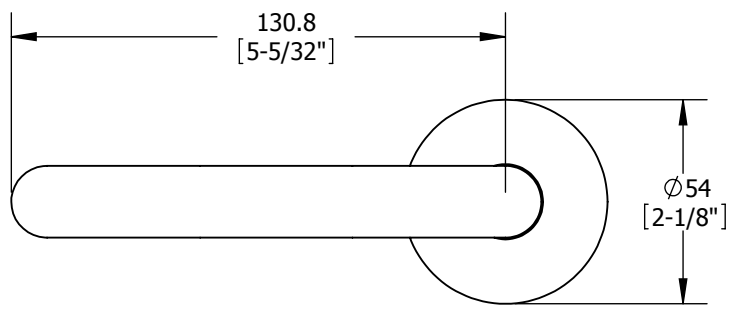
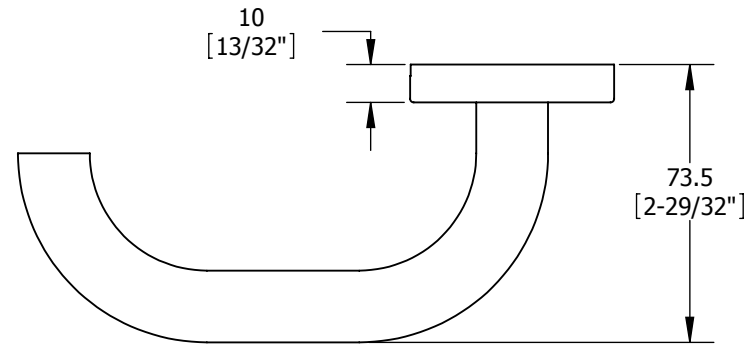



**PROPRIETARY & CONFIDENTIAL**  
THE INFORMATION CONTAINED  
IN THIS DRAWING IS THE SOLE  
PROPERTY OF HAGER  
COMPANIES. ANY REPRODUCTION  
IN PART OR AS A WHOLE WITHOUT  
THE WRITTEN PERMISSION OF  
HAGER COMPANIES IS PROHIBITED.

HAGER RESERVES  
THE RIGHT TO  
MAKE DESIGN  
CHANGES  
WITHOUT NOTICE.  
CALL HAGER  
ENGINEERING AT  
1-800-325-9995  
FOR THE LATEST  
REVISION DATE  
OF TEMPLATE.

DRAWN	RTHOMP	1/12/2011
ENG. APPR.	-	-
MATERIAL	SS304	
FINISH	US32D	
DO NOT SCALE DRAWING		
TOLERANCES: FRACTIONAL: ±0.015" ANGULAR: MACH: ±1° BEND: ±1° TWO PLACE DECIMAL: ±0.01" THREE PLACE DECIMAL: ±0.004"		

6802		EURO STYLE MORTISE LOCK LEVER
SIZE DWG. NO.		
A	S-LS00344	REV.
SCALE: 1:8	WEIGHT: 336.74	SHEET 1 OF 2



 <p><b>PROPRIETARY &amp; CONFIDENTIAL</b> THE INFORMATION CONTAINED IN THIS DRAWING IS THE SOLE PROPERTY OF HAGER COMPANIES. ANY REPRODUCTION IN PART OR AS A WHOLE WITHOUT THE WRITTEN PERMISSION OF HAGER COMPANIES IS PROHIBITED.</p>	<p>HAGER RESERVES THE RIGHT TO MAKE DESIGN CHANGES WITHOUT NOTICE. CALL HAGER ENGINEERING AT 1-800-325-9995 FOR THE LATEST REVISION DATE OF TEMPLATE.</p>	DRAWN	RTHOMP	1/12/2011	<p>6802 EURO STYLE MORTISE LOCK LEVER</p>		
		MATERIAL	STAINLESS STEEL				ENG. APPR.
		FINISH	US32D		Q.A.		<p>SIZE <b>A</b> DWG. NO. S-LS00344</p>
		DO NOT SCALE DRAWING		<p>TOLERANCES: FRACTIONAL: ±0.015" ANGULAR: MACH: ±1° BEND: ±1° TWO PLACE DECIMAL: ±0.01" THREE PLACE DECIMAL: ±0.004"</p>		SCALE: 1:8	WEIGHT: 336.74