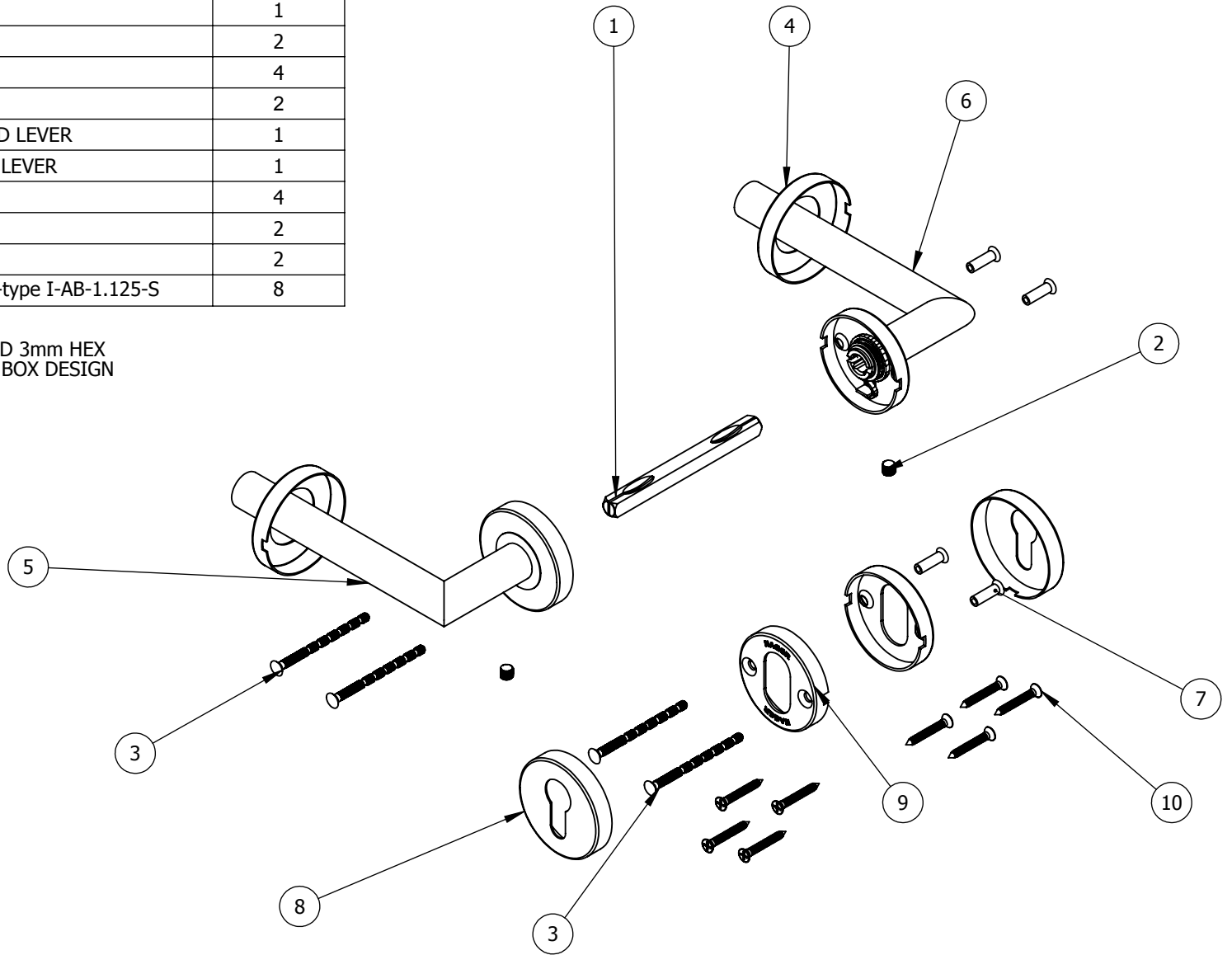


BOM Table(Restructured)		
ITEM NO.	PART NUMBER	QTY.
1	S-LS00837	1
2	S-LS01023	2
3	S-LS01019	4
4	S-LS01020	2
5	6803 RIGHT HANDED LEVER	1
6	6803 LEFT HANDED LEVER	1
7	S-LS01018	4
8	S-LS01015	2
9	S-LS01014	2
10	FLATCKT 0.151-19-type I-AB-1.125-S	8

NOTE:
PACKAGED WITH INSTRUCTIONS AND 3mm HEX
KEY IN BLUE AND WHITE EUROLINE BOX DESIGN



REV.	DESCRIPTION	ECO NO.	DATE
------	-------------	---------	------

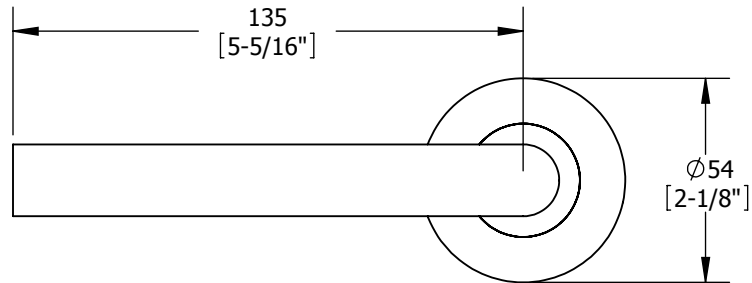
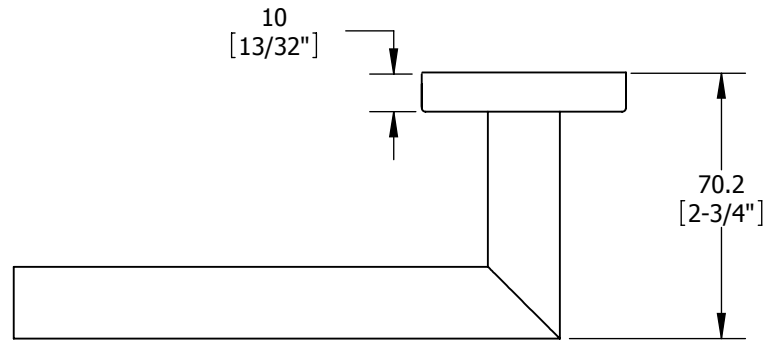


PROPRIETARY & CONFIDENTIAL
THE INFORMATION CONTAINED
IN THIS DRAWING IS THE SOLE
PROPERTY OF HAGER
COMPANIES. ANY REPRODUCTION
IN PART OR AS A WHOLE WITHOUT
THE WRITTEN PERMISSION OF
HAGER COMPANIES IS PROHIBITED.

HAGER RESERVES
THE RIGHT TO
MAKE DESIGN
CHANGES
WITHOUT NOTICE.
CALL HAGER
ENGINEERING AT
1-800-325-9995
FOR THE LATEST
REVISION DATE
OF TEMPLATE.

DRAWN	RTHOMP	6/21/2011
ENG. APPR.	-	-
MATERIAL	STAINLESS	
FINISH	US32D	
DO NOT SCALE DRAWING		
TOLERANCES: FRACTIONAL: $\pm 0.015"$ ANGULAR: MACH: $\pm 1^\circ$ BEND: $\pm 1^\circ$ TWO PLACE DECIMAL: $\pm 0.01"$ THREE PLACE DECIMAL: $\pm 0.004"$		

6803		EURO STLYE MORTISE LOCK LEVER
SIZE DWG. NO.		
A	S-LS00343	REV.
SCALE: 1:8	WEIGHT: 723.69	SHEET 1 OF 2



PROPRIETARY & CONFIDENTIAL
 THE INFORMATION CONTAINED
 IN THIS DRAWING IS THE SOLE
 PROPERTY OF HAGER
 COMPANIES. ANY REPRODUCTION
 IN PART OR AS A WHOLE WITHOUT
 THE WRITTEN PERMISSION OF
 HAGER COMPANIES IS PROHIBITED.

HAGER RESERVES
 THE RIGHT TO
 MAKE DESIGN
 CHANGES
 WITHOUT NOTICE.
 CALL HAGER
 ENGINEERING AT
 1-800-325-9995
 FOR THE LATEST
 REVISION DATE
 OF TEMPLATE.

	DRAWN	RTHOMP	6/21/11
	ENG. APPR.	-	-
MATERIAL	STAINLESS		
FINISH	US32D		
DO NOT SCALE DRAWING	TOLERANCES: FRACTIONAL: ±0.015" ANGULAR: MACH: ±1° BEND: ±1° TWO PLACE DECIMAL: ±0.01" THREE PLACE DECIMAL: ±0.004"		

6803	
EURO STLYE MORTISE LOCK LEVER	
SIZE	DWG. NO.
A	S-LS00343
SCALE: 1:8	WEIGHT: 723.69
REV.	
SHEET 2 OF 2	