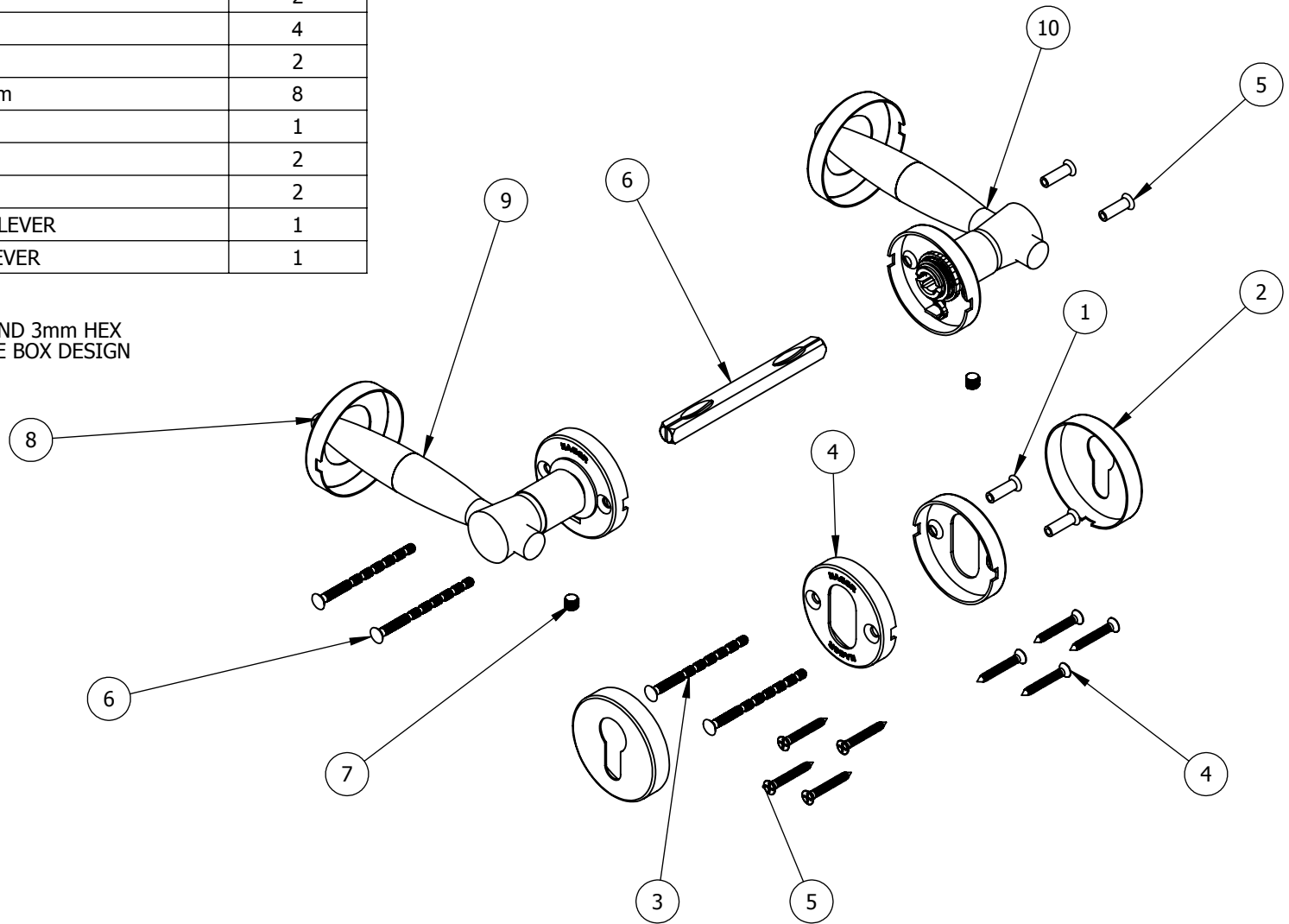


ITEM NO.	PART NUMBER	QTY.
1	S-LS01018	4
2	S-LS01015	2
3	S-LS01019	4
4	S-LS01014	2
5	FPHWS #7 x 22mm	8
6	S-LS00837	1
7	S-LS01023	2
8	S-LS01020	2
9	6809 RIGHT HAND LEVER	1
10	6809 LEFT HAND LEVER	1

REV.	DESCRIPTION	ECO NO.	DATE
------	-------------	---------	------

NOTE:
 PACKAGED WITH INSTRUCTIONS AND 3mm HEX
 KEY IN BLUE AND WHITE EROULINE BOX DESIGN

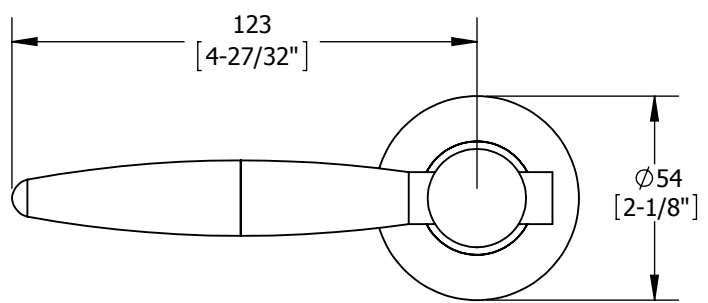
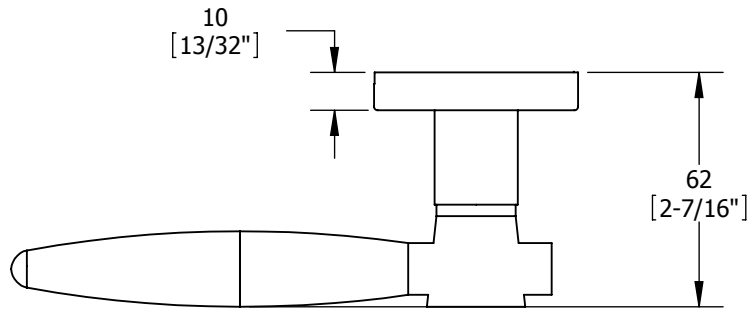



PROPRIETARY & CONFIDENTIAL
 THE INFORMATION CONTAINED
 IN THIS DRAWING IS THE SOLE
 PROPERTY OF HAGER
 COMPANIES. ANY REPRODUCTION
 IN PART OR AS A WHOLE WITHOUT
 THE WRITTEN PERMISSION OF
 HAGER COMPANIES IS PROHIBITED.

HAGER RESERVES
 THE RIGHT TO
 MAKE DESIGN
 CHANGES
 WITHOUT NOTICE.
 CALL HAGER
 ENGINEERING AT
 1-800-325-9995
 FOR THE LATEST
 REVISION DATE
 OF TEMPLATE.

	DRAWN	RTHOMP	6/21/2011
	ENG. APPR.	-	-
MATERIAL	STAINLESS		
FINISH	US32D		
DO NOT SCALE DRAWING	TOLERANCES: FRACTIONAL: $\pm 0.015''$ ANGULAR: MACH: $\pm 1^\circ$ BEND: $\pm 1^\circ$ TWO PLACE DECIMAL: $\pm 0.01''$ THREE PLACE DECIMAL: $\pm 0.004''$		

6809		EURO STYLE MORTISE LOCK LEVER	
SIZE	DWG. NO.	REV.	
A	S-LS00342	-+	
SCALE: 1:8	WEIGHT: 414.89	SHEET 1 OF 2	



 <p>PROPRIETARY & CONFIDENTIAL THE INFORMATION CONTAINED IN THIS DRAWING IS THE SOLE PROPERTY OF HAGER COMPANIES. ANY REPRODUCTION IN PART OR AS A WHOLE WITHOUT THE WRITTEN PERMISSION OF HAGER COMPANIES IS PROHIBITED.</p>	<p>HAGER RESERVES THE RIGHT TO MAKE DESIGN CHANGES WITHOUT NOTICE. CALL HAGER ENGINEERING AT 1-800-325-9995 FOR THE LATEST REVISION DATE OF TEMPLATE.</p>	DRAWN	RTHOMP	6/21/2011	<p>6809 EURO STLYE MORTISE LOCK LEVER</p>		
		ENG. APPR.	-				
		MATERIAL	STAINLESS		Q.A.		
		FINISH	US32D		<p>TOLERANCES: FRACTIONAL: ±0.015" ANGULAR: MACH: ± 1° BEND: ±1° TWO PLACE DECIMAL: ±0.01" THREE PLACE DECIMAL: ±0.004"</p>		<p>SIZE A DWG. NO. S-LS00342 REV. -+</p>
DO NOT SCALE DRAWING			SCALE: 1:8	WEIGHT: 414.89	SHEET 2 OF 2		