

HAGER RESERVES THE RIGHT TO MAKE DESIGN CHANGES WITHOUT NOTICE. CALL HAGER ENGINEERING AT 1-800-325-9995 FOR THE LATEST REVISION DATE OF TEMPLATE.

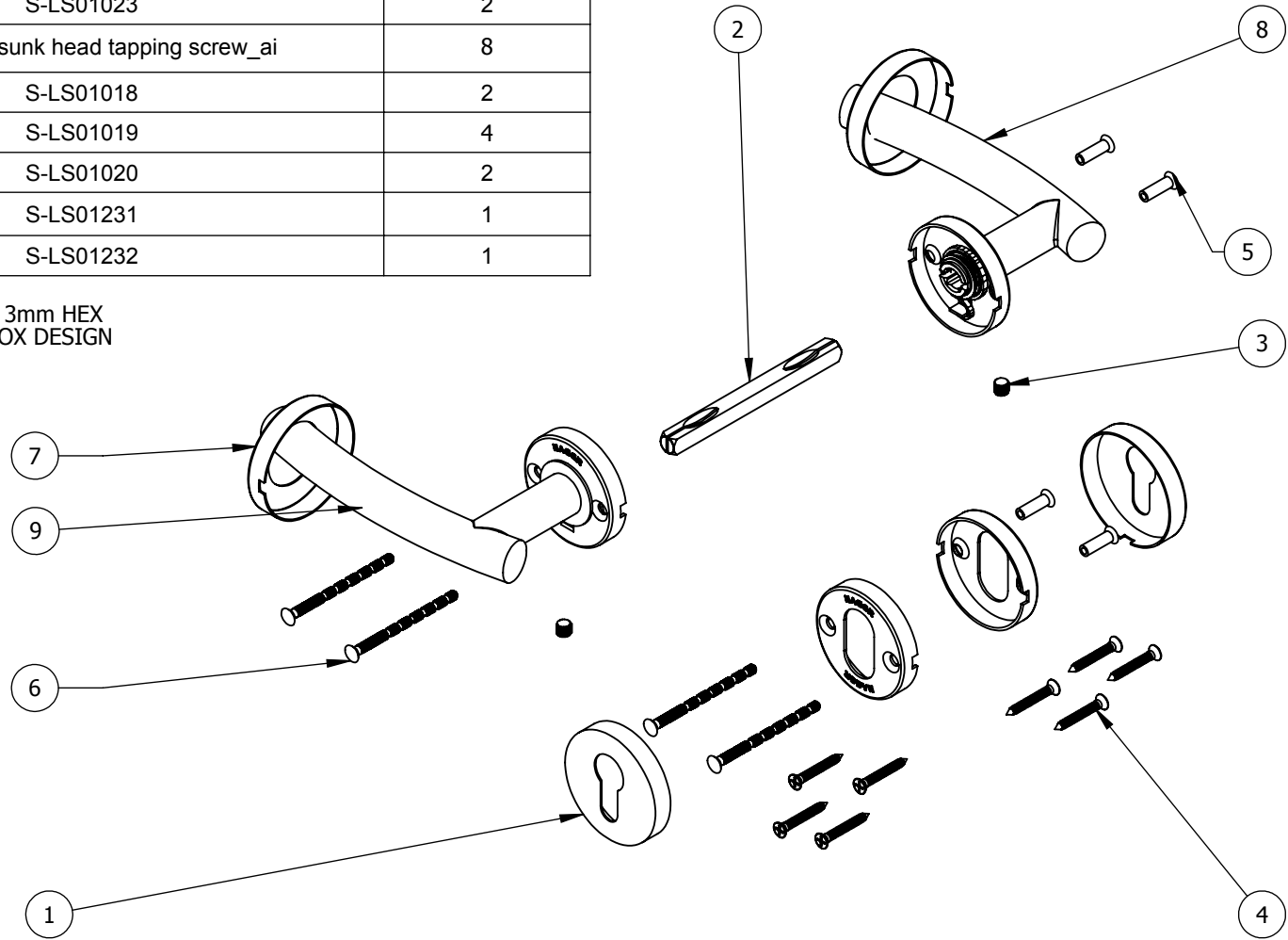
PRIMARY DIMENSIONS SHOWN IN MILLIMETERS, DIMENSIONS IN [] ARE INCHES.

	DRAWN	RTHOMP	4/14/2011	6812 EURO STYLE MORTISE LOCK LEVER	
	ENG. APPR.	-	-		
MATERIAL	SS304	Q.A.			
FINISH	US32D	TOLERANCES:		SIZE	DWG. NO.
DO NOT SCALE DRAWING	FRACTIONAL: $\pm 0.031''$		ANGULAR: MACH: $\pm 1^\circ$ BEND: $\pm 1^\circ$	A	S-LS00340
	TWO PLACE DECIMAL: $\pm 0.01''$		THREE PLACE DECIMAL: $\pm 0.004''$		
	SCALE: 1:2	WEIGHT: 559.68			SHEET 1 OF 2

ITEM NO.	FILE NAME	BOX/QTY.
1	S-LS00703	1
2	S-LS00837	1
3	S-LS01023	2
4	flat countersunk head tapping screw_ai	8
5	S-LS01018	2
6	S-LS01019	4
7	S-LS01020	2
8	S-LS01231	1
9	S-LS01232	1

REV.	DESCRIPTION	ECO NO.	DATE
------	-------------	---------	------

NOTE:
PACKAGED WITH INSTRUCTIONS AND 3mm HEX
KEY IN BLUE AND WHITE EUROLINE BOX DESIGN



PROPRIETARY & CONFIDENTIAL
THE INFORMATION CONTAINED
IN THIS DRAWING IS THE SOLE
PROPERTY OF HAGER
COMPANIES. ANY REPRODUCTION
IN PART OR AS A WHOLE WITHOUT
THE WRITTEN PERMISSION OF
HAGER COMPANIES IS PROHIBITED.

HAGER RESERVES
THE RIGHT TO
MAKE DESIGN
CHANGES
WITHOUT NOTICE.
CALL HAGER
ENGINEERING AT
1-800-325-9995
FOR THE LATEST
REVISION DATE
OF TEMPLATE.

	DRAWN	RTHOMP	1/1/2008
	ENG. APPR.	-	-
MATERIAL	SS304	Q.A.	
FINISH	US32D	TOLERANCES: FRACTIONAL: ±0.015" ANGULAR: MACH: ± 1° BEND: ±1° TWO PLACE DECIMAL: ±0.01" THREE PLACE DECIMAL: ±0.004"	
DO NOT SCALE DRAWING			

6812		EURO STYLE MORTISE LOCK LEVER	
SIZE	DWG. NO.	REV.	
A	S-LS00340	-+	
SCALE: 1:8	WEIGHT: 559.68	SHEET 2 OF 2	