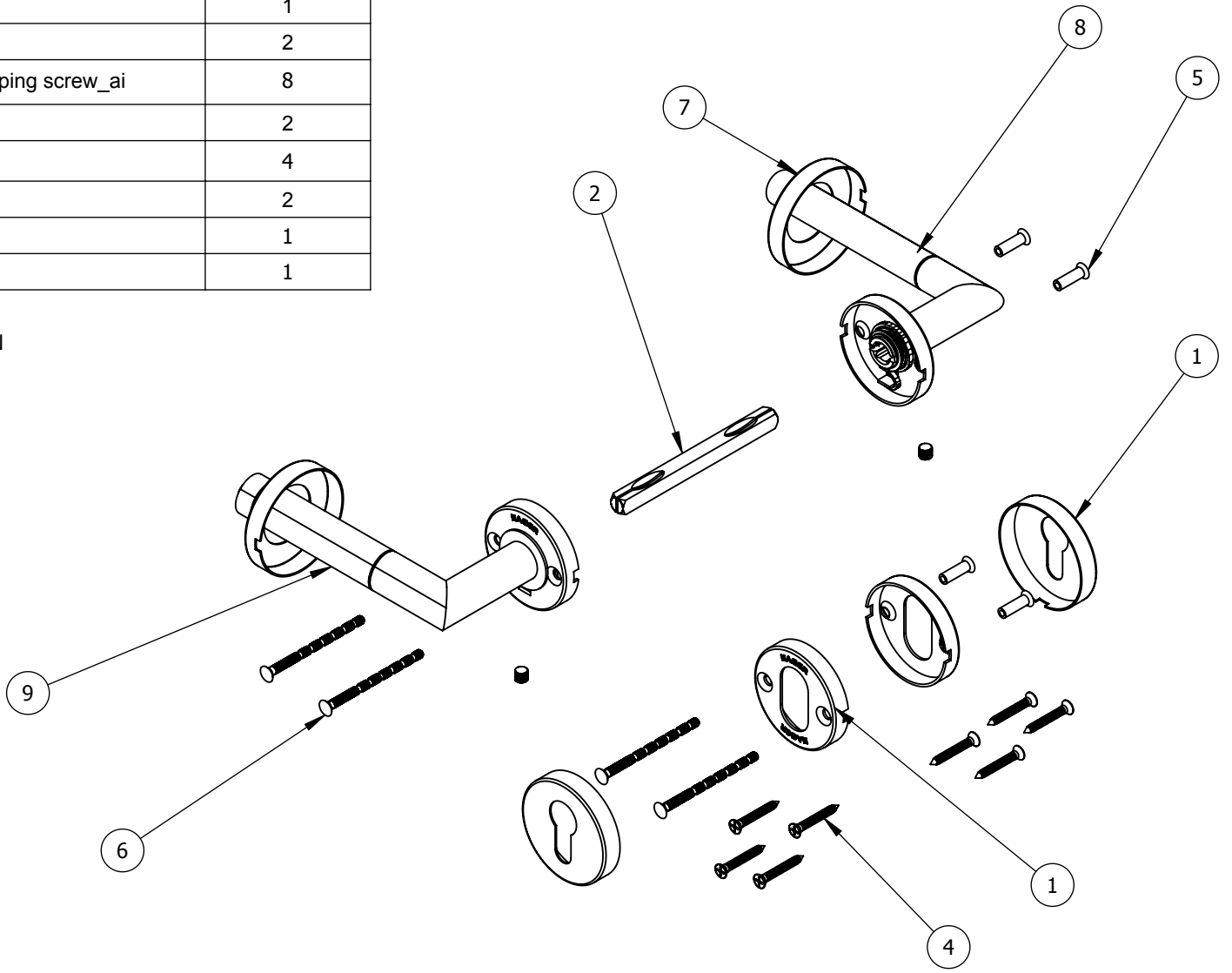


| ITEM NO. | FILE NAME | BOX/QTY. |
|----------|--|----------|
| 1 | S-LS00703 | 1 |
| 2 | S-LS00837 | 1 |
| 3 | S-LS01023 | 2 |
| 4 | flat countersunk head tapping screw_ai | 8 |
| 5 | S-LS01018 | 2 |
| 6 | S-LS01019 | 4 |
| 7 | S-LS01020 | 2 |
| 8 | S-LS01230 | 1 |
| 9 | S-LS01229 | 1 |

| REV. | DESCRIPTION | ECO NO. | DATE |
|------|-----------------------|---------|-----------|
| 01 | CORRECTED PART NUMBER | | 5/22/2013 |

NOTE:
PACKAGED WITH INSTRUCTIONS AND 3mm HEX
KEY IN BLUE AND WHITE EUROLINE BOX DESIGN



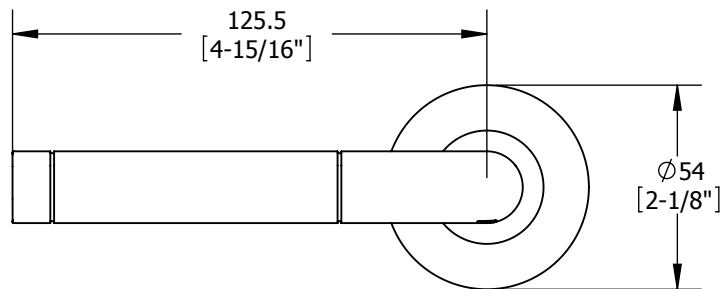
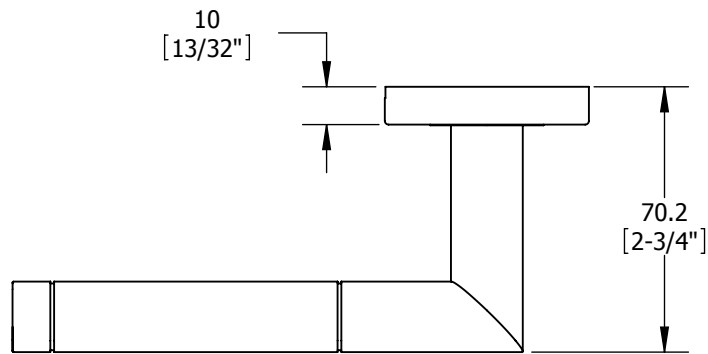
PROPRIETARY & CONFIDENTIAL
THE INFORMATION CONTAINED
IN THIS DRAWING IS THE SOLE
PROPERTY OF HAGER
COMPANIES. ANY REPRODUCTION
IN PART OR AS A WHOLE WITHOUT
THE WRITTEN PERMISSION OF
HAGER COMPANIES IS PROHIBITED.


HAGER RESERVES
THE RIGHT TO
MAKE DESIGN
CHANGES
WITHOUT NOTICE.
CALL HAGER
ENGINEERING AT
1-800-325-9995
FOR THE LATEST
REVISION DATE
OF TEMPLATE.

| | |
|----------------------|-------|
| MATERIAL | SS304 |
| FINISH | US32D |
| DO NOT SCALE DRAWING | |

| | | |
|--|--------|-----------|
| DRAWN | RTHOMP | 4/14/2011 |
| ENG. APPR. | - | - |
| TOLERANCES: FRACTIONAL: ±0.015" ANGULAR: MACH: ± 1° BEND: ±1° TWO PLACE DECIMAL: ±0.01" THREE PLACE DECIMAL: ±0.004" | | |

| | | | |
|------------|----------------|-------------------------------|--|
| 6813 | | EURO STYLE MORTISE LOCK LEVER | |
| SIZE | DWG. NO. | REV. | |
| A | S-LS00339 | 01 | |
| SCALE: 1:8 | WEIGHT: 533.81 | SHEET 1 OF 2 | |



| | | | | | | | | | |
|---|---|----------------------|-------|------------|---|----------------|---|-----------|------|
|  <p>PROPRIETARY & CONFIDENTIAL THE INFORMATION CONTAINED IN THIS DRAWING IS THE SOLE PROPERTY OF HAGER COMPANIES. ANY REPRODUCTION IN PART OR AS A WHOLE WITHOUT THE WRITTEN PERMISSION OF HAGER COMPANIES IS PROHIBITED.</p> | <p>HAGER RESERVES THE RIGHT TO MAKE DESIGN CHANGES WITHOUT NOTICE. CALL HAGER ENGINEERING AT 1-800-325-9995 FOR THE LATEST REVISION DATE OF TEMPLATE.</p> | MATERIAL | SS304 | DRAWN | RTHOMP | 4/14/2011 | <p>6813 EURO STYLE MORTISE LOCK LEVER</p> | | |
| | | FINISH | US32D | ENG. APPR. | - | - | | | |
| | | DO NOT SCALE DRAWING | | | <p>TOLERANCES: FRACTIONAL: ±0.015" ANGULAR: MACH: ± 1° BEND: ±1° TWO PLACE DECIMAL: ±0.01" THREE PLACE DECIMAL: ±0.004"</p> | | SIZE | DWG. NO. | REV. |
| | | | | | | | A | S-LS00339 | 01 |
| | | | | | SCALE: 1:8 | WEIGHT: 533.81 | SHEET 2 OF 2 | | |