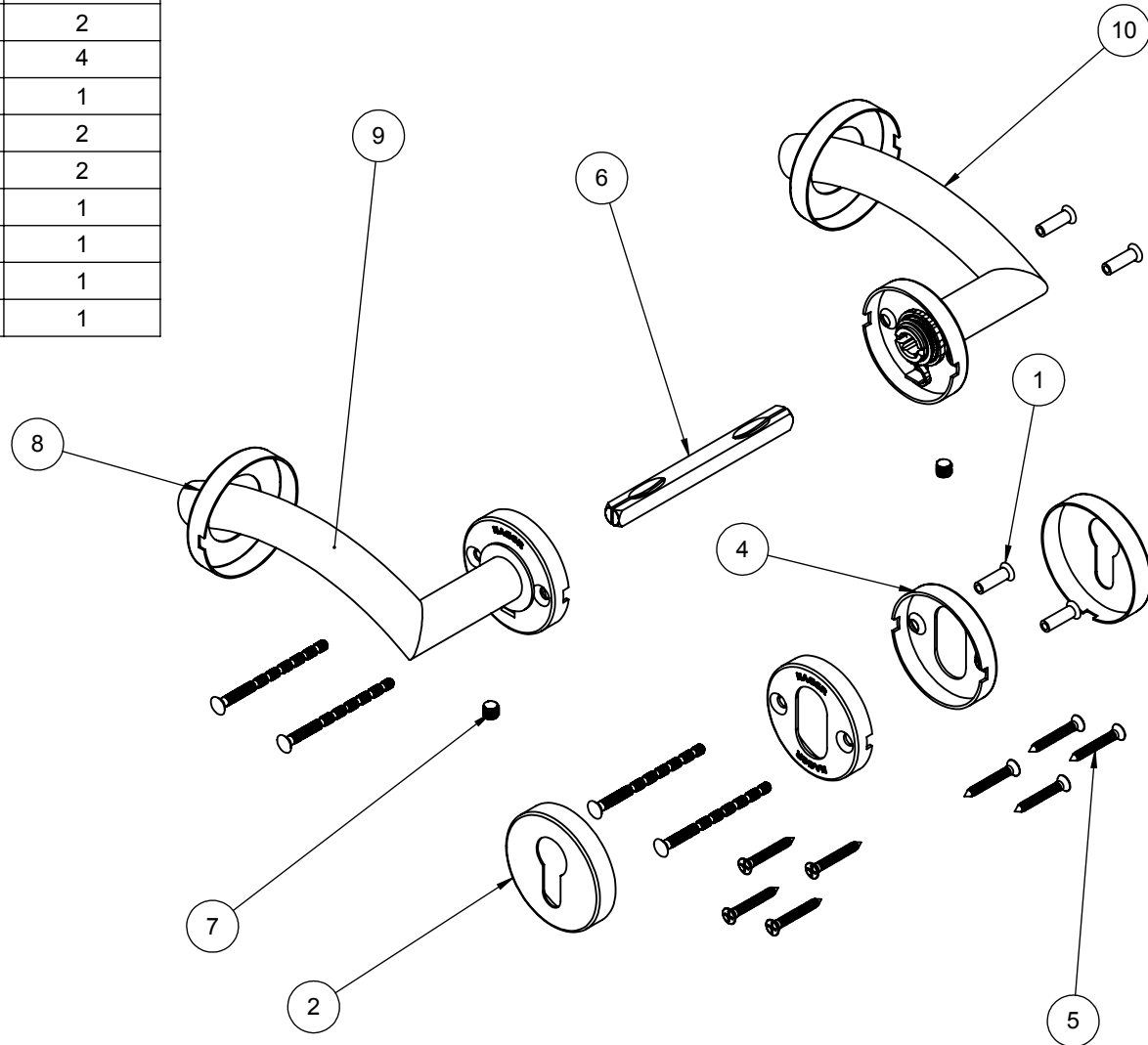



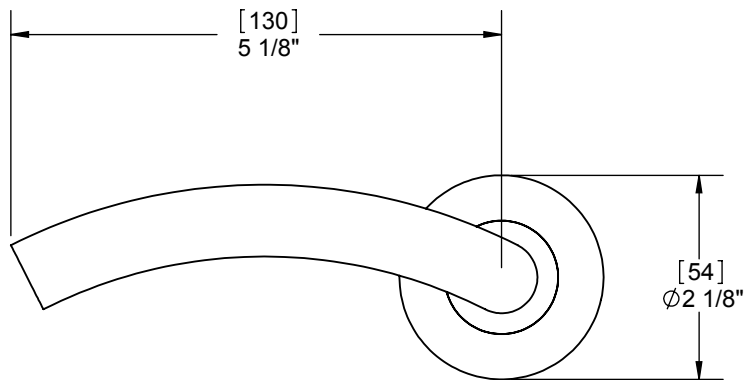
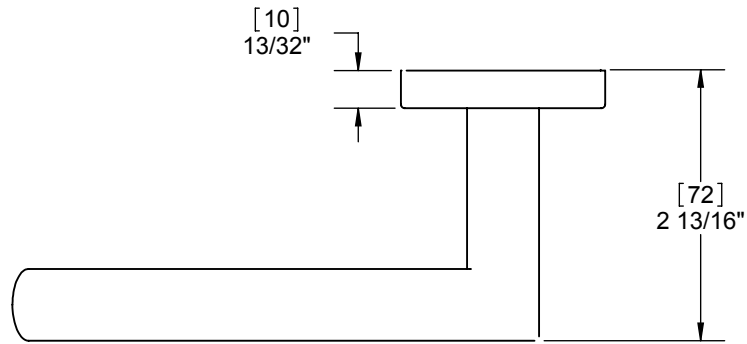
ITEM NO.	PART NUMBER	QTY.
1	S-LS01018	4
2	S-LS01015	2
3	S-LS01019	4
4	S-LS01014	2
5	FLATCKT 0.151-19-type I-AB-1.125-S	4
6	S-LS00837	1
7	S-LS01023	2
8	S-LS01020	2
9	6806 RIGHT HAND LEVER	1
10	6806 LEFT HAND LEVER	1
11	S-LS01228	1
12	S-LS01228	1


NOTE:
PACKAGED WITH INSTRUCTIONS AND 3mm HEX
KEY IN BLUE AND WHITE EUROLINE BOX DESIGN



REV.	DESCRIPTION	ECO NO.	DATE
------	-------------	---------	------

 PROPRIETARY & CONFIDENTIAL THE INFORMATION CONTAINED IN THIS DRAWING IS THE SOLE PROPERTY OF HAGER COMPANIES. ANY REPRODUCTION IN PART OR AS A WHOLE WITHOUT THE WRITTEN PERMISSION OF HAGER COMPANIES IS PROHIBITED.	HAGER RESERVES THE RIGHT TO MAKE DESIGN CHANGES WITHOUT NOTICE. CALL HAGER ENGINEERING AT 1-800-325-9995 FOR THE LATEST REVISION DATE OF TEMPLATE.	DRAWN	RTHOMP	4/14/2012	6806 EURO STYLE MORTISE LOCK LEVER				
		MATERIAL	SS304	ENG. APPR.			-	-	
		FINISH	US32D	Q.A.			TOLERANCES: FRACTIONAL: $\pm 0.015"$ ANGULAR: MACH: $\pm 1^\circ$ BEND: $\pm 1^\circ$ TWO PLACE DECIMAL: $\pm 0.01"$ THREE PLACE DECIMAL: $\pm 0.004"$	SIZE A DWG. NO. S-LS00338	REV. ++
		DO NOT SCALE DRAWING		SCALE: 1:8	WEIGHT: 654.08	SHEET 1 OF 2			



 PROPRIETARY & CONFIDENTIAL THE INFORMATION CONTAINED IN THIS DRAWING IS THE SOLE PROPERTY OF HAGER COMPANIES. ANY REPRODUCTION IN PART OR AS A WHOLE WITHOUT THE WRITTEN PERMISSION OF HAGER COMPANIES IS PROHIBITED.	HAGER RESERVES THE RIGHT TO MAKE DESIGN CHANGES WITHOUT NOTICE. CALL HAGER ENGINEERING AT 1-800-325-9995 FOR THE LATEST REVISION DATE OF TEMPLATE.	DRAWN	RTHOMP	4/14/2011	6806 EURO STYLE MORTISE LOCK LEVER				
		MATERIAL	SS304	ENG. APPR.			-	Q.A.	-
		FINISH	US32D	TOLERANCES: FRACTIONAL: ±0.015" ANGULAR: MACH: ±1° BEND: ±1° TWO PLACE DECIMAL: ±0.01" THREE PLACE DECIMAL: ±0.004"			SIZE	DWG. NO.	REV.
		DO NOT SCALE DRAWING		SIZE A DWG. NO. S-LS00338 SCALE: 1:8 WEIGHT: 205.43 SHEET 2 OF 2			REV.	-+	