

PROPRIETARY & CONFIDENTIAL

THE INFORMATION CONTAINED IN THIS DRAWING IS THE SOLE PROPERTY OF HAGER COMPANIES. ANY REPRODUCTION IN PART OR AS A WHOLE WITHOUT THE WRITTEN PERMISSION OF HAGER COMPANIES IS PROHIBITED.

HAGER RESERVES THE RIGHT TO MAKE DESIGN CHANGES WITHOUT NOTICE. CALL HAGER ENGINEERING AT 1-800-325-9995 FOR THE LATEST REVISION DATE OF TEMPLATE.

MATERIAL	SS304
FINISH	US32D
DO NOT SCALE DRAWING	

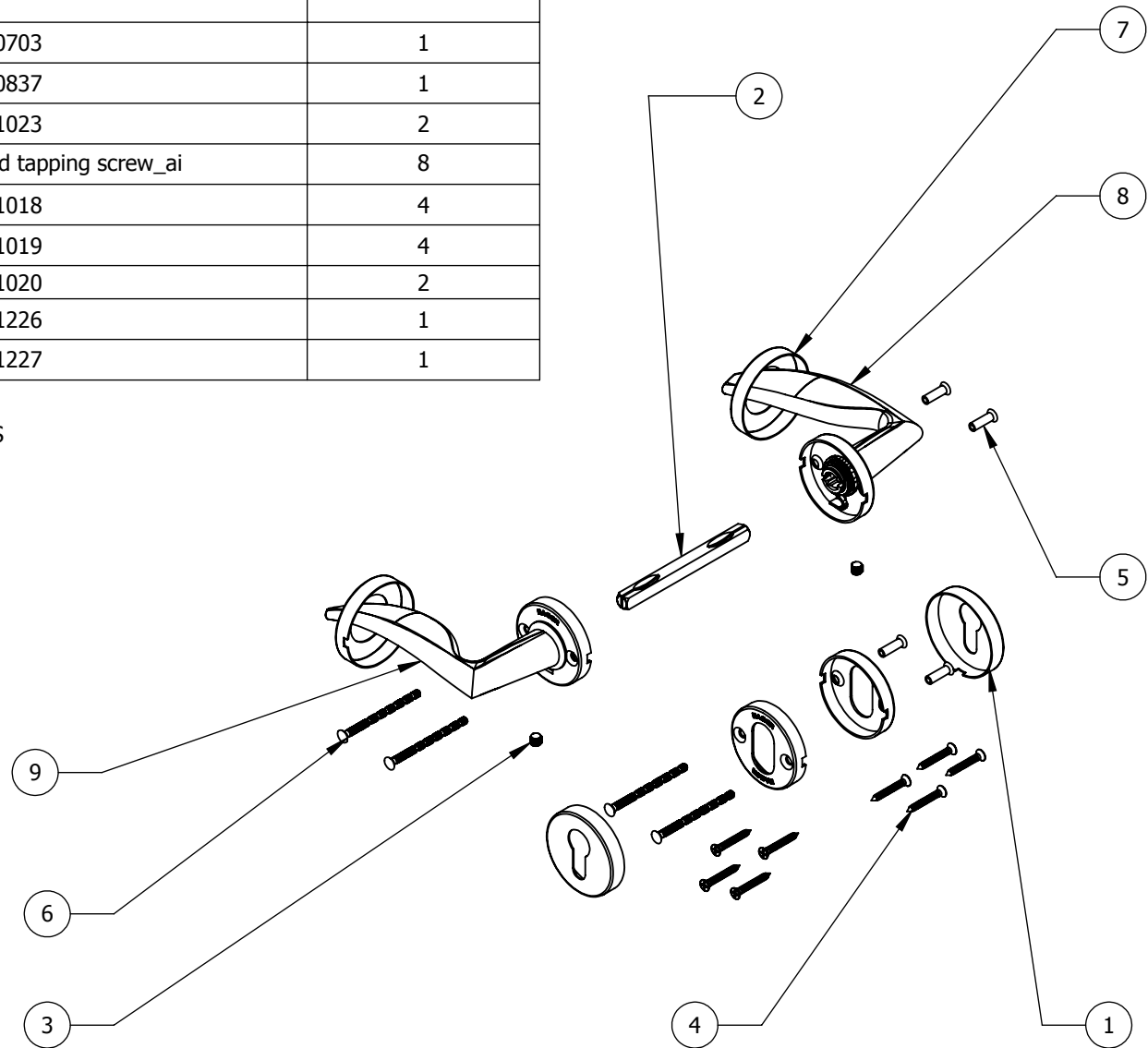
DRAWN	RTHOMP	4/15/2011
ENG. APPR.	-	-
Q.A.		
TOLERANCES:		
FRACTIONAL: $\pm 0.015"$		
ANGULAR: MACH: $\pm 1^\circ$ BEND: $\pm 1^\circ$		
TWO PLACE DECIMAL: $\pm 0.01"$		
THREE PLACE DECIMAL: $\pm 0.004"$		

6807		EURO STYLE MORTISE LOCK LEVER	
SIZE	DWG. NO.	REV.	
A	S-LS00337	-+	
SCALE: 1:10	WEIGHT: 1118.84	SHEET 1 OF 2	

BOM Table(Restructured)

ITEM NO.	FILE NAME	QTY.
1	S-LS00703	1
2	S-LS00837	1
3	S-LS01023	2
4	flat countersunk head tapping screw_ai	8
5	S-LS01018	4
6	S-LS01019	4
7	S-LS01020	2
8	S-LS01226	1
9	S-LS01227	1

NOTE:
PACKAGED WITH 3mm HEX KEY AND INSTRUCTIONS
IN BLUE AND WHITE EUROLINE BOX



HAGER RESERVES THE RIGHT TO MAKE DESIGN CHANGES WITHOUT NOTICE. CALL HAGER ENGINEERING AT 1-800-325-9995 FOR THE LATEST REVISION DATE OF TEMPLATE.

PRIMARY DIMENSIONS SHOWN IN MILLIMETERS, DIMENSIONS IN [] ARE INCHES.

DRAWN	RTHOMP	4/15/2011
ENG. APPR.	-	-
MATERIAL	SS304	
FINISH	US32D	
DO NOT SCALE DRAWING	TOLERANCES: FRACTIONAL: ±0.031" ANGULAR: MACH: ±1° BEND: ±1° TWO PLACE DECIMAL: ±0.01" THREE PLACE DECIMAL: ±0.004"	

6807	
EURO STYLE MORTISE LOCK LEVER	
SIZE	DWG. NO.
A	S-LS00337
SCALE: 1:10	WEIGHT: 1118.84
REV.	-+
SHEET 2 OF 2	