

HAGER RESERVES THE RIGHT TO MAKE DESIGN CHANGES WITHOUT NOTICE. CALL HAGER ENGINEERING AT 1-800-325-9995 FOR THE LATEST REVISION DATE OF TEMPLATE.

PRIMARY DIMENSIONS SHOWN IN INCHES, DIMENSIONS IN [] ARE MILLIMETERS.

MATERIAL	SS304
FINISH	US32D

DO NOT SCALE DRAWING

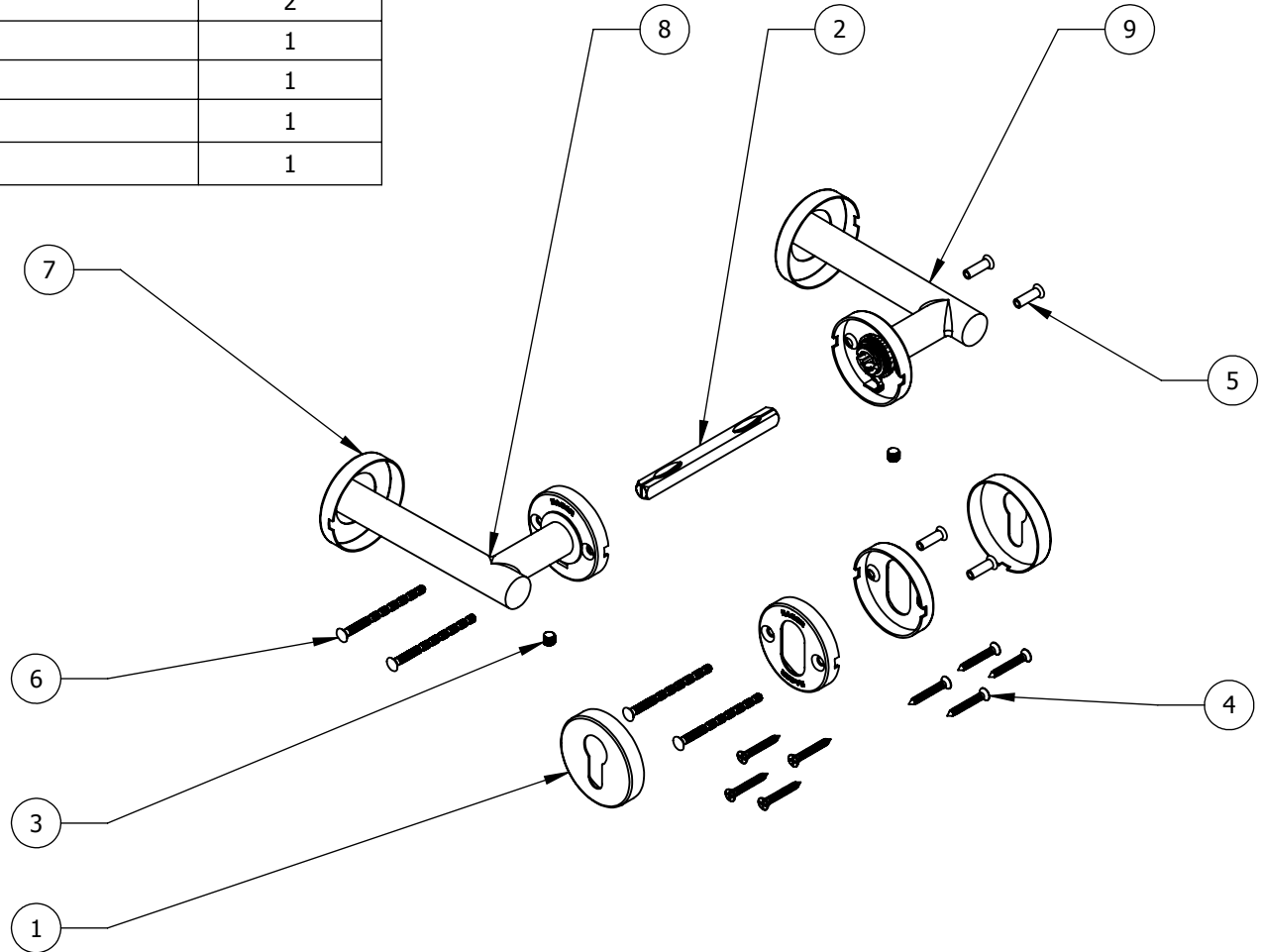
DRAWN	RTHOMP	4/15/2011
ENG. APPR.	-	-
Q.A.		

TOLERANCES:
 FRACTIONAL: ±0.015"
 ANGULAR: MACH: ± 1° BEND: ±1°
 TWO PLACE DECIMAL: ±0.01"
 THREE PLACE DECIMAL: ±0.004"

6805	
EURO STYLE MORTISE LOCK LEVER	
SIZE	DWG. NO.
A	S-LS00336
SCALE: 1:5	WEIGHT: 549.97
REV.	-+
SHEET 1 OF 2	

ITEM NO.	FILE NAME	BOX/QTY.
1	S-LS00703	1
2	S-LS00837	1
3	S-LS01023	2
4	flat countersunk head tapping screw_ai	8
5	S-LS01018	2
6	S-LS01019	4
7	S-LS01020	2
8	6805 ASBLY	1
9	6805 ASBLY	1
11	S-LS01228	1
12	S-LS01228	1

NOTE:
PACKAGED WITH INSTRUCTIONS AND 3mm HEX
KEY IN BLUE AND WHITE EUROLINE BOX DESIGN



HAGER RESERVES THE RIGHT TO MAKE
DESIGN CHANGES WITHOUT NOTICE.
CALL HAGER ENGINEERING
AT 1-800-325-9995 FOR THE LATEST
REVISION DATE OF TEMPLATE.

PRIMARY DIMENSIONS SHOWN IN MILLIMETERS,
DIMENSIONS IN [] ARE INCHES.

DRAWN		RTHOMP	4/15/2011	6805 EURO STYLE MORTISE LOCK LEVER	
ENG. APPR.		-	-		
MATERIAL		SS304		SIZE DWG. NO.	
FINISH		US23D		S-LS00336	
DO NOT SCALE DRAWING		TOLERANCES: FRACTIONAL: $\pm 0.031''$ ANGULAR: MACH: $\pm 1^\circ$ BEND: $\pm 1^\circ$ TWO PLACE DECIMAL: $\pm 0.01''$ THREE PLACE DECIMAL: $\pm 0.004''$		REV.	-+
		SCALE: 1:5		WEIGHT: 549.97	SHEET 2 OF 2