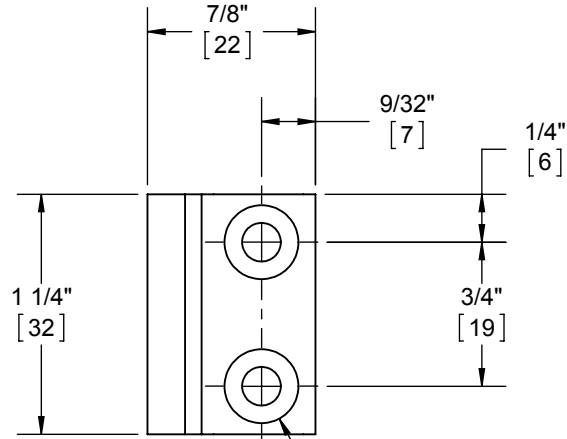
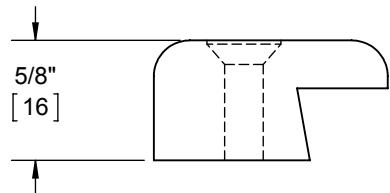


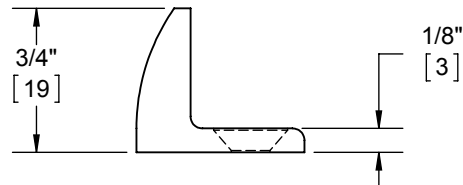
COUNTERSUNK FOR #10-24 MACHINE SCREW (2 PLACES)



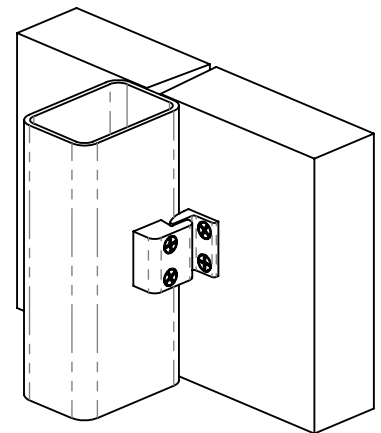
COUNTERSUNK FOR #10-24 MACHINE SCREW (2 PLACES)



MULLION/FRAME STABILIZER



DOOR STABILIZER



HAGER RESERVES THE RIGHT TO MAKE DESIGN CHANGES WITHOUT NOTICE. CALL HAGER ENGINEERING AT 1-800-325-9995 FOR THE LATEST REVISION DATE OF TEMPLATE.

PRIMARY DIMENSIONS SHOWN IN INCHES, DIMENSIONS IN [] ARE MILLIMETERS.

MATERIAL	Material <not specified>
FINISH	-
DO NOT SCALE DRAWING	

DRAWN	TJS	11/29/2010
ENG. APPR.	-	-
Q.A.		
TOLERANCES:		
FRACTIONAL: ±0.015"		
ANGULAR: MACH: ± 1° BEND: ±1°		
TWO PLACE DECIMAL: ±0.01"		
THREE PLACE DECIMAL: ±0.004"		

4953 Stabilizer		
SIZE	DWG. NO.	REV.
A	S-ED01232	01
SCALE: 1:4	WEIGHT: 5.64	SHEET 1 OF 1