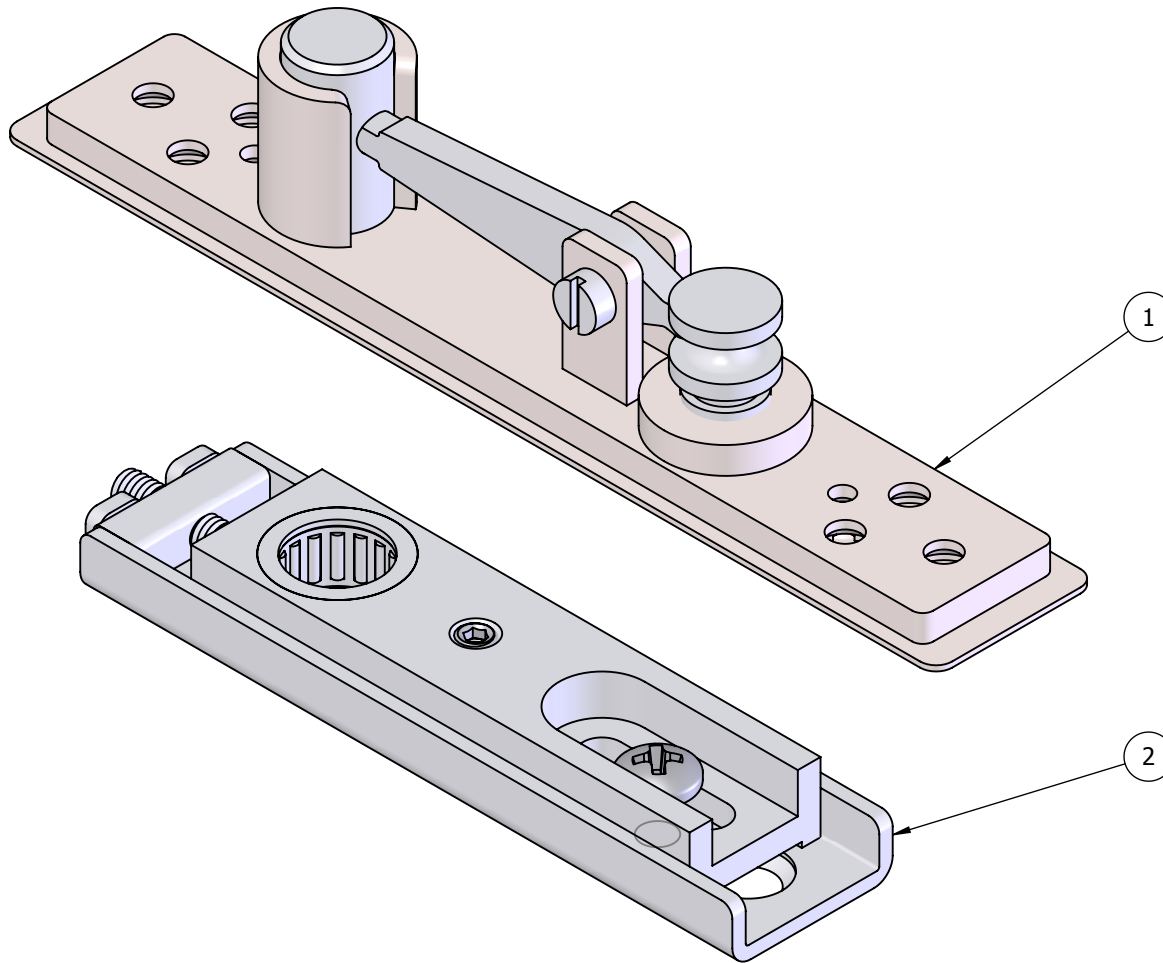


REV.	DESCRIPTION	ECO NO.	DATE
-	INITIAL CHECK IN	NPD14010	3/31/2015



ITEM NO.	FILE NAME	DESCRIPTION	QTY.
1	S-CL00624	Heavy Duty Floor Spring Top Pivot Frame Mount	1
2	S-CL00631	Heavy Duty Floor Spring Top Pivot Door Assembly	1



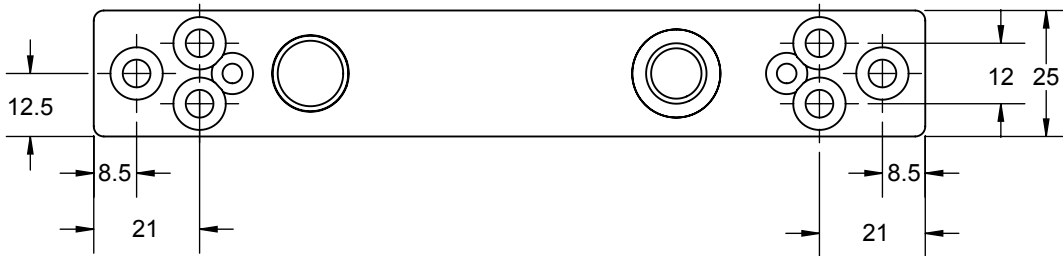
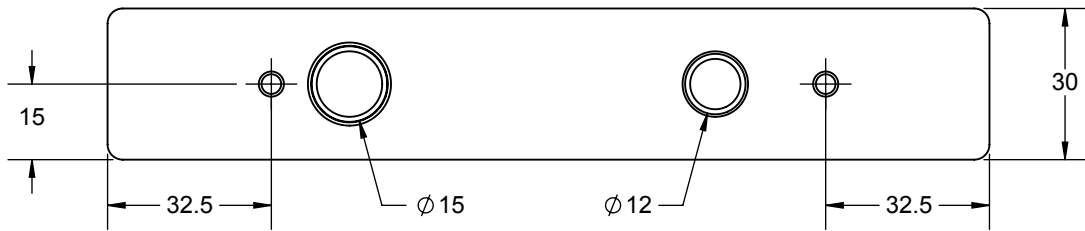
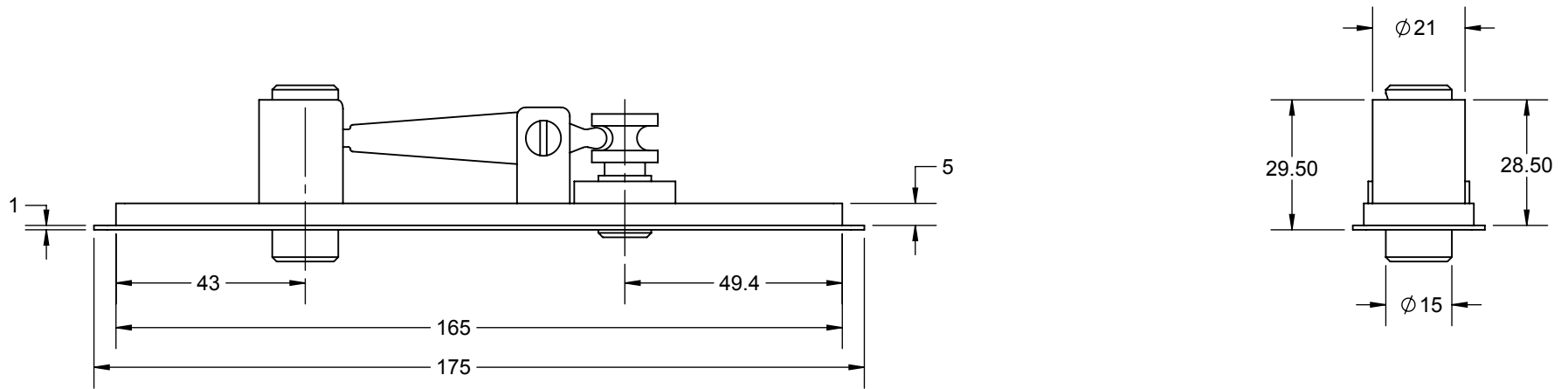
HAGER RESERVES THE RIGHT TO MAKE DESIGN CHANGES WITHOUT NOTICE. CALL HAGER ENGINEERING AT 1-800-325-9995 FOR THE LATEST REVISION DATE OF TEMPLATE.

DIMENSIONS SHOWN IN MILLIMETERS.

MATERIAL	-
FINISH	-
DO NOT SCALE DRAWING	

DRAWN	DRS	2/12/2015
ENG. APPR.	-	-
Q.A.		
TOLERANCES:		
FRACTIONAL: ±0.015"		
ANGULAR: MACH: ± 1° BEND: ±1°		
TWO PLACE DECIMAL: ±0.01"		
THREE PLACE DECIMAL: ±0.004"		

5800H		REV.
Heavy Duty Floor Spring Top Pivot		-
SIZE	DWG. NO.	
A	S-CL00623	
SCALE: 1:1	WEIGHT: 269.44	SHEET 1 OF 3



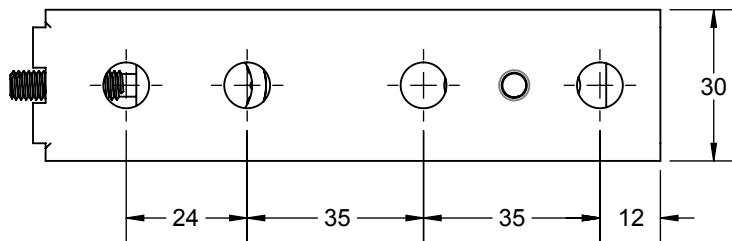
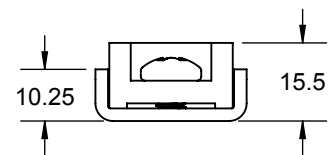
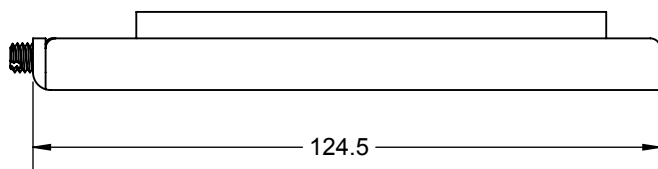
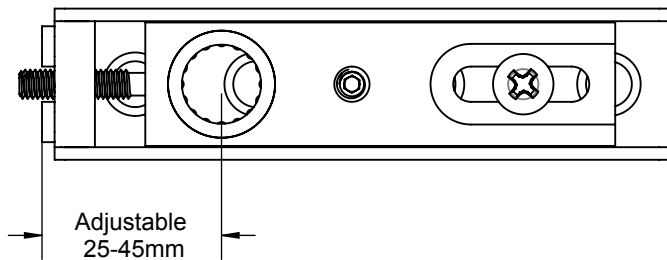
HAGER RESERVES THE RIGHT TO MAKE DESIGN CHANGES WITHOUT NOTICE. CALL HAGER ENGINEERING AT 1-800-325-9995 FOR THE LATEST REVISION DATE OF TEMPLATE.

PRIMARY DIMENSIONS SHOWN IN INCHES, DIMENSIONS IN [] ARE MILLIMETERS.

MATERIAL	-
FINISH	-
DO NOT SCALE DRAWING	

DRAWN	DRS	2/12/2015
ENG. APPR.	-	-
Q.A.		
TOLERANCES:		
FRACTIONAL: ±0.015"		
ANGULAR: MACH: ± 1° BEND: ±1°		
TWO PLACE DECIMAL: ±0.01"		
THREE PLACE DECIMAL: ±0.004"		

5800H		Heavy Duty Floor Spring Top Pivot Frame Mount	
SIZE	DWG. NO.	REV.	-
A	S-CL00623		
SCALE:2:3	WEIGHT: -	SHEET 2 OF 3	



HAGER RESERVES THE RIGHT TO MAKE DESIGN CHANGES WITHOUT NOTICE. CALL HAGER ENGINEERING AT 1-800-325-9995 FOR THE LATEST REVISION DATE OF TEMPLATE.

PRIMARY DIMENSIONS SHOWN IN INCHES, DIMENSIONS IN [] ARE MILLIMETERS.

	DRAWN	DRS	2/2/2015
	ENG. APPR.	-	-
MATERIAL	Q.A.		
FINISH	-		
TOLERANCES:			
FRACTIONAL: $\pm 0.015"$			
ANGULAR: MACH: $\pm 1^\circ$ BEND: $\pm 1^\circ$			
TWO PLACE DECIMAL: $\pm 0.01"$			
THREE PLACE DECIMAL: $\pm 0.004"$			
DO NOT SCALE DRAWING			

		5800H Heavy Duty Floor Spring Top Pivot Door Assembly	
SIZE	DWG. NO.	REV.	
A	S-CL00623	-	
SCALE: 2:3	WEIGHT: -	SHEET 3 OF 3	