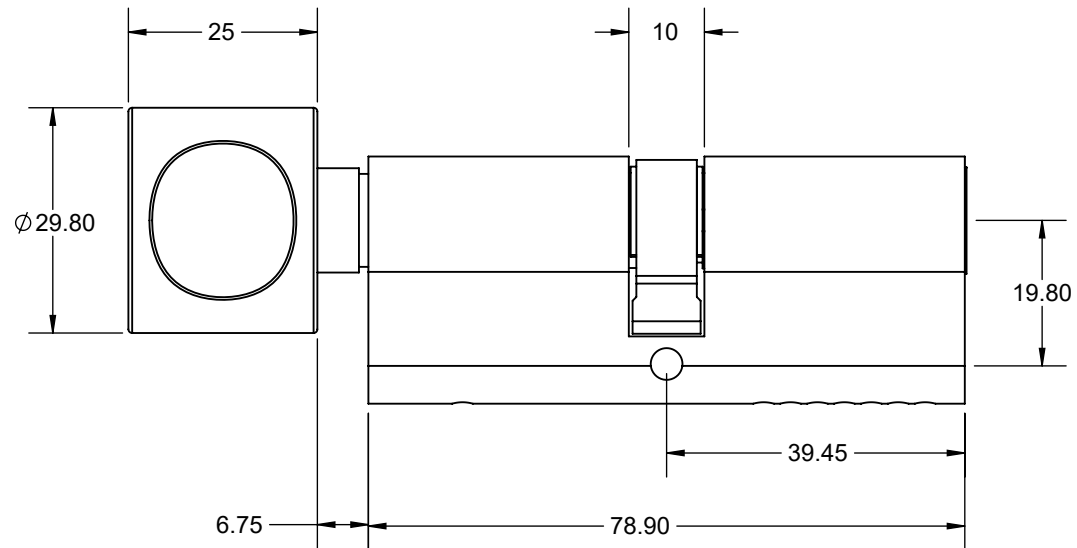
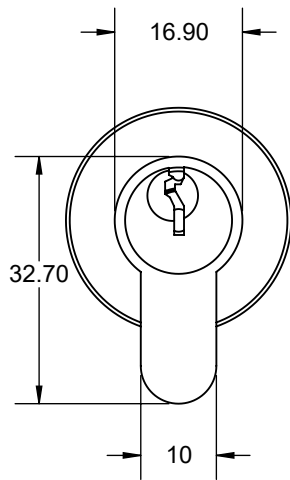


REV.	DESCRIPTION	ECO NO.	APPROVED BY	DATE
-	INITIAL CHECK IN	OT19001		5/16/2019



NOTE:
 DRILLED SIX PIN
 SCHLAGE 'C' KEYWAY



PROPRIETARY & CONFIDENTIAL
 THE INFORMATION CONTAINED
 IN THIS DRAWING IS THE SOLE
 PROPERTY OF HAGER
 COMPANIES. ANY REPRODUCTION
 IN PART OR AS A WHOLE WITHOUT
 THE WRITTEN PERMISSION OF
 HAGER COMPANIES IS PROHIBITED.

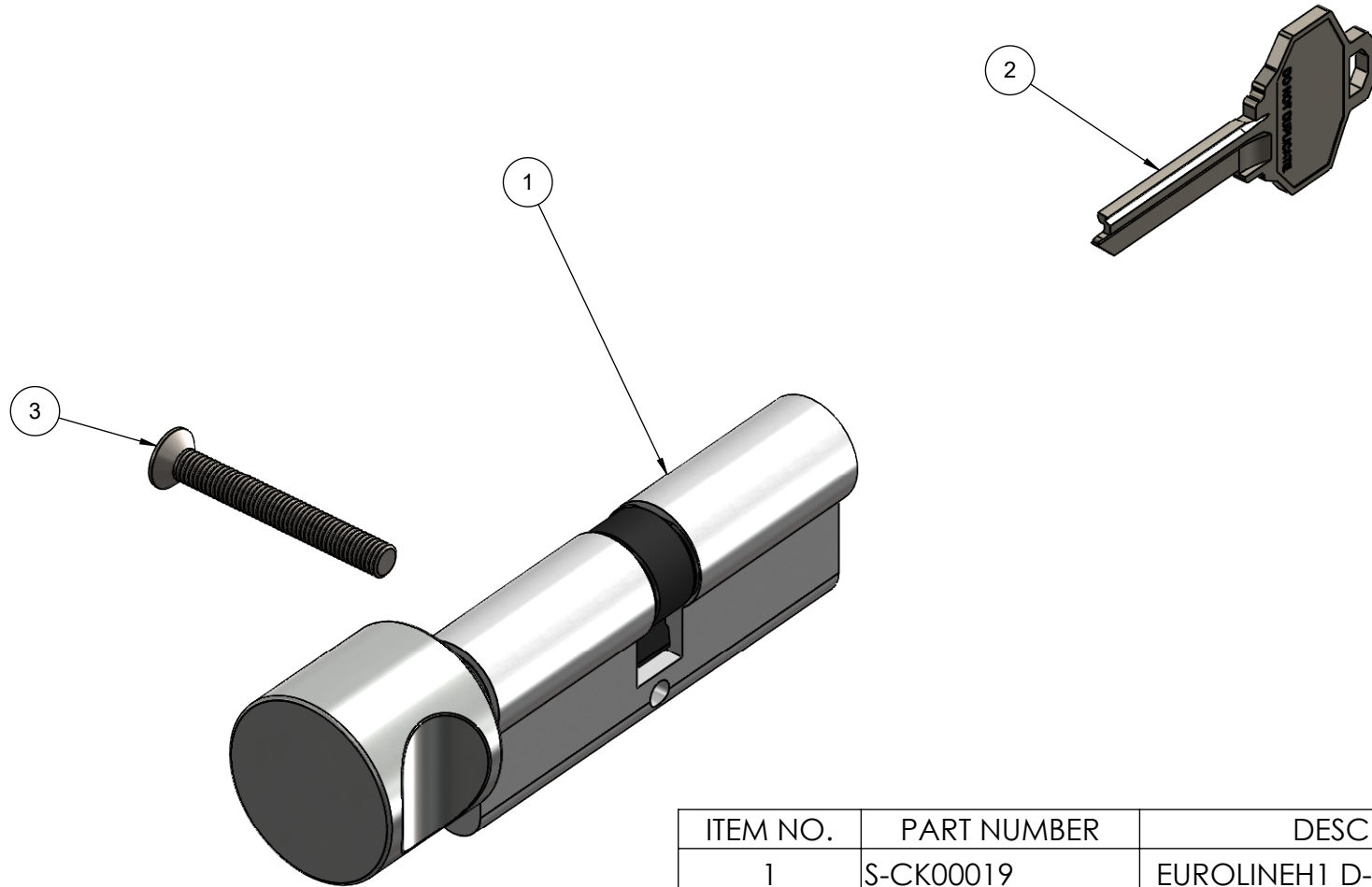
HAGER RESERVES
 THE RIGHT TO
 MAKE DESIGN
 CHANGES
 WITHOUT NOTICE.
 CALL HAGER
 ENGINEERING AT
 1-800-325-9995
 FOR THE LATEST
 REVISION DATE
 OF TEMPLATE.

MATERIAL	Material <not specified>
FINISH	-
DO NOT SCALE DRAWING	

DRAWN	-	1/1/2008
ENG. APPR.	MCRAE	
Q.A.		
TOLERANCES: FRACTIONAL: ±0.015" ANGULAR: MACH: ± 1° BEND: ±1° TWO PLACE DECIMAL: ±0.01" THREE PLACE DECIMAL: ±0.004"		


3000 - 90C EUROPEAN CYLINDER SERIES		SIZE	DWG. NO.	REV.
		A	S-CK00057	-
SCALE: 1:1	WEIGHT: 148.58	SHEET 1 OF 2		

REV.	DESCRIPTION	ECO NO.	APPROVED BY	DATE
-	See 75C	-	-	-



ITEM NO.	PART NUMBER	DESCRIPTION	QTY.
1	S-CK00019	EUROLINEH1 D-SERIES CYLINDER	1
2	S-LS01787	HAGERH1 KEY	3
3	M5x40mm FPHMS		1

NOTES:
PACKAGED IN PLAIN WHITE BOX

 <p>PROPRIETARY & CONFIDENTIAL THE INFORMATION CONTAINED IN THIS DRAWING IS THE SOLE PROPERTY OF HAGER COMPANIES. ANY REPRODUCTION IN PART OR AS A WHOLE WITHOUT THE WRITTEN PERMISSION OF HAGER COMPANIES IS PROHIBITED.</p>	<p>HAGER RESERVES THE RIGHT TO MAKE DESIGN CHANGES WITHOUT NOTICE. CALL HAGER ENGINEERING AT 1-800-325-9995 FOR THE LATEST REVISION DATE OF TEMPLATE.</p>	<p>DRAWN - 1/1/2008</p>	<p>3000 - 60C, 70C, and 80C EUROPEAN CYLINDER SERIES</p>			
		<p>ENG. APPR. MCRAE</p>				
		<p>MATERIAL Material <not specified></p>	<p>Q.A.</p>	<p>TOLERANCES: FRACTIONAL: ±0.015" ANGULAR: MACH: ± 1° BEND: ±1° TWO PLACE DECIMAL: ±0.01" THREE PLACE DECIMAL: ±0.004"</p>	<p>SIZE A DWG. NO. S-CK00057</p>	<p>REV. -</p>
		<p>FINISH -</p>	<p>DO NOT SCALE DRAWING</p>		<p>SCALE: 1:1</p>	<p>WEIGHT: 148.58</p>