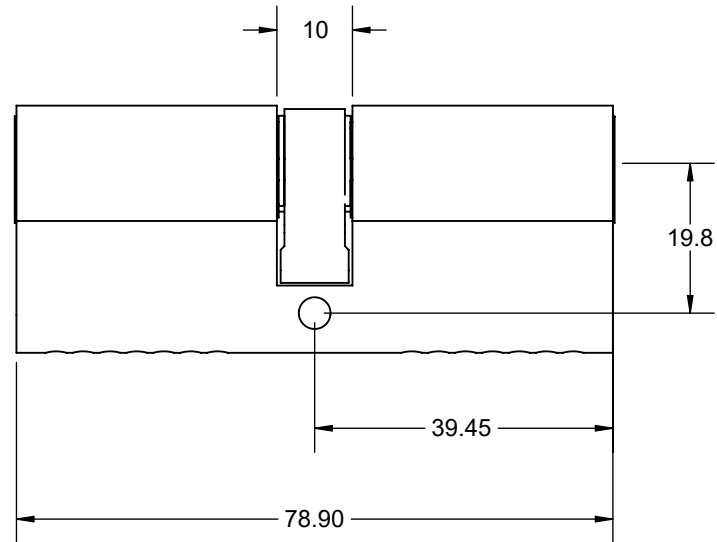
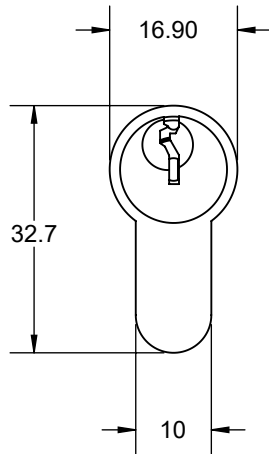


REV.	DESCRIPTION	ECO NO.	APPROVED BY	DATE
-	INITIAL CHECK IN	OT19001		5/16/2019



NOTE:
 DRILLED SEVEN PIN
 HAGER 'H1' KEYWAY



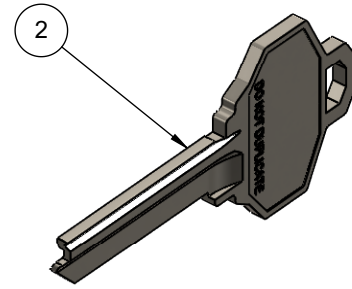
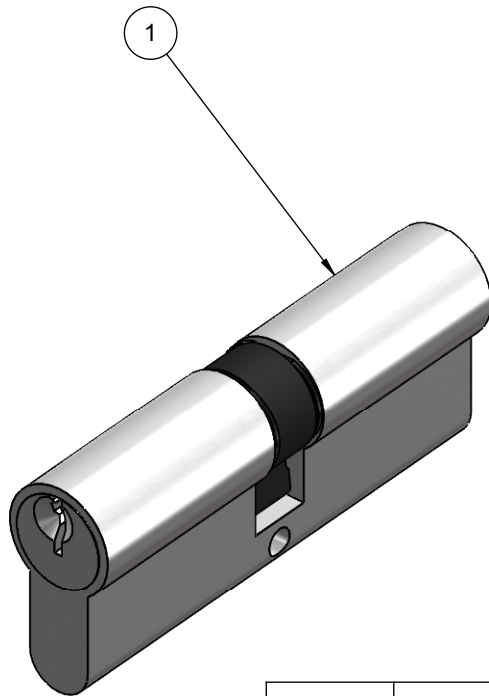
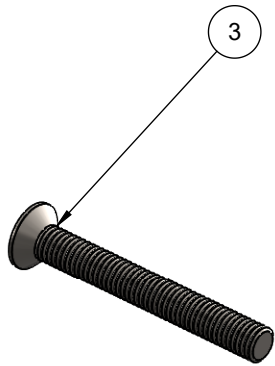
PROPRIETARY & CONFIDENTIAL
 THE INFORMATION CONTAINED
 IN THIS DRAWING IS THE SOLE
 PROPERTY OF HAGER
 COMPANIES. ANY REPRODUCTION
 IN PART OR AS A WHOLE WITHOUT
 THE WRITTEN PERMISSION OF
 HAGER COMPANIES IS PROHIBITED.

HAGER RESERVES
 THE RIGHT TO
 MAKE DESIGN
 CHANGES
 WITHOUT NOTICE.
 CALL HAGER
 ENGINEERING AT
 1-800-325-9995
 FOR THE LATEST
 REVISION DATE
 OF TEMPLATE.

	DRAWN	DRS	7/16/2014
	ENG. APPR.	-	-
MATERIAL	BRASS		
FINISH	AS SPECIFIED		
DO NOT SCALE DRAWING			
TOLERANCES: FRACTIONAL: $\pm 0.015''$ ANGULAR: MACH: $\pm 1^\circ$ BEND: $\pm 1^\circ$ TWO PLACE DECIMAL: $\pm 0.01''$ THREE PLACE DECIMAL: $\pm 0.004''$			

3000-75D - H1		Euro Double Cylinder - Hager Keyway	
SIZE	DWG. NO.	REV.	
A	S-CK00056	-	
SCALE: 1:1	WEIGHT: 148.58	SHEET 1 OF 2	

REV.	DESCRIPTION	ECO NO.	APPROVED BY	DATE
-	See 75D H1	-	-	-



ITEM NO.	FILE NAME	DESCRIPTION	QTY
1	S-CK00018	EUROLINEH1 D-SERIES CYLINDER	1
2	S-LS01787	HAGERH1 KEY	1
3	flat head screw_am		1

NOTES:
PACKAGED IN PLAIN WHITE BOX



PROPRIETARY & CONFIDENTIAL
THE INFORMATION CONTAINED IN THIS DRAWING IS THE SOLE PROPERTY OF HAGER COMPANIES. ANY REPRODUCTION IN PART OR AS A WHOLE WITHOUT THE WRITTEN PERMISSION OF HAGER COMPANIES IS PROHIBITED.

HAGER RESERVES THE RIGHT TO MAKE DESIGN CHANGES WITHOUT NOTICE. CALL HAGER ENGINEERING AT 1-800-325-9995 FOR THE LATEST REVISION DATE OF TEMPLATE.

MATERIAL		BRASS	DRAWN	DRS	7/16/2014	3000 - 75D Euro Double Cylinder - Hager Keyway Box Contents	
FINISH		AS SPECIFIED	ENG. APPR.	-	-		
DO NOT SCALE DRAWING		TOLERANCES: FRACTIONAL: $\pm 0.015''$ ANGULAR: MACH: $\pm 1^\circ$ BEND: $\pm 1^\circ$ TWO PLACE DECIMAL: $\pm 0.01''$ THREE PLACE DECIMAL: $\pm 0.004''$		SIZE		DWG. NO.	REV.
				A		S-CK00056	-
		SCALE: 1:1		WEIGHT: 148.58		SHEET 2 OF 2	