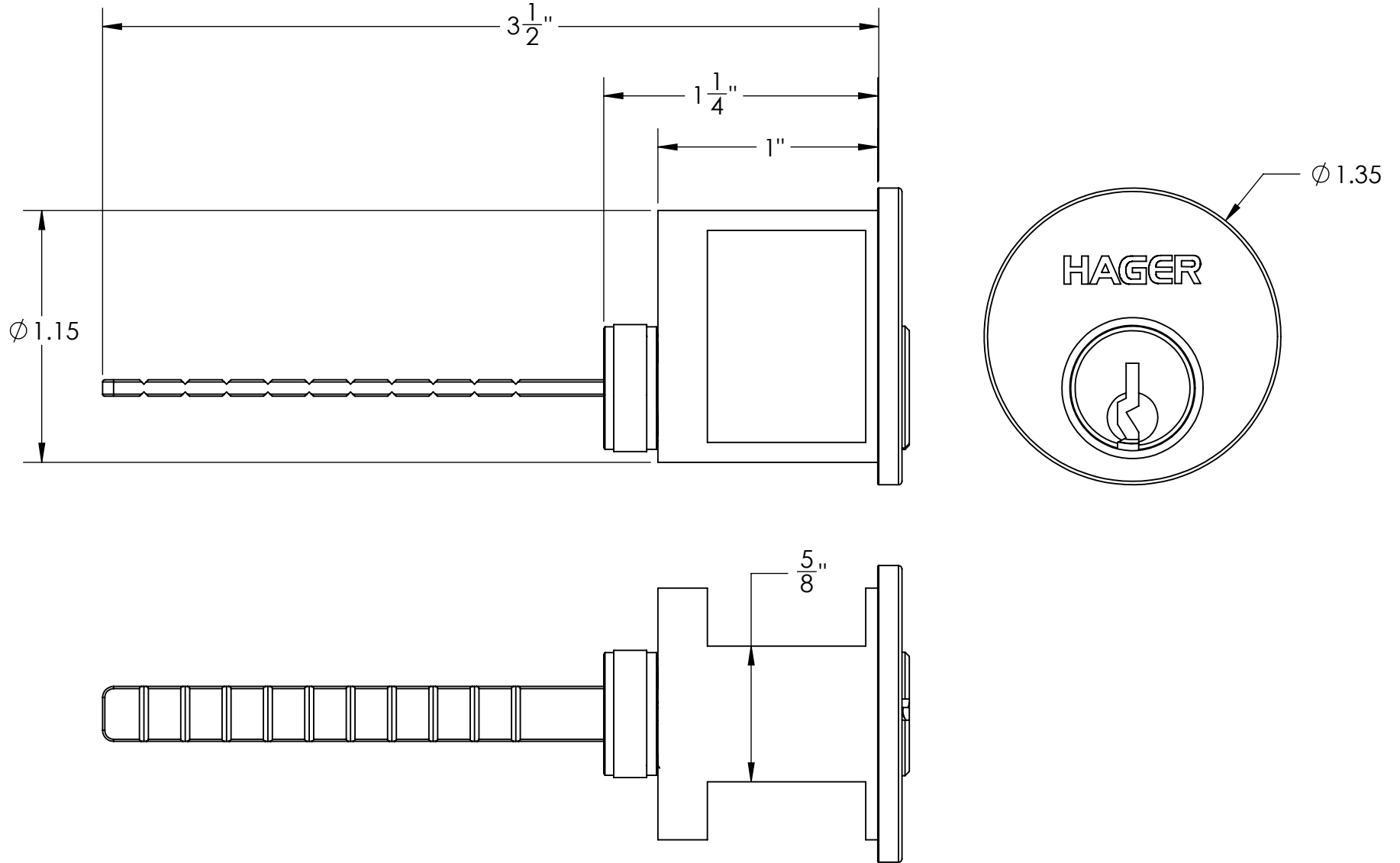


REV	DESCRIPTION	ECO NO.	DATE
-	CREATED FOR CUSTOMER REQUEST		6/19/2017



HAGER RESERVES THE RIGHT TO MAKE DESIGN CHANGES WITHOUT NOTICE. CALL HAGER ENGINEERING AT 1-800-325-9995 FOR THE LATEST REVISION DATE OF TEMPLATE.

PRIMARY DIMENSIONS SHOWN IN INCHES, DIMENSIONS IN [ ] ARE MILLIMETERS.

MATERIAL	Material <not specified>
FINISH	-
DO NOT SCALE DRAWING	

DRAWN	KJW	6/19/2017
ENG. APPR.	MAM	6/19/2017
Q.A.		
TOLERANCES:		
FRACTIONAL: $\pm 0.015$ "		
ANGULAR: MACH: $\pm 1^\circ$ BEND: $\pm 1^\circ$		
TWO PLACE DECIMAL: $\pm 0.01$ "		
THREE PLACE DECIMAL: $\pm 0.004$ "		

3901		REV.
RIM CYLINDER ASSEMBLY		-
SIZE	DWG. NO.	REV.
A	S-CK00004	-
SCALE: 3:2	WEIGHT: 0.29	SHEET 1 OF 1