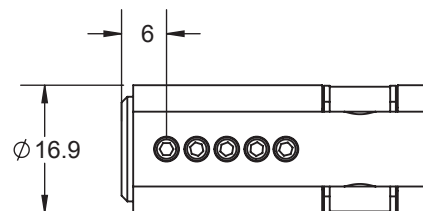
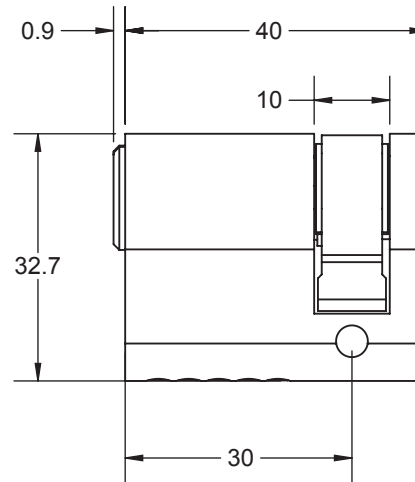
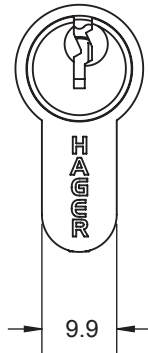


REV.	DESCRIPTION	ECO NO.	DATE
08	ADDED HAGER KEYWAY	-	7/16/2014
09	CHANGED FROM PLUGS TO SET SCREWS TO HOLD KEYING PINS	IM14034	12/17/2014
10	UPDATED H1 CYLINDER LENGTH	PPAP IM18001	12/18/2018



NOTE:
DRILLED FIVE PIN
SCHLAGE 'C' KEYWAY



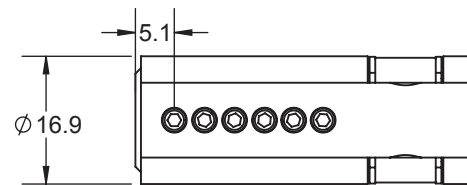
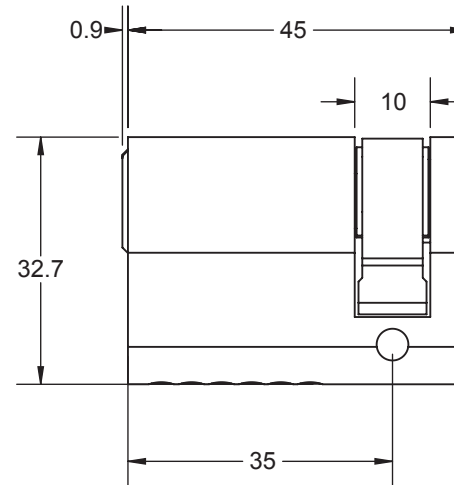
PROPRIETARY & CONFIDENTIAL
THE INFORMATION CONTAINED
IN THIS DRAWING IS THE SOLE
PROPERTY OF HAGER
COMPANIES. ANY REPRODUCTION
IN PART OR AS A WHOLE WITHOUT
THE WRITTEN PERMISSION OF
HAGER COMPANIES IS PROHIBITED.

HAGER RESERVES
THE RIGHT TO
MAKE DESIGN
CHANGES
WITHOUT NOTICE.
CALL HAGER
ENGINEERING AT
1-800-325-9995
FOR THE LATEST
REVISION DATE
OF TEMPLATE.

	DRAWN	DRS	12/30/2013
	ENG. APPR.	-	-
MATERIAL	BRASS		
FINISH	AS SPECIFIED		
DO NOT SCALE DRAWING			
TOLERANCES: FRACTIONAL: $\pm 0.015''$ ANGULAR: MACH: $\pm 1^\circ$ BEND: $\pm 1^\circ$ TWO PLACE DECIMAL: $\pm 0.01''$ THREE PLACE DECIMAL: $\pm 0.004''$			

3000-40H Euro Half Cylinder		
SIZE	DWG. NO.	REV.
A	S-CK00030	10
SCALE: 1:1	WEIGHT: 147.94	SHEET 1 OF 6

REV.	DESCRIPTION	ECO NO.	DATE
-	SEE 40H	-	-



NOTE:
DRILLED SIX PIN
SCHLAGE 'C' KEYWAY



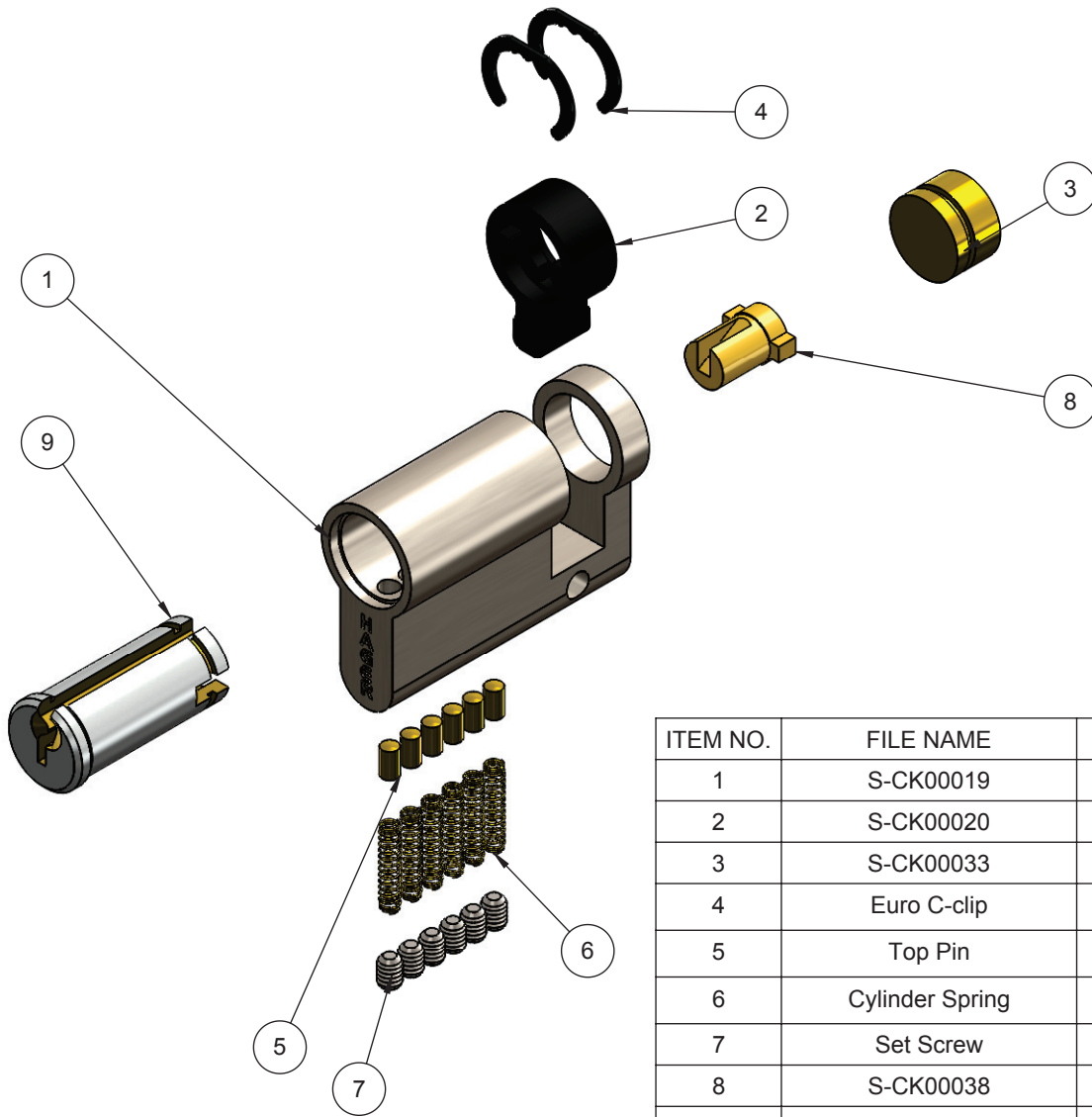
PROPRIETARY & CONFIDENTIAL
THE INFORMATION CONTAINED
IN THIS DRAWING IS THE SOLE
PROPERTY OF HAGER
COMPANIES. ANY REPRODUCTION
IN PART OR AS A WHOLE WITHOUT
THE WRITTEN PERMISSION OF
HAGER COMPANIES IS PROHIBITED.

HAGER RESERVES
THE RIGHT TO
MAKE DESIGN
CHANGES
WITHOUT NOTICE.
CALL HAGER
ENGINEERING AT
1-800-325-9995
FOR THE LATEST
REVISION DATE
OF TEMPLATE.


	DRAWN	DRS	12/30/2013
	ENG. APPR.	-	-
MATERIAL	BRASS		
FINISH	AS SPECIFIED		
DO NOT SCALE DRAWING			
TOLERANCES: FRACTIONAL: ± 0.015 " ANGULAR: MACH: $\pm 1^\circ$ BEND: $\pm 1^\circ$ TWO PLACE DECIMAL: ± 0.01 " THREE PLACE DECIMAL: ± 0.004 "			

3000-45H Euro Half Cylinder		SIZE	DWG. NO.	REV.
		A	S-CK00030	10
SCALE: 1:1	WEIGHT: 147.94	SHEET 2 OF 6		

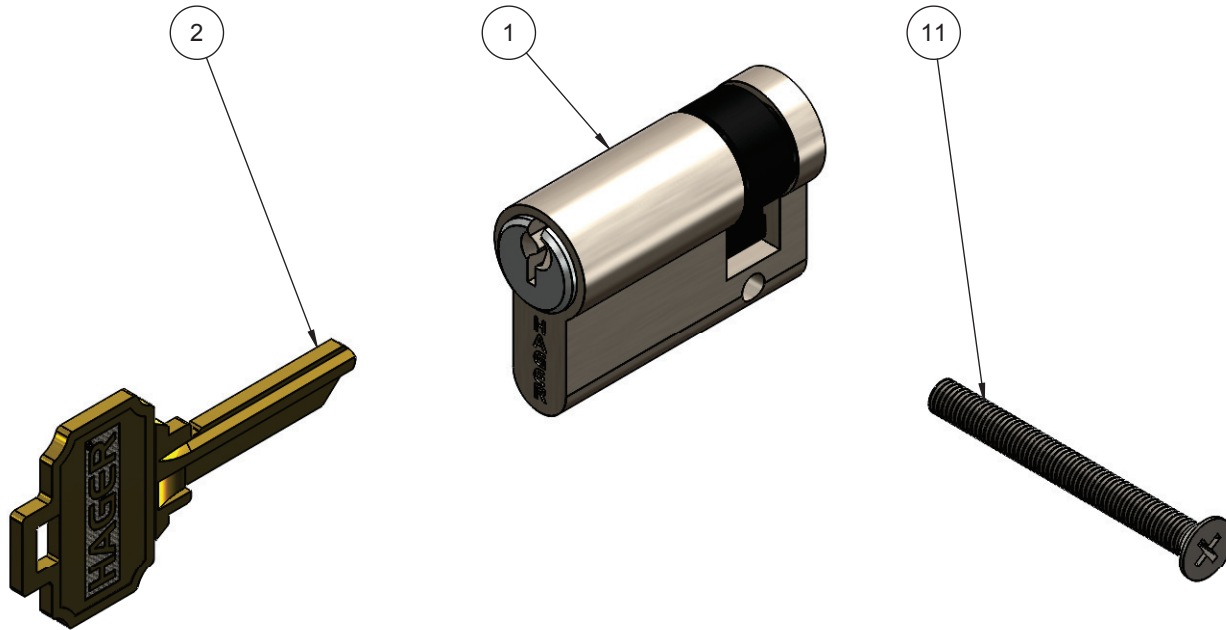
REV.	DESCRIPTION	ECO NO.	DATE
-	See 40H	-	-



ITEM NO.	FILE NAME	DESCRIPTION	40mm QTY	45mm QTY.
1	S-CK00019	EURO H-SERIES CYLINDER	1	1
2	S-CK00020	MAIN CAM	1	1
3	S-CK00033	BRASS END CAP	1	1
4	Euro C-clip	EURO C-CLIP	2	2
5	Top Pin	TOP PIN (SCHLAGE C)	5	6
6	Cylinder Spring	EURO CYLINDER PIN SPRING	5	6
7	Set Screw	#6-32 x 3/16 FP Set Screw	5	6
8	S-CK00038	KEY GROOVE CYLINDER CAM	1	1
9	S-CK00032	6-PIN CYLINDER PLUG (SCHLAGE C)	0	1
9	S-CK00032	5-PIN CYLINDER PLUG (SCHLAGE C)	1	1


 <p>PROPRIETARY & CONFIDENTIAL THE INFORMATION CONTAINED IN THIS DRAWING IS THE SOLE PROPERTY OF HAGER COMPANIES. ANY REPRODUCTION IN PART OR AS A WHOLE WITHOUT THE WRITTEN PERMISSION OF HAGER COMPANIES IS PROHIBITED.</p>	<p>HAGER RESERVES THE RIGHT TO MAKE DESIGN CHANGES WITHOUT NOTICE. CALL HAGER ENGINEERING AT 1-800-325-9995 FOR THE LATEST REVISION DATE OF TEMPLATE.</p>	DRAWN	DRS	12/30/2013	<p>3000 - 40H and 45H Euro Half Cylinder BOM</p>			
		MATERIAL	BRASS					ENG. APPR.
		FINISH	AS SPECIFIED		Q.A.			
		DO NOT SCALE DRAWING		<p>TOLERANCES: FRACTIONAL: ±0.015" ANGULAR: MACH: ± 1° BEND: ±1° TWO PLACE DECIMAL: ±0.01" THREE PLACE DECIMAL: ±0.004"</p>			SIZE	DWG. NO.
					A	S-CK00030	10	
					SCALE: 1:1	WEIGHT: 147.94	SHEET 4 OF 6	

REV.	DESCRIPTION	ECO NO.	DATE
-	See 40H	-	-



NOTES:
 1) PACKAGED IN BLUE AND WHITE EUROLINE BOX
 2) CYLINDER LENGTHS OF 40mm, or 45mm

ITEM NO.	FILE NAME	DESCRIPTION	QTY.
1	S-CK00019	EURO H-SERIES CYLINDER	1
2	S-LS00555	CUT KEY SCC, 6 PIN, HAGER KEYBOW	3
11	flat head screw_am		1

 PROPRIETARY & CONFIDENTIAL THE INFORMATION CONTAINED IN THIS DRAWING IS THE SOLE PROPERTY OF HAGER COMPANIES. ANY REPRODUCTION IN PART OR AS A WHOLE WITHOUT THE WRITTEN PERMISSION OF HAGER COMPANIES IS PROHIBITED.	HAGER RESERVES THE RIGHT TO MAKE DESIGN CHANGES WITHOUT NOTICE. CALL HAGER ENGINEERING AT 1-800-325-9995 FOR THE LATEST REVISION DATE OF TEMPLATE.	DRAWN	-	1/1/2008	3000 - 40H and 45H EUROPEAN CYLINDER SERIES
		ENG. APPR.	MCRAE		
		MATERIAL	Material <not specified>		
		FINISH	-		
DO NOT SCALE DRAWING		TOLERANCES: FRACTIONAL: ±0.015" ANGULAR: MACH: ±1° BEND: ±1° TWO PLACE DECIMAL: ±0.01" THREE PLACE DECIMAL: ±0.004"		SIZE A DWG. NO. S-CK00030 REV. 10	SCALE: 1:1 WEIGHT: 147.94 SHEET 5 OF 6