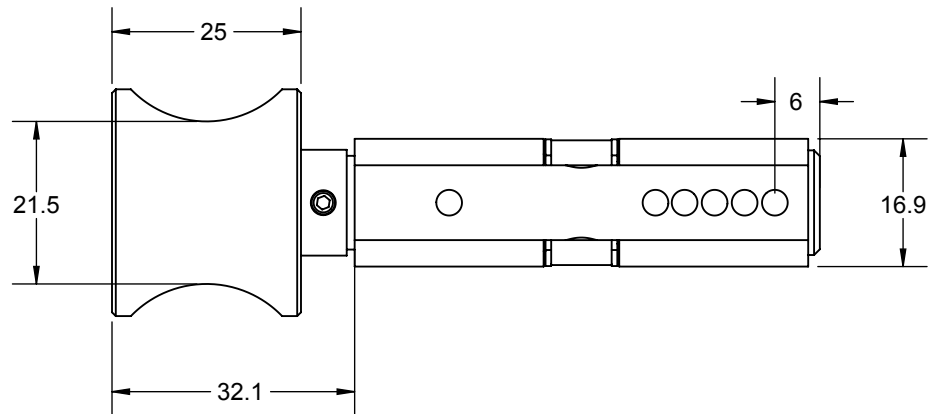
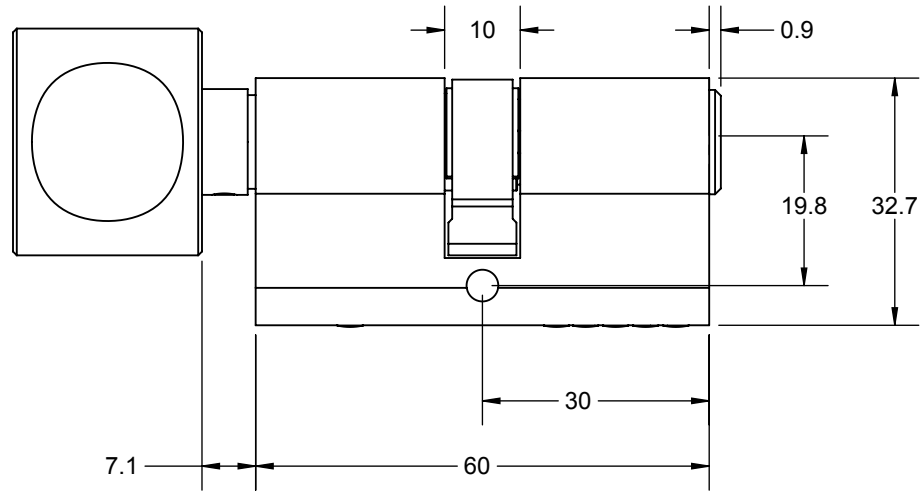
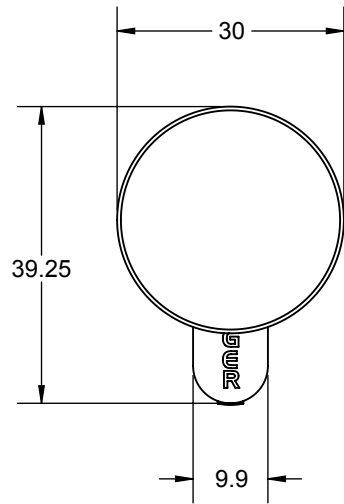


REV.	DESCRIPTION	ECO NO.	DATE
03		IM10016	1/3/2014
04	CHANGED TO SINGLE DIMENSION	IM14001	5/20/2014
05	UPDATED # OF KEYS ON UNC	-	6/11/2014



**NOTE:**  
 DRILLED FIVE PIN  
 SCHLAGE 'C' KEYWAY



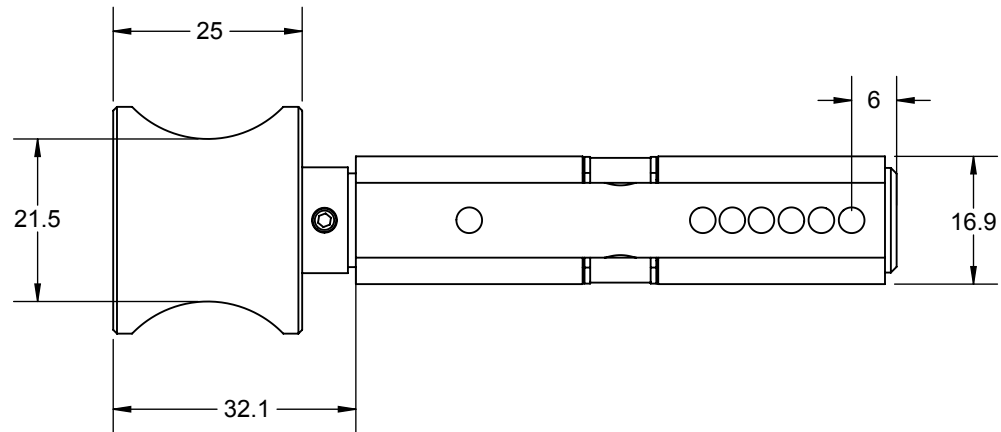
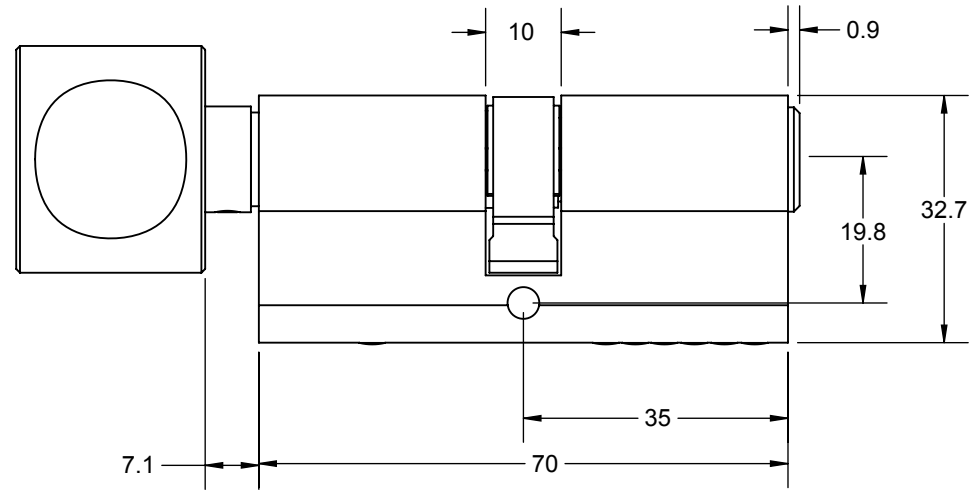
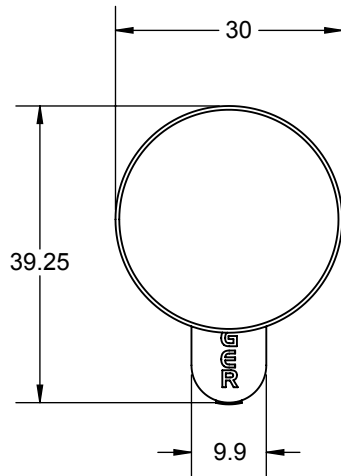
**PROPRIETARY & CONFIDENTIAL**  
 THE INFORMATION CONTAINED  
 IN THIS DRAWING IS THE SOLE  
 PROPERTY OF HAGER  
 COMPANIES. ANY REPRODUCTION  
 IN PART OR AS A WHOLE WITHOUT  
 THE WRITTEN PERMISSION OF  
 HAGER COMPANIES IS PROHIBITED.

HAGER RESERVES  
 THE RIGHT TO  
 MAKE DESIGN  
 CHANGES  
 WITHOUT NOTICE.  
 CALL HAGER  
 ENGINEERING AT  
 1-800-325-9995  
 FOR THE LATEST  
 REVISION DATE  
 OF TEMPLATE.

	DRAWN	DRS	12/30/2013
	ENG. APPR.	-	-
MATERIAL	BRASS		
FINISH	AS SPECIFIED		
DO NOT SCALE DRAWING			
TOLERANCES: FRACTIONAL: $\pm 0.015''$ ANGULAR: MACH: $\pm 1^\circ$ BEND: $\pm 1^\circ$ TWO PLACE DECIMAL: $\pm 0.01''$ THREE PLACE DECIMAL: $\pm 0.004''$			

3000-60C Euro Thumbturn Cylinder		SIZE	DWG. NO.	REV.
		<b>A</b>	S-CK00029	05
SCALE: 1:1	WEIGHT: 193.13	SHEET 1 OF 6		

REV.	DESCRIPTION	ECO NO.	DATE
-	See 60C	-	-



NOTE:  
DRILLED SIX PIN  
SCHLAGE 'C' KEYWAY



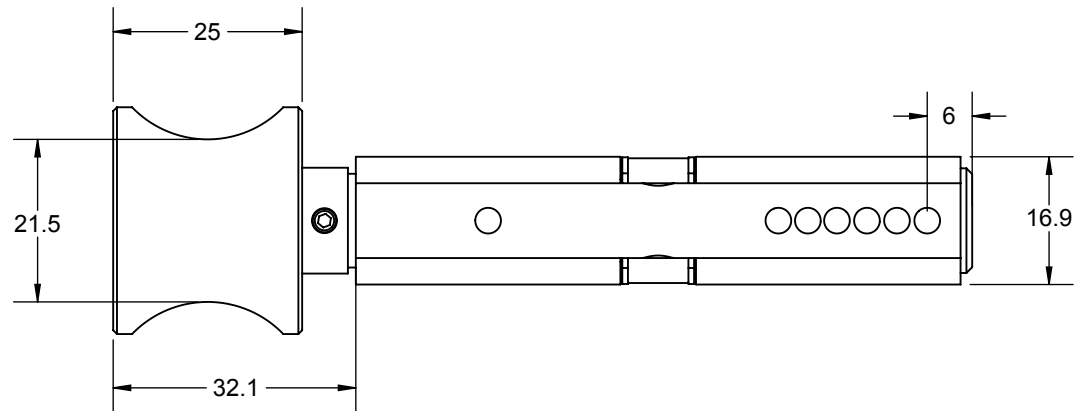
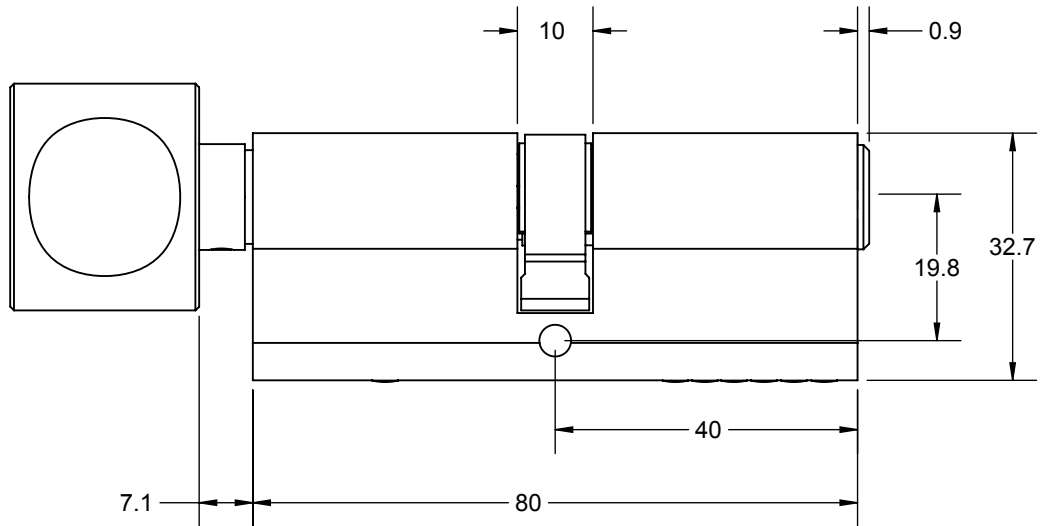
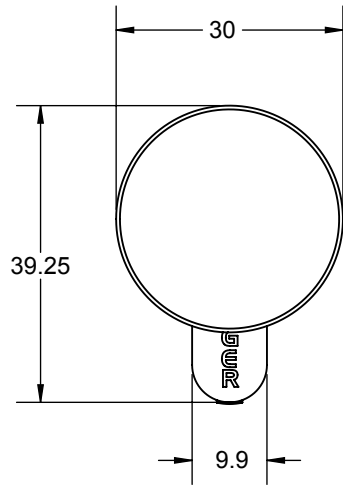
**PROPRIETARY & CONFIDENTIAL**  
THE INFORMATION CONTAINED  
IN THIS DRAWING IS THE SOLE  
PROPERTY OF HAGER  
COMPANIES. ANY REPRODUCTION  
IN PART OR AS A WHOLE WITHOUT  
THE WRITTEN PERMISSION OF  
HAGER COMPANIES IS PROHIBITED.

HAGER RESERVES  
THE RIGHT TO  
MAKE DESIGN  
CHANGES  
WITHOUT NOTICE.  
CALL HAGER  
ENGINEERING AT  
1-800-325-9995  
FOR THE LATEST  
REVISION DATE  
OF TEMPLATE.

	DRAWN	DRS	12/30/2013
	ENG. APPR.	-	-
MATERIAL	BRASS		
FINISH	AS SPECIFIED		
DO NOT SCALE DRAWING			
TOLERANCES: FRACTIONAL: $\pm 0.015"$ ANGULAR: MACH: $\pm 1^\circ$ BEND: $\pm 1^\circ$ TWO PLACE DECIMAL: $\pm 0.01"$ THREE PLACE DECIMAL: $\pm 0.004"$			

3000-70C Euro Thumbturn Cylinder		SIZE	DWG. NO.	REV.
		<b>A</b>	S-CK00029	05
SCALE: 1:2	WEIGHT: 193.13	SHEET 2 OF 6		

REV.	DESCRIPTION	ECO NO.	DATE
-	See 60C	-	-



**NOTE:**  
DRILLED SIX PIN  
SCHLAGE 'C' KEYWAY



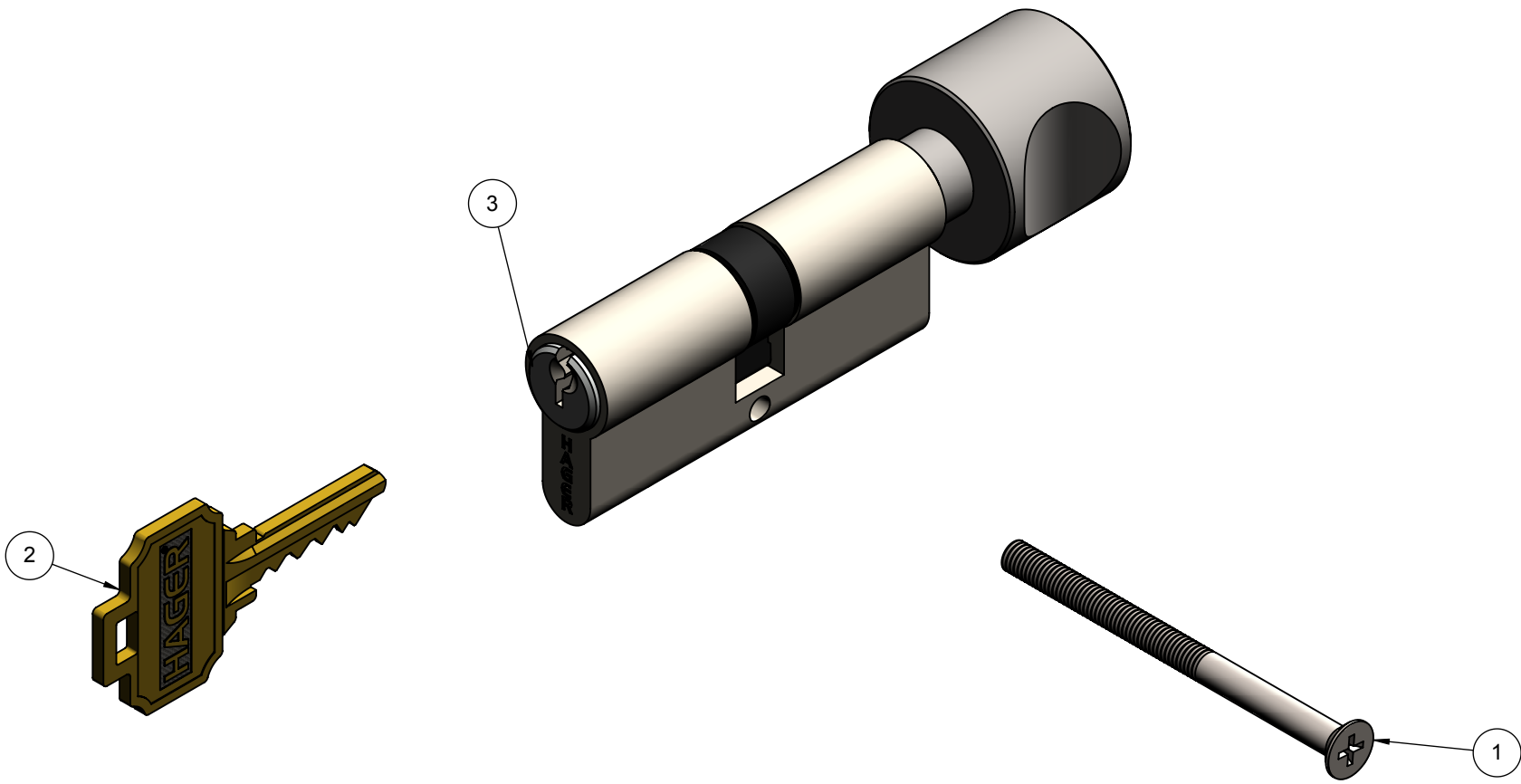
**PROPRIETARY & CONFIDENTIAL**  
THE INFORMATION CONTAINED  
IN THIS DRAWING IS THE SOLE  
PROPERTY OF HAGER  
COMPANIES. ANY REPRODUCTION  
IN PART OR AS A WHOLE WITHOUT  
THE WRITTEN PERMISSION OF  
HAGER COMPANIES IS PROHIBITED.

HAGER RESERVES  
THE RIGHT TO  
MAKE DESIGN  
CHANGES  
WITHOUT NOTICE.  
CALL HAGER  
ENGINEERING AT  
1-800-325-9995  
FOR THE LATEST  
REVISION DATE  
OF TEMPLATE.

	DRAWN	DRS	12/30/2013
	ENG. APPR.	-	-
MATERIAL	BRASS		
FINISH	AS SPECIFIED		
DO NOT SCALE DRAWING			
TOLERANCES: FRACTIONAL: $\pm 0.015"$ ANGULAR: MACH: $\pm 1^\circ$ BEND: $\pm 1^\circ$ TWO PLACE DECIMAL: $\pm 0.01"$ THREE PLACE DECIMAL: $\pm 0.004"$			

3000-80C Euro Thumbturn Cylinder		SIZE	DWG. NO.	REV.
		<b>A</b>	S-CK00029	05
SCALE: 1:1	WEIGHT: 193.13	SHEET 3 OF 6		


REV.	DESCRIPTION	DATE	APPROVED
-	See 60C	-	-



**NOTES:**

- 1) PACKAGED IN BLUE AND WHITE EUROLINE BOX
- 2) CYLINDER LENGTHS OF 60mm, 70mm, or 80mm

ITEM NO.	FILE NAME	DESCRIPTION	QTY
1	flat head screw_am	FPHMS M5X70mm	1
2	S-LS00555	CUT KEY SCC	3
3	S-CK00018	EURO C-SERIES CYLINDER	1

 <p><b>PROPRIETARY &amp; CONFIDENTIAL</b> THE INFORMATION CONTAINED IN THIS DRAWING IS THE SOLE PROPERTY OF HAGER COMPANIES. ANY REPRODUCTION IN PART OR AS A WHOLE WITHOUT THE WRITTEN PERMISSION OF HAGER COMPANIES IS PROHIBITED.</p>	<p>HAGER RESERVES THE RIGHT TO MAKE DESIGN CHANGES WITHOUT NOTICE. CALL HAGER ENGINEERING AT 1-800-325-9995 FOR THE LATEST REVISION DATE OF TEMPLATE.</p>	DRAWN	DRS	12/30/2013	<p>3000 - 60C, 70C, and 80C Euro Thumbturn Cylinder Box Contents</p>	
		MATERIAL	-	ENG. APPR.		-
		FINISH	AS SPECIFIED	Q.A.		
		DO NOT SCALE DRAWING		<p>TOLERANCES: FRACTIONAL: ±0.015" ANGULAR: MACH: ± 1° BEND: ±1° TWO PLACE DECIMAL: ±0.01" THREE PLACE DECIMAL: ±0.004"</p>		
		SIZE	DWG. NO.		REV.	
		A	S-CK00029		05	
		SCALE: 1:1	WEIGHT: 193.13		SHEET 5 OF 6	