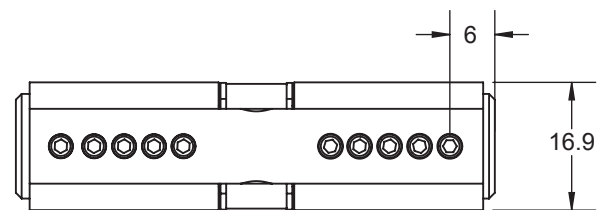
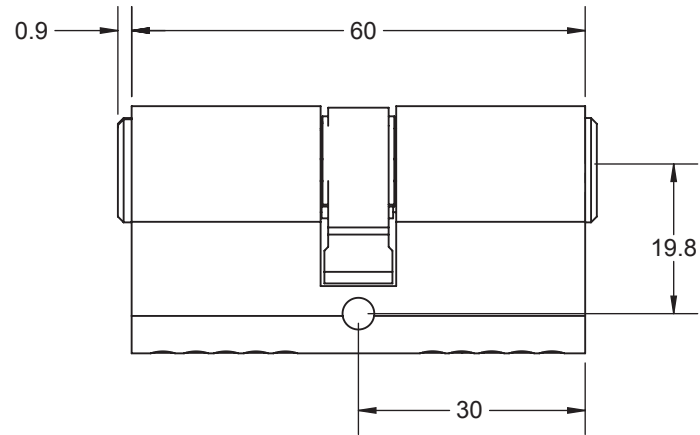
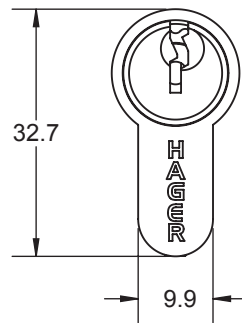


REV.	DESCRIPTION	ECO NO.	DATE
06	ADDED HAGER KEYWAY	-	7/16/2014
07	CHANGED FROM PLUGS TO SET SCREWS TO HOLD KEYING PINS	IM14034	12/17/2014
08	UPDATED H1 CYLINDER LENGTH	PPAP IM18001	12/18/2018



NOTE:
DRILLED FIVE PIN
SCHLAGE 'C' KEYWAY



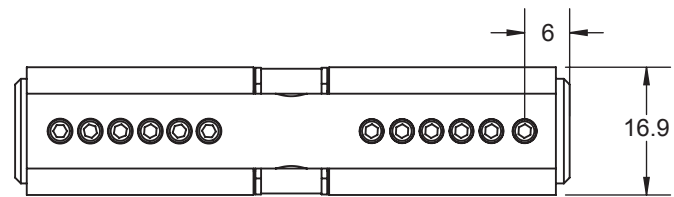
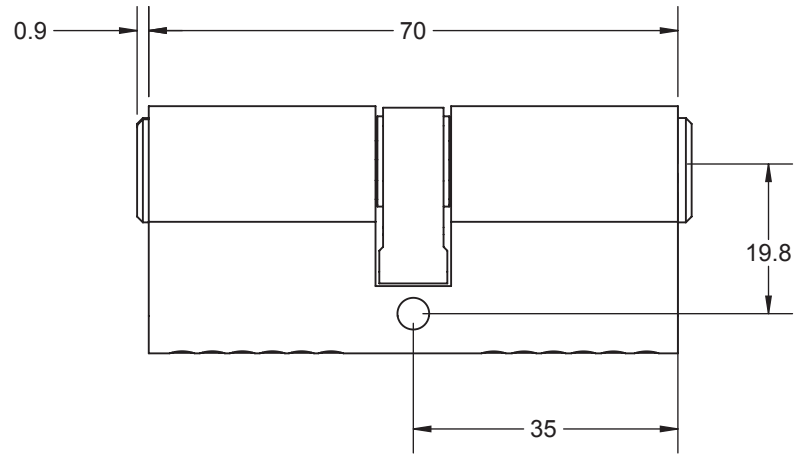
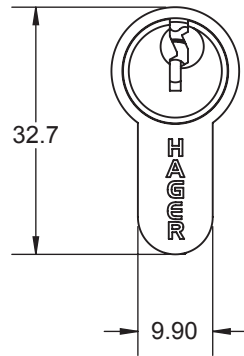
PROPRIETARY & CONFIDENTIAL
THE INFORMATION CONTAINED
IN THIS DRAWING IS THE SOLE
PROPERTY OF HAGER
COMPANIES. ANY REPRODUCTION
IN PART OR AS A WHOLE WITHOUT
THE WRITTEN PERMISSION OF
HAGER COMPANIES IS PROHIBITED.

HAGER RESERVES
THE RIGHT TO
MAKE DESIGN
CHANGES
WITHOUT NOTICE.
CALL HAGER
ENGINEERING AT
1-800-325-9995
FOR THE LATEST
REVISION DATE
OF TEMPLATE.

	DRAWN	DRS	12/30/2013
	ENG. APPR.	-	-
MATERIAL	BRASS		
FINISH	AS SPECIFIED		
DO NOT SCALE DRAWING			
TOLERANCES: FRACTIONAL: $\pm 0.015''$ ANGULAR: MACH: $\pm 1^\circ$ BEND: $\pm 1^\circ$ TWO PLACE DECIMAL: $\pm 0.01''$ THREE PLACE DECIMAL: $\pm 0.004''$			

3000-60D Euro Double Cylinder		SIZE	DWG. NO.	REV.
		A	S-CK00028	08
SCALE: 1:1	WEIGHT: 147.94	SHEET 1 OF 7		

REV.	DESCRIPTION	ECO NO.	DATE
-	See 60D	-	-



NOTE:
 DRILLED SIX PIN
 SCHLAGE 'C' KEYWAY



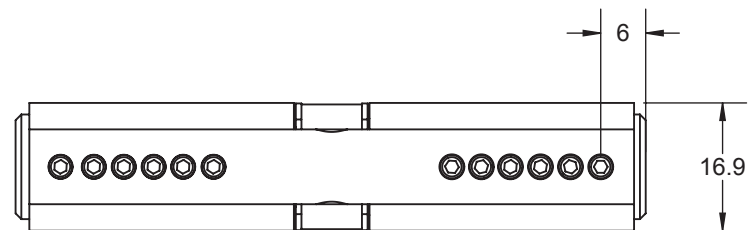
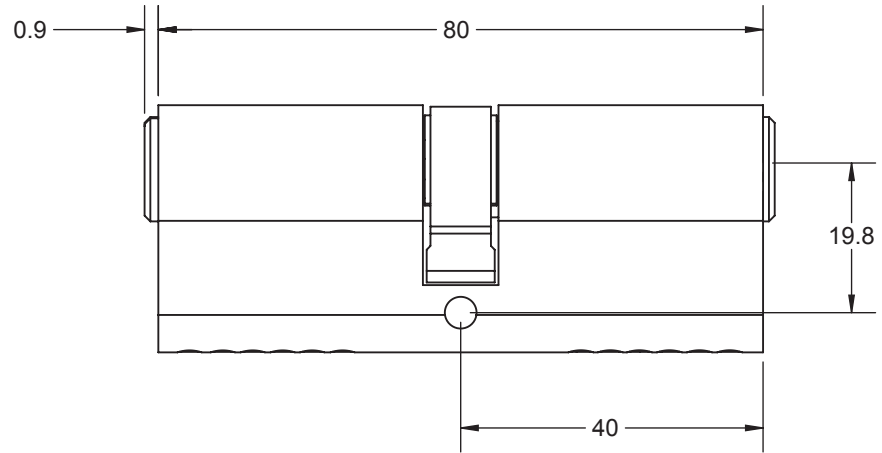
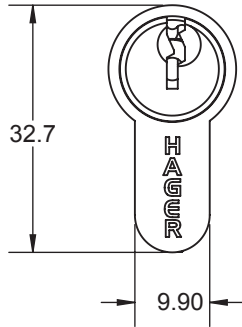
PROPRIETARY & CONFIDENTIAL
 THE INFORMATION CONTAINED
 IN THIS DRAWING IS THE SOLE
 PROPERTY OF HAGER
 COMPANIES. ANY REPRODUCTION
 IN PART OR AS A WHOLE WITHOUT
 THE WRITTEN PERMISSION OF
 HAGER COMPANIES IS PROHIBITED.

HAGER RESERVES
 THE RIGHT TO
 MAKE DESIGN
 CHANGES
 WITHOUT NOTICE.
 CALL HAGER
 ENGINEERING AT
 1-800-325-9995
 FOR THE LATEST
 REVISION DATE
 OF TEMPLATE.

	DRAWN	DRS	12/30/2013
	ENG. APPR.	-	-
MATERIAL	BRASS		
FINISH	AS SPECIFIED		
DO NOT SCALE DRAWING			
TOLERANCES: FRACTIONAL: ±0.015" ANGULAR: MACH: ± 1° BEND: ±1° TWO PLACE DECIMAL: ±0.01" THREE PLACE DECIMAL: ±0.004"			

3000-70D		Euro Double Cylinder	
SIZE	DWG. NO.	REV.	
A	S-CK00028	08	
SCALE: 1:1	WEIGHT: 147.94	SHEET 2 OF 7	

REV.	DESCRIPTION	ECO NO.	DATE
-	See 60D	-	-



NOTE:
DRILLED SIX PIN
SCHLAGE 'C' KEYWAY



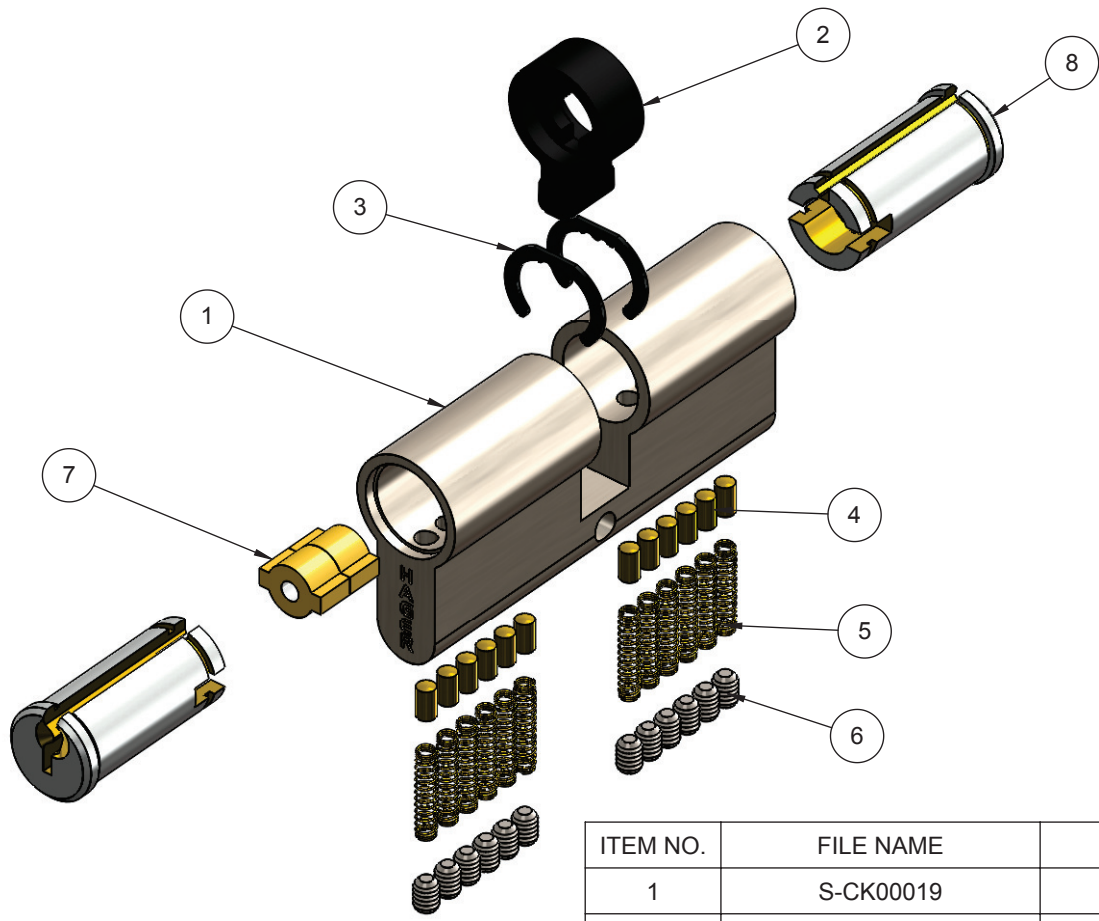
PROPRIETARY & CONFIDENTIAL
THE INFORMATION CONTAINED
IN THIS DRAWING IS THE SOLE
PROPERTY OF HAGER
COMPANIES. ANY REPRODUCTION
IN PART OR AS A WHOLE WITHOUT
THE WRITTEN PERMISSION OF
HAGER COMPANIES IS PROHIBITED.

HAGER RESERVES
THE RIGHT TO
MAKE DESIGN
CHANGES
WITHOUT NOTICE.
CALL HAGER
ENGINEERING AT
1-800-325-9995
FOR THE LATEST
REVISION DATE
OF TEMPLATE.


	DRAWN	DRS	12/30/2013
	ENG. APPR.	-	-
MATERIAL	BRASS		
FINISH	AS SPECIFIED		
DO NOT SCALE DRAWING			
TOLERANCES:		FRACTIONAL: $\pm 0.015"$	
		ANGULAR: MACH: $\pm 1^\circ$ BEND: $\pm 1^\circ$	
		TWO PLACE DECIMAL: $\pm 0.01"$	
		THREE PLACE DECIMAL: $\pm 0.004"$	

3000-80D Euro Double Cylinder		SIZE	DWG. NO.	REV.
		A	S-CK00028	08
SCALE: 1:1	WEIGHT: 147.94	SHEET 4 OF 7		

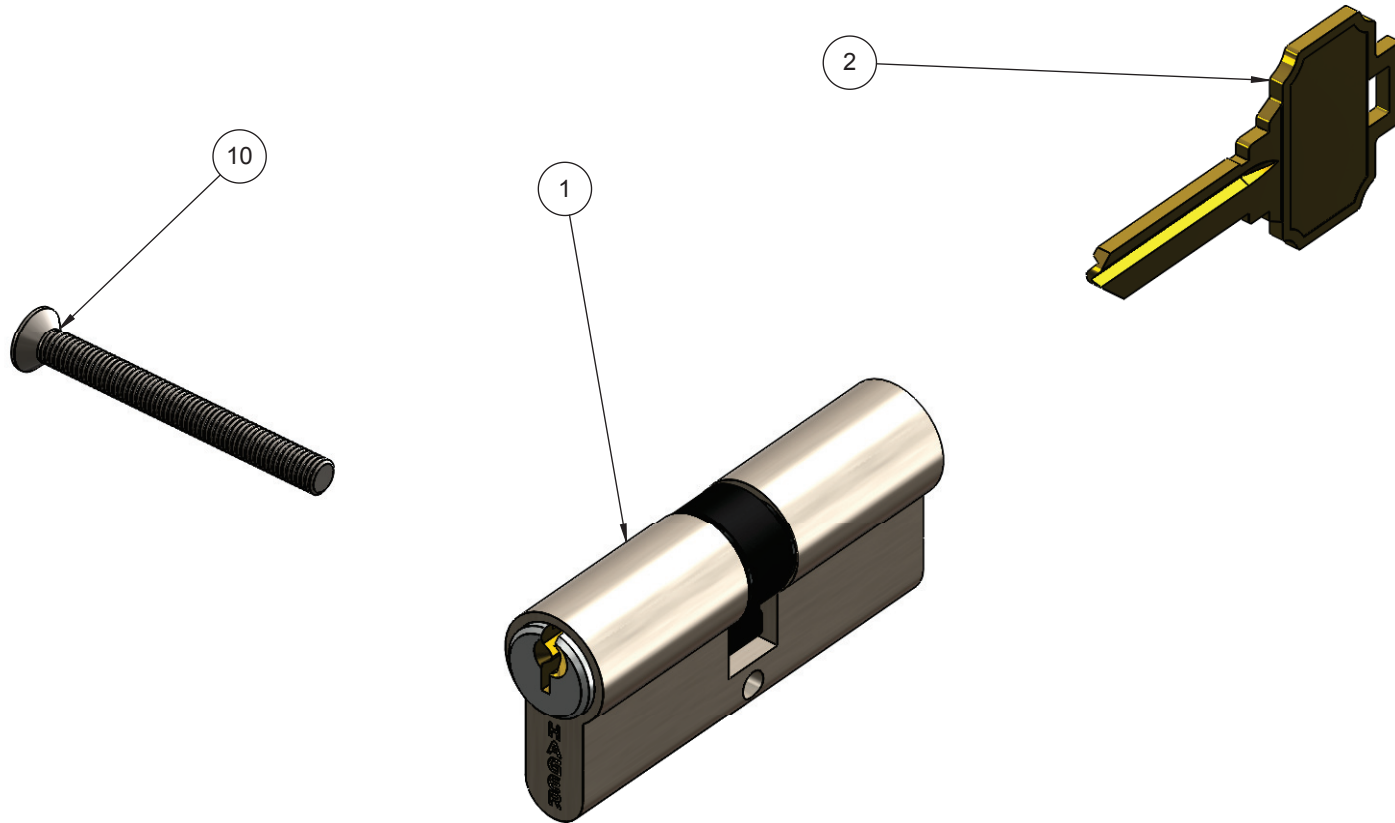
REV.	DESCRIPTION	ECO NO.	DATE
-	See 60D	-	-



ITEM NO.	FILE NAME	DESCRIPTION	60mm QTY	70,80mm QTY.
1	S-CK00019	EUROLINE D-SERIES CYLINIDER	1	1
2	S-CK00020	MAIN CAM	1	1
3	Euro C-clip	EURO C-CLIP	2	2
4	Top Pin	TOP PIN (SCHLAGE C)	10	12
5	Cylinder Spring	EURO CYLINDER PIN SPRING	10	12
6	Set Screw	#6-32 x 3/16 FP Set Screw	10	12
7	S-CK00038	SPLIT CYLINDER WING CAM	1	1
8	S-CK00032	6-PIN CYLINDER PLUG (SCHLAGE C)	0	2
8	S-CK00032	5-PIN CYLINDER PLUG (SCHLAGE C)	2	0

 <p>PROPRIETARY & CONFIDENTIAL THE INFORMATION CONTAINED IN THIS DRAWING IS THE SOLE PROPERTY OF HAGER COMPANIES. ANY REPRODUCTION IN PART OR AS A WHOLE WITHOUT THE WRITTEN PERMISSION OF HAGER COMPANIES IS PROHIBITED.</p>	<p>HAGER RESERVES THE RIGHT TO MAKE DESIGN CHANGES WITHOUT NOTICE. CALL HAGER ENGINEERING AT 1-800-325-9995 FOR THE LATEST REVISION DATE OF TEMPLATE.</p>	<p>DRAWN: DRS 12/30/2013</p>	<p>3000 - 60D, 70D, and 80D Euro Double Cylinder BOM</p>				
		<p>ENG. APPR.:</p>					
		<p>MATERIAL: BRASS</p>	<p>Q.A.:</p>	<p>TOLERANCES: FRACTIONAL: ±0.015" ANGULAR: MACH: ± 1° BEND: ±1° TWO PLACE DECIMAL: ±0.01" THREE PLACE DECIMAL: ±0.004"</p>	<p>SIZE: A</p>	<p>DWG. NO. S-CK00028</p>	<p>REV. 08</p>
		<p>FINISH: AS SPECIFIED</p>	<p>DO NOT SCALE DRAWING</p>		<p>SCALE: 1:1</p>	<p>WEIGHT: 147.94</p>	<p>SHEET 5 OF 7</p>


REV.	DESCRIPTION	ECO NO.	DATE
-	See 60D	-	-



NOTES:

- 1) PACKAGED IN BLUE AND WHITE EUROLINE BOX
- 2) CYLINDER LENGTHS OF 60mm, 70mm, or 80mm

ITEM NO.	FILE NAME	DESCRIPTION	QTY
1	S-CK00018	EUROLINE D-SERIES CYLINDER	1
2	S-LS00555	CUT KEY SCC, 6 PIN, HAGER KEYBOW	3
10	flat head screw_am		1

 <p>PROPRIETARY & CONFIDENTIAL THE INFORMATION CONTAINED IN THIS DRAWING IS THE SOLE PROPERTY OF HAGER COMPANIES. ANY REPRODUCTION IN PART OR AS A WHOLE WITHOUT THE WRITTEN PERMISSION OF HAGER COMPANIES IS PROHIBITED.</p>	<p>HAGER RESERVES THE RIGHT TO MAKE DESIGN CHANGES WITHOUT NOTICE. CALL HAGER ENGINEERING AT 1-800-325-9995 FOR THE LATEST REVISION DATE OF TEMPLATE.</p>	<p>DRAWN - 1/1/2008</p>	<p>3000 - 60D, 70D, and 80D EUROPEAN DOUBLE CYLINDER BOX CONTENTS</p>			
		<p>ENG. APPR. MCRAE</p>				
		<p>MATERIAL Material <not specified></p>	<p>Q.A.</p>	<p>TOLERANCES: FRACTIONAL: ±0.015" ANGULAR: MACH: ± 1° BEND: ±1° TWO PLACE DECIMAL: ±0.01" THREE PLACE DECIMAL: ±0.004"</p>	<p>SIZE A DWG. NO. S-CK00028</p>	<p>REV. 08</p>
		<p>FINISH -</p>	<p>DO NOT SCALE DRAWING</p>		<p>SCALE: 1:1</p>	<p>WEIGHT: 147.94</p>