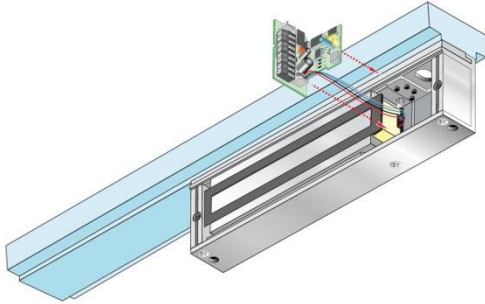
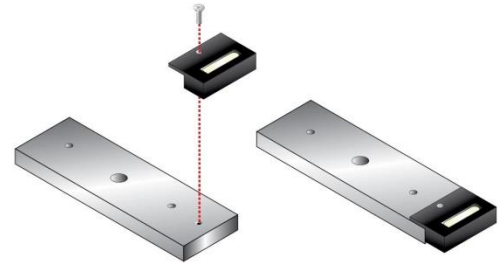


Modular Kits

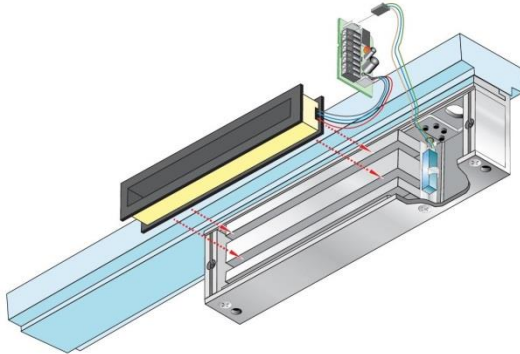
Timer Input Module
2-679-0109



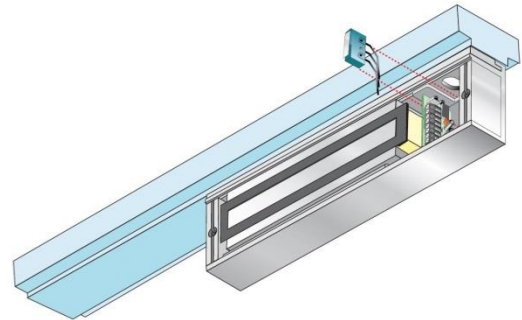
Door Position Sensor
2-679-0110



Magnetic Bond Sensor
2-679-0111

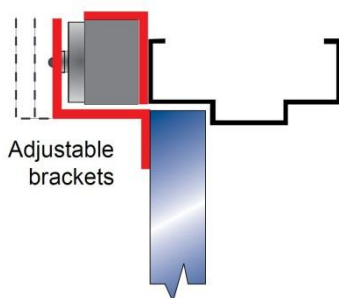


Anti-Tamper Switch
2-679-0112



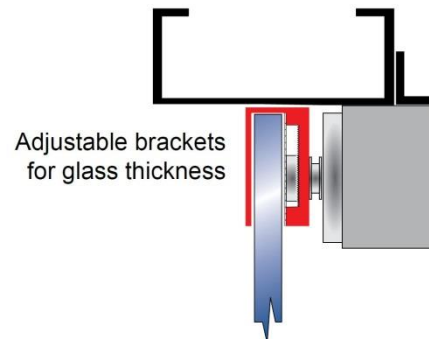
Mounting Kits

Top Jamb Mounting Brackets



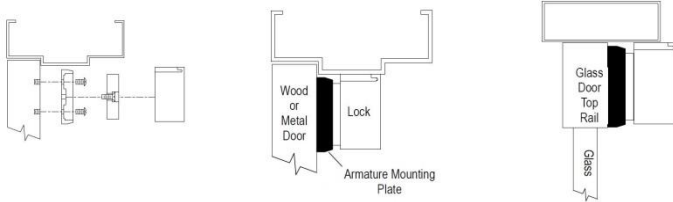
- 2-679-0120 Top Jamb Kit for 2951/2953 ALM
- 2-679-0121 Top Jamb Kit for 2951/2953 DBZ
- 2-679-0130 Top Jamb Kit for 2952/2954 ALM
- 2-679-0131 Top Jamb Kit for 2952/2954 DBZ

Glass Door Mounting Kit



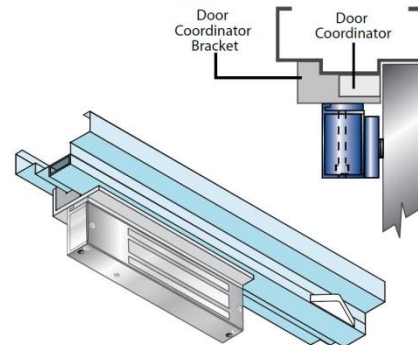
- 2-679-0160 Glass Door Kit ALM
 - 2-679-0161 Glass Door Kit DBZ
- Requires two for 2952 and 2954.**

Armature Mounting Plate



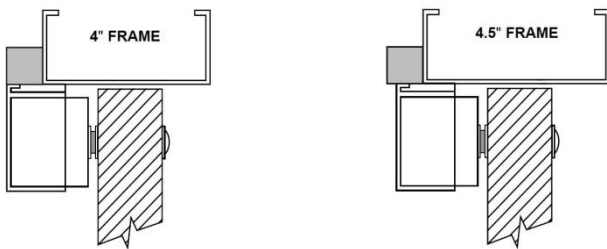
- 2-679-0204 Armature Mounting Plate
- 2-679-0205 Armature Mounting Plate with Sensor
Requires two for 2952 and 2954.

Door Coordinator Lock Mounting Kit



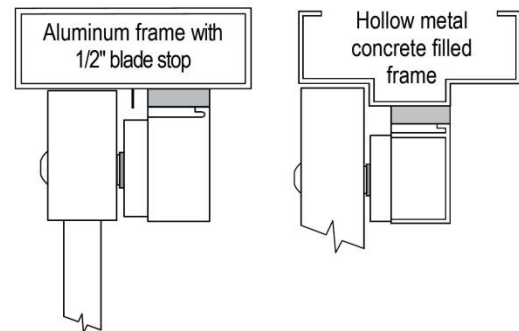
- 2-679-0210 Door Coordinator Lock Mounting Kit for 2951/2953
- 2-679-0220 Door Coordinator Lock Mounting Kit for 2952/2954

Universal Header Bracket



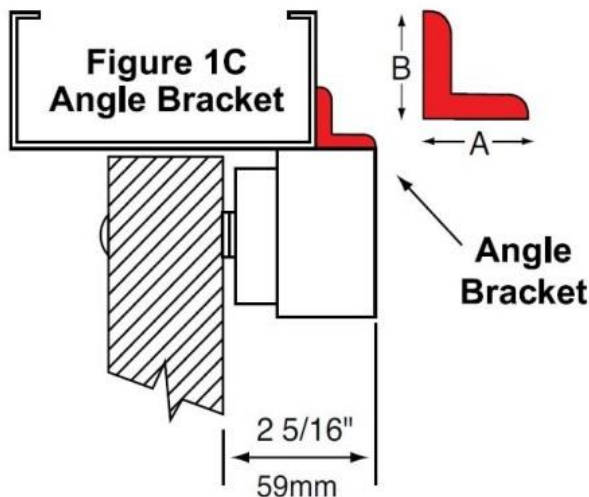
- 2-679-0180 1"x1"x11" (25x25x279mm) for 2951/2953 ALM
- 2-679-0181 1"x1"x11" (25x25x279mm) for 2951/2953 DBZ
- 2-679-0190 1"x1"x22" (25x25x559mm) for 2952/2954 ALM
- 2-679-0191 1"x1"x22" (25x25x559mm) for 2952/2954 DBZ

Spacer Bracket



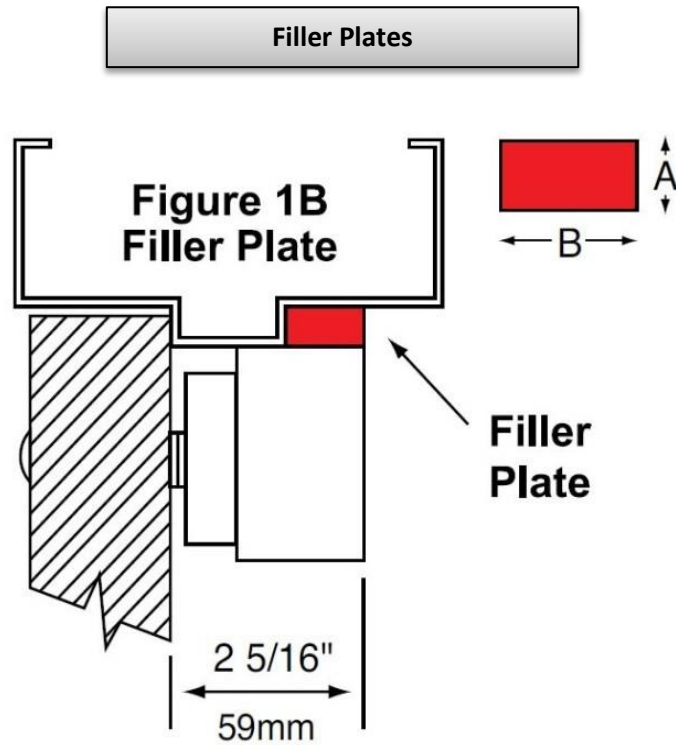
- 2-679-0200 ½"x1½"x11" (13x38x279mm) for 2951/2953
- 2-679-0201 ½"x1½"x22" (13x38x559mm) for 2952/2954

Angle Bracket



- For 11" Single Locks (2951/2953)
- | Part # | A" x B" |
|------------|-----------------------|
| 2-679-0491 | 1½"x1½" (38x38mm) ALM |
| 2-679-0493 | 1½"x1½" (51x51mm) DBZ |
| 2-679-0501 | 2" x1½" (51x38mm) ALM |
| 2-679-0503 | 2" x1½" (51x38mm) DBZ |

- For 22" Double Locks (2952/2954)
- | Part # | A" x B" |
|------------|-----------------------|
| 2-679-0571 | 1½"x1½" (38x38mm) ALM |
| 2-679-0573 | 1½"x1½" (38x38mm) DBZ |
| 2-679-0581 | 2" x1½" (51x38mm) ALM |
| 2-679-0583 | 2" x1½" (51x38mm) DBZ |



For 11" Single Locks (2951/2953)

Part #	A" x B"	
2-679-0281	1/8" x 1 1/4"	(3x32mm) ALM
2-679-0283	1/8" x 1 1/4"	(3x32mm) DBZ
2-679-0291	1/4" x 1 1/4"	(6x32mm) ALM
2-679-0293	1/4" x 1 1/4"	(6x32mm) DBZ
2-679-0311	1/2" x 1 1/4"	(13x32mm) ALM
2-679-0313	1/2" x 1 1/4"	(13x32mm) DBZ
2-679-0321	5/8" x 1 1/4"	(16x32mm) ALM
2-679-0323	5/8" x 1 1/4"	(16x32mm) DBZ

For 22" Double Locks (2952/2954)

Part #	A" x B"	
2-679-0381	1/8" x 1 1/4"	(3x32mm) ALM
2-679-0383	1/8" x 1 1/4"	(3x32mm) DBZ
2-679-0391	1/4" x 1 1/4"	(6x32mm) ALM
2-679-0393	1/4" x 1 1/4"	(6x32mm) DBZ
2-679-0411	1/2" x 1 1/4"	(13x32mm) ALM
2-679-0413	1/2" x 1 1/4"	(13x32mm) DBZ
2-679-0421	5/8" x 1 1/4"	(16x32mm) ALM
2-679-0423	5/8" x 1 1/4"	(16x32mm) DBZ