

COMPONENTS COVERED IN THIS DOCUMENT:

RETW-10WIRE

7-102-1860	780-ETW 10R WIRE MODULE CLR
7-112-1870	780-ETW 10R WIRE MODULE DBA
7-112-1875	780-ETW 10R WIRE MODULE GLD
7-112-1880	780-ETW 10R WIRE MODULE BLA

RETW-12WIRE

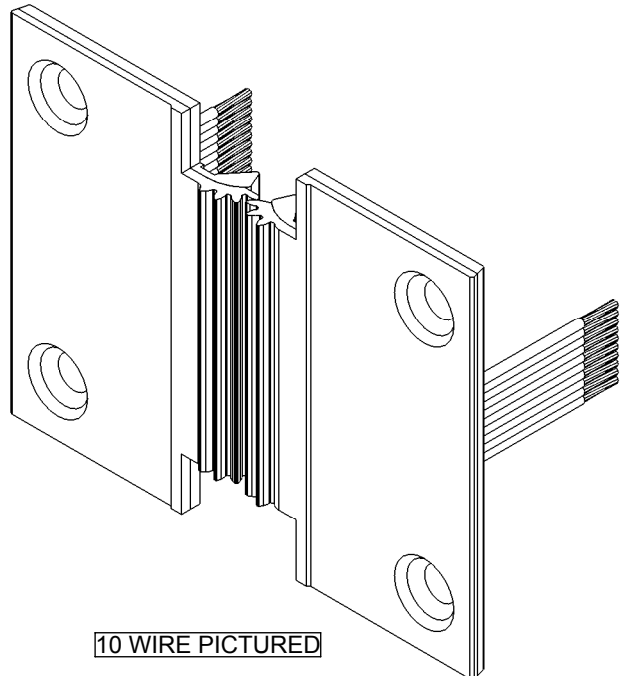
7-102-1870	780-ETW 12R WIRE MODULE CLR
7-112-1872	780-ETW 12R WIRE MODULE DBA
7-112-1876	780-ETW 12R WIRE MODULE GLD
7-112-1881	780-ETW 12R WIRE MODULE BLA

Removable Electric Through-Wire (RETW)

- Transfers power discreetly from building to door hardware.
- Removable wire module can be easily removed for adjustment or service.
- Available In:
 - Twelve 24 gauge 4" wire
 - Ten 24 gauge 4" wire
- Specify handing and the dimension from the top edge of the door to the centerline to the electric through-wire location.
- Templates regarding location of module available upon request.
- Supplied with mounting hardware, marking template, and transfer punch.
- Prep locations are limited. Please contact Hager Companies for additional information.
- To order removable module only, use component numbers as shown above.
- Example of How to Order with Hinge: 780-112 HD 83" CLR ETW12R 44-1/6"

Available on the following Heavy Duty Roton hinges:

- 780-111HD RETW
- 780-112HD RETW
- 780-124HD RETW
- 780-224HD RETW
- 780-226HD RETW



Maximum Electrical Rating:
 Volts: 48V DC/AC
 Amperes: 3.5 Amps Continuous
 16 Amp Pulse