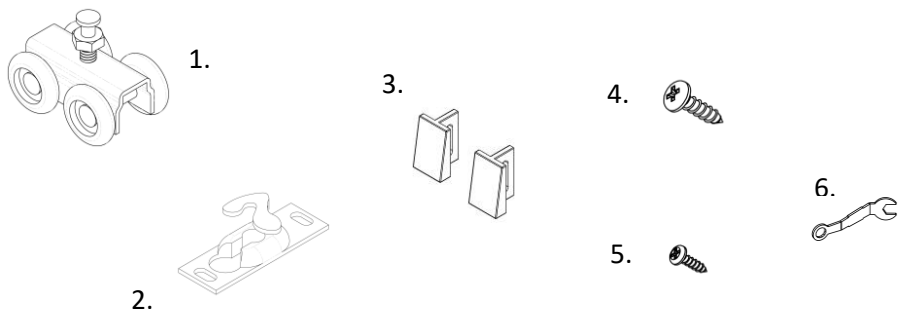


Contents:	Qty:	
1. 4-wheel Roller	2	
2. Hanger Plate	2	
3. Floor Guide (9883CS)	2	
4. M5.5 x 32mm PPHW Hanger Plate Screw	4	
5. M4.2 x 13mm Washer PHW Floor Guide Screw	2	
6. Hanger Wrench	1	

## 1 Insert the Rollers

- Insert both 4-wheel rollers into the track

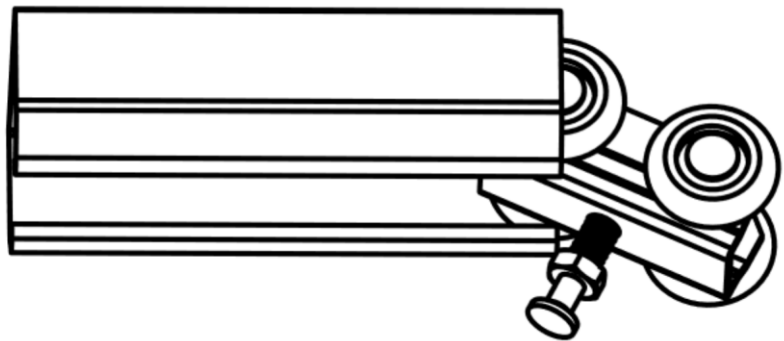


Figure 1

## 2 Install the Hanger Plates

- Position both hanger plates center of the top door edge thickness. One 2-1/4" from the left door edge and the other 2-1/4" from the right door edge. Make sure the slots on both hanger plates are facing the pocket side door edge. See Figure 2.
- Create pilot holes using a 7/64" drill bit and the hanger plates as templates
- Install the hanger plates using the M5.5 x 32mm Pan Phillips Head Wood Screws

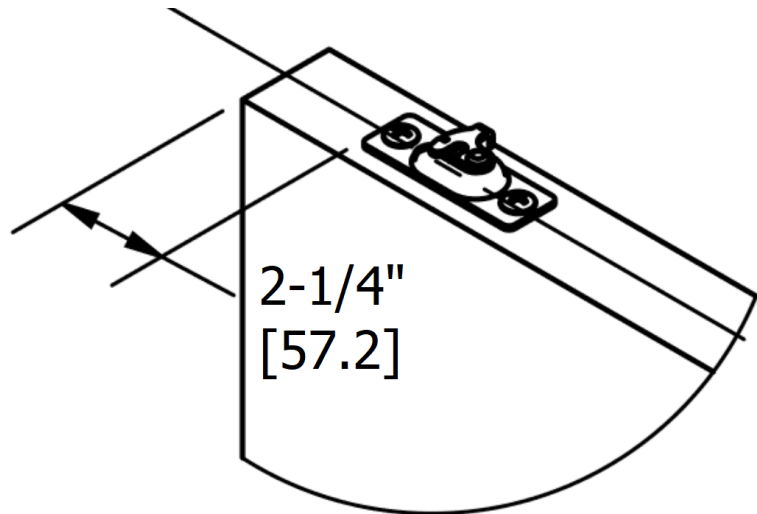


Figure 2

### 3 Latch and Adjust the Door Hangers

- Unlatch the hanger plates
- Slide the hanger plates' slot onto the 4-wheel rollers' bolt
- Latch the hanger plates
- Use the hanger wrench provided to adjust the door hangers.  
Note: There is about half an inch of adjustment that can be made with the door hangers

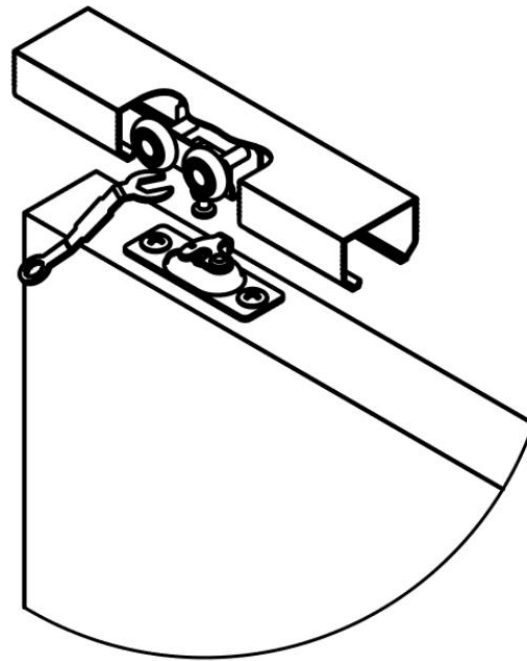


Figure 3

### 4 Install Floor Guide

- Create pilot holes to the finish split jamb using a 5/64" drill bit and the Floor Guide as templates. See Figure 4.
- Install the Floor Guide using the M4.2 x 13mm Washer Phillips Head Wood Screw

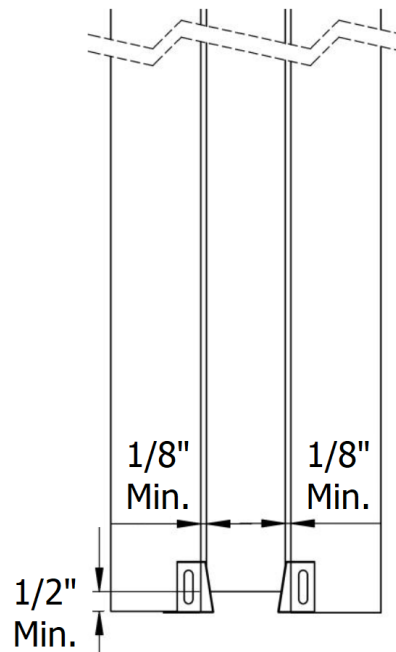


Figure 4