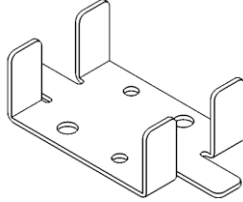
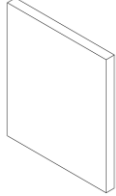


Contents:	Qty:		
1. Floor Plate for 1-3/4" Thick Doors	2	1. 	2. 
2. 1/8" Thick Shim	4		

The **1-3/4" Adapter Kit** gives additional clearance for 1-3/4" thick doors.

1 Replace Floor Plates

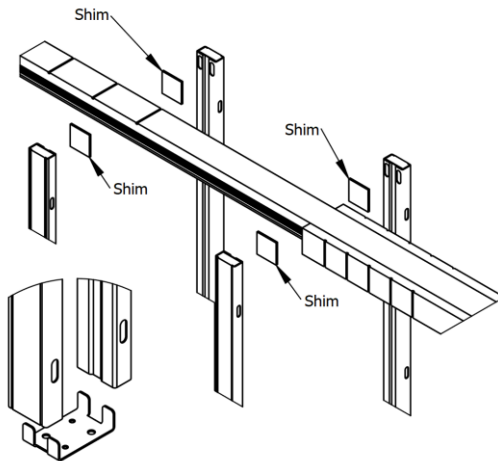


Figure 1

- Discard the Floor Plates for Doors up to 1-3/8" Thick that came with the pocket door kit
- Replace it with the Floor Plates for 1-3/4" Thick Doors included in this kit

2 Apply Spacers

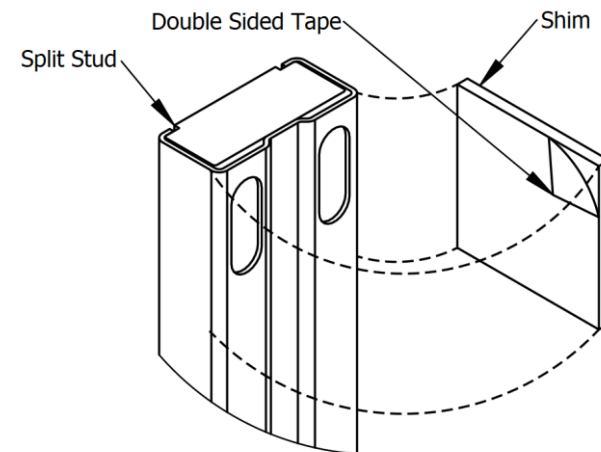


Figure 2

- Peel the paper off the 1/8" Thick Shim
- Stick it to the top of each split stud covering the slots
- Follow the rest of the installation instructions included with the pocket door kit