

Contents:	Qty:				
1. Soft Close Dampener	1	1.	3.	5.	
2. 4-wheel Roller	1				
3. Actuator	1				
4. Hanger Wrench	1				
5. Hanger Plate	2				
6. M5.5 x 32mm PPHW Screw	4	2.			4. 6.

The **Pocket Door Soft Close Mechanism Kit** upgrades existing or new 9628CS, 9629CS, 9630CS, 9631CS, 9850HD and 9852HD pocket doors to either soft close or soft open. This kit will allow the door to hold securely in place and to brake smoothly when closing or opening the door depending on how the kit is installed.

Note: To upgrade one pocket door to either soft close or soft open, a minimum of 24" (609.6mm) wide and 1" (25.4mm) thick door is required. To upgrade one pocket door to both soft close and soft open, a minimum of 28" (711.2mm) wide and 1" (25.4mm) thick door is required. The maximum weight of the door is 150lbs.

1 New vs. Existing Pocket Door Kit

New Pocket Door Kit

- Use the 4-wheel hangers and the soft close dampener provided in this kit

Existing Pocket Door Kit

- Replace both of the existing 4-wheel roller with the 4-wheel roller and the soft close dampener provided in this kit

Note: An access hole must be created to add a soft open on an existing door. This is because the actuator needs to be installed on the pocket end of the track for a soft open.

2 Installation

- Position both hanger plates center of the top door edge thickness. One 2-1/4" from the left door edge and the other 2-1/4" from the right door edge.
- Create pilot holes using a 7/64" drill bit and the hanger plates as templates
- Install the hanger plates using the M5.5 x 32mm Pan Phillips Head Wood Screws

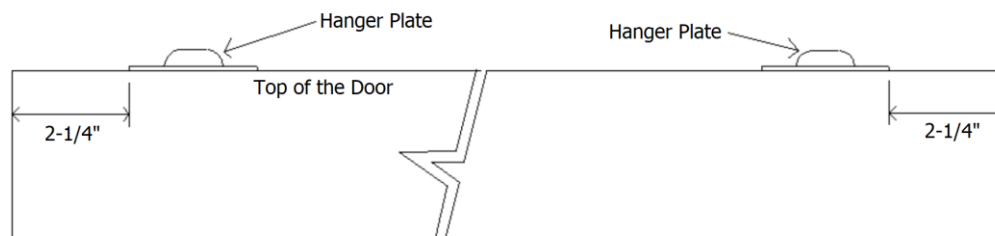


Figure 1

Soft Close

- Insert the 4-wheel roller into the doorway end of the track
- Engage the dampener latch by pushing it towards the 4-wheel roller end of the soft close dampener until engaged. See Figure 2.
- Insert the soft close dampener with the 2 idle wheel end first into the doorway track end. See Figure 2.
- Slide the hanger plates' slot into the 4-wheel rollers' bolt
- Latch the hanger plates

Soft Open

- Engage the dampener latch by pushing it towards the 4-wheel roller end of the soft close dampener until engaged. See Figure 2.
- Insert the soft close dampener with the 4-wheel roller end first into the doorway end of the track. See Figure 2.
- Insert the 4-wheel roller into the doorway end of the track
- Slide the hanger plates' slot into the 4-wheel rollers' bolt
- Latch the hanger plates

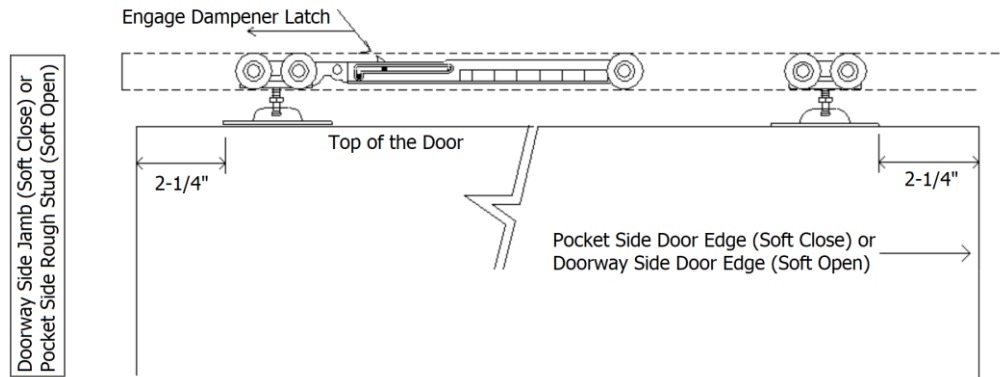


Figure 2

Soft Close

- Slide the door towards the pocket side rough stud. Make sure to double check that no track screws are interfering with the soft close dampener trigger
- Install the actuator into the track, 1-5/8" from the doorway side jamb. Make sure that the actuator arm is in the center of the track
- Slowly close the door
- Adjust the actuator as needed to allow the door to touch the doorway side jamb
- Tighten the screw in the actuator

Soft Open

- Slide the door towards the doorway side jamb. Make sure to double check that no track screws are interfering with the soft close dampener trigger
- Install the actuator into the track, 1-5/8" from the pocket side rough stud. Make sure that the actuator arm is in the center of the track
- Slowly open the door
- Adjust the actuator as needed to allow the door to touch the pocket side rough stud
- Tighten the screw in the actuator

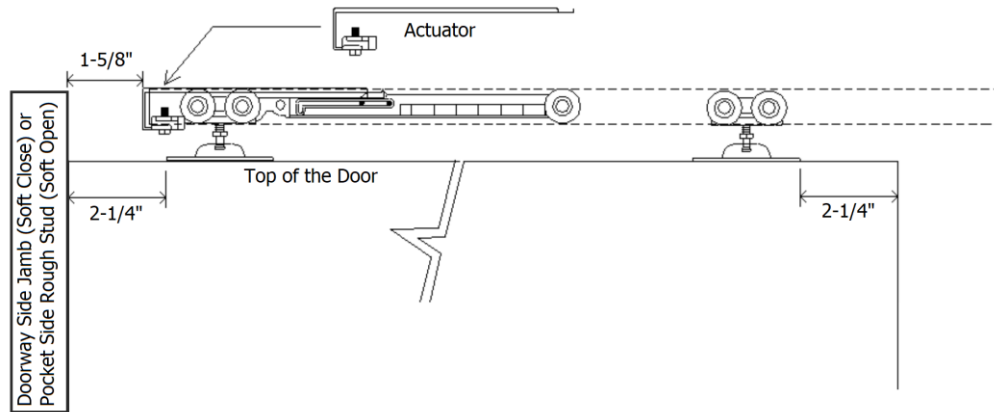


Figure 3