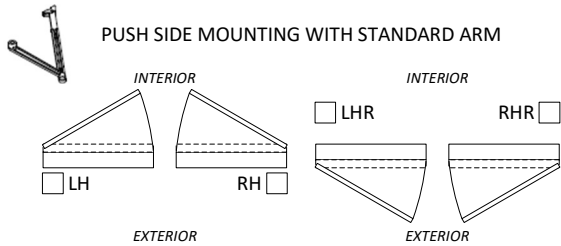


Please verify the information below for the operator to be used on this project. Please check the appropriate box for the finish, type of arm, and handing per the illustrations below. Specify the door opening dimension on the appropriate layout. If this is a curtain wall with a sub frame please include the sub framing dimension so the operator spindle can be located accordingly.

### FINISH

 (ALM) CLEAR ANODIZED COVER WITH PLATED AND ANODIZED ARM TO MATCH   
  (DBZ) DARK BRONZE ANODIZED COVER WITH PAINTED ARM TO MATCH

### SINGLE DOOR (8418)



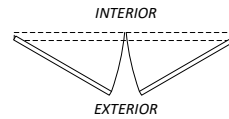
### PAIR DOORS

#### OPERATION TYPE

- 
- SIMULTANEOUS (8419)
- 
- 
- INDEPENDENT (8420)

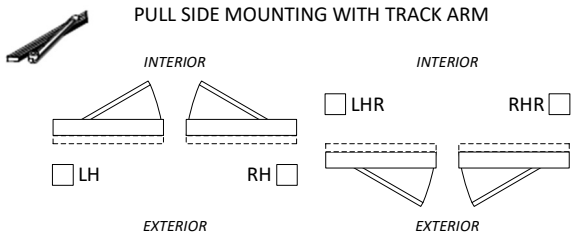
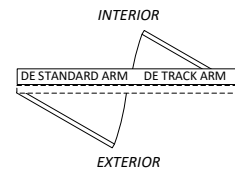
#### ARM TYPE

- 
- PUSH SIDE (STANDARD ARM)
- 
- 
- PULL SIDE (TRACK ARM)



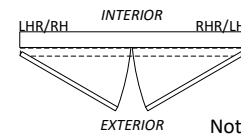
#### DOUBLE EGRESS

- 
- SIMULTANEOUS (8421)
- 
- 
- INDEPENDENT (8422)



#### PAIR DOORS ONE OPERATOR ONE 5100 SERIES CLOSER (8423)

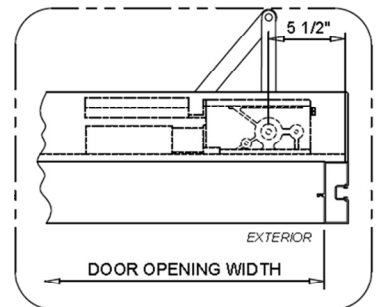
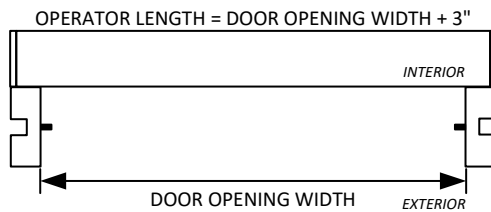
- 
- LHR/RH AUTO OPERATOR
- 
- 
- RHR/LH 5100 CLOSER
- 
- 
- RHR/LH AUTO OPERATOR
- 
- 
- LHR/RH 5100 CLOSER



Note: Mounted on push side of opening

### FRAME TYPE AND OPENING WIDTH

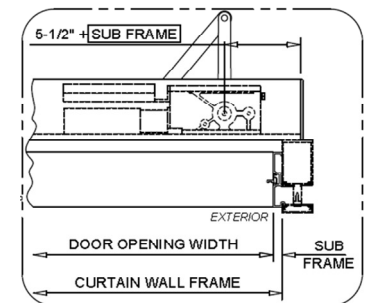
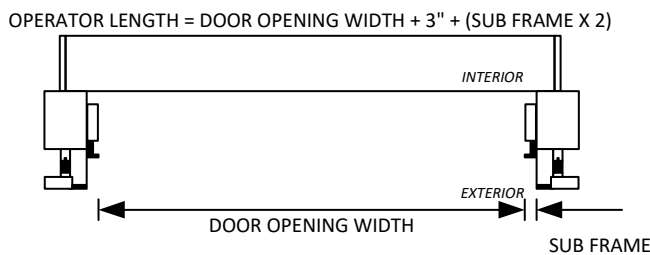
- 
- HOLLOW METAL FRAMING
- 
- 
- STORE FRONT FRAMING
- 
- 
- CURTAIN WALL WITH FLUSH ADAPTOR



DOOR OPENING WIDTH  
 36"     72"     Other Specify \_\_\_\_\_

**NOTE: PULL SIDE MOUNTING NOT RECOMMENDED ON ENTRANCES WITH CURTAIN WALL FRAMING.**

- 
- CURTAIN WALL WITH SUB FRAME



DOOR OPENING WIDTH  
 36"     72"     Other Specify \_\_\_\_\_  
 SUB FRAME \_\_\_\_\_

BY SIGNING BELOW CUSTOMER AGREES THAT THIS FORM SUPERSEDES/REPLACES INFORMATION ON THE ORIGINAL PURCHASE ORDER.

**CUSTOMER APPROVAL:** \_\_\_\_\_ **DATE:** \_\_\_/\_\_\_/\_\_\_

DIMENSIONS AND OPERATOR HANDING VERIFIED BY CUSTOMER AND ACKNOWLEDGED BY SIGNATURE