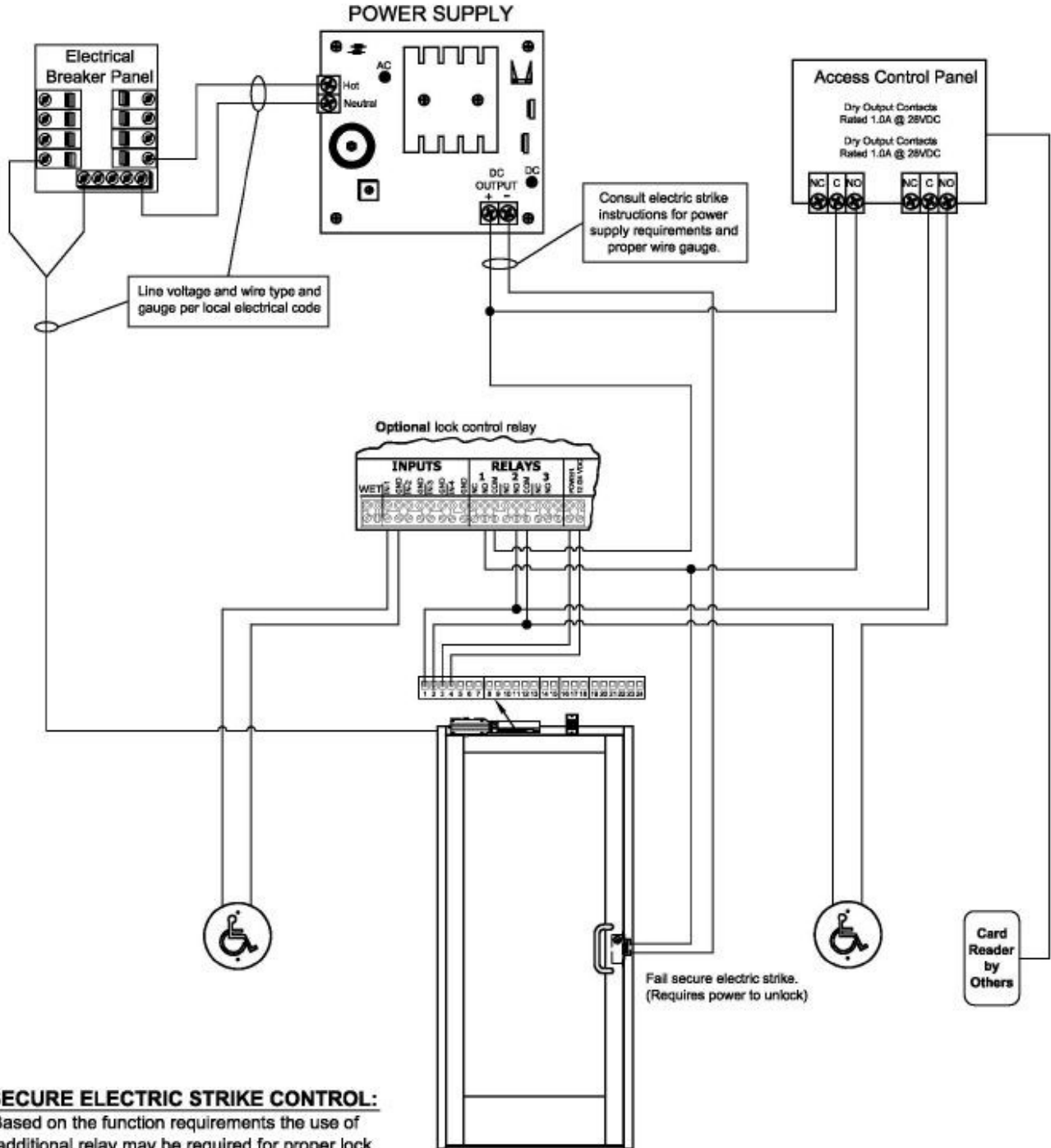


DEVICES COVERED IN THIS DOCUMENT: **8400 Wiring Diagrams**

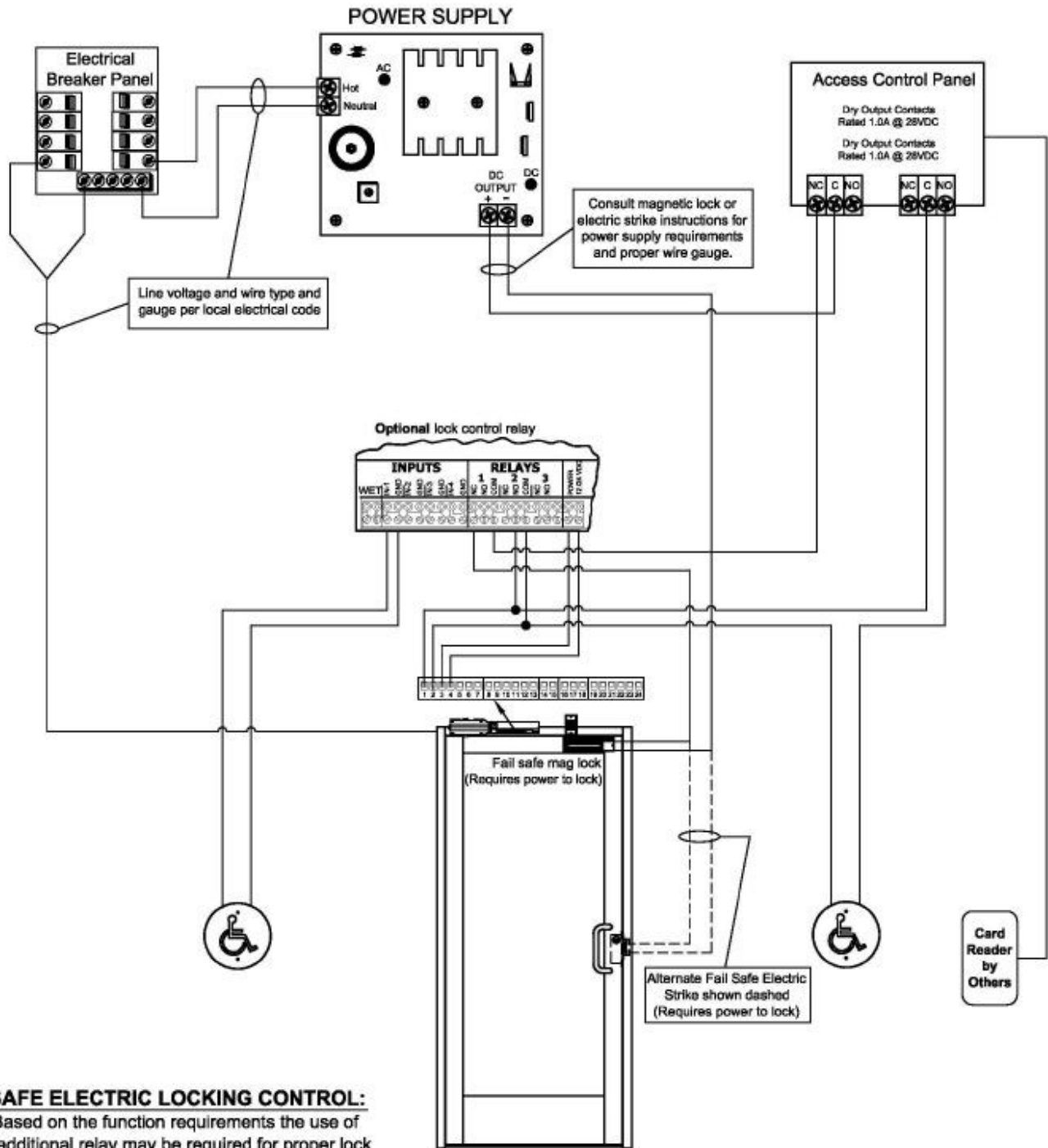
Sample wiring diagram for fail secure electric strike



FAIL SECURE ELECTRIC STRIKE CONTROL:

- 1) Based on the function requirements the use of additional relay may be required for proper lock control.
- 2) If means of egress additional components may be required.

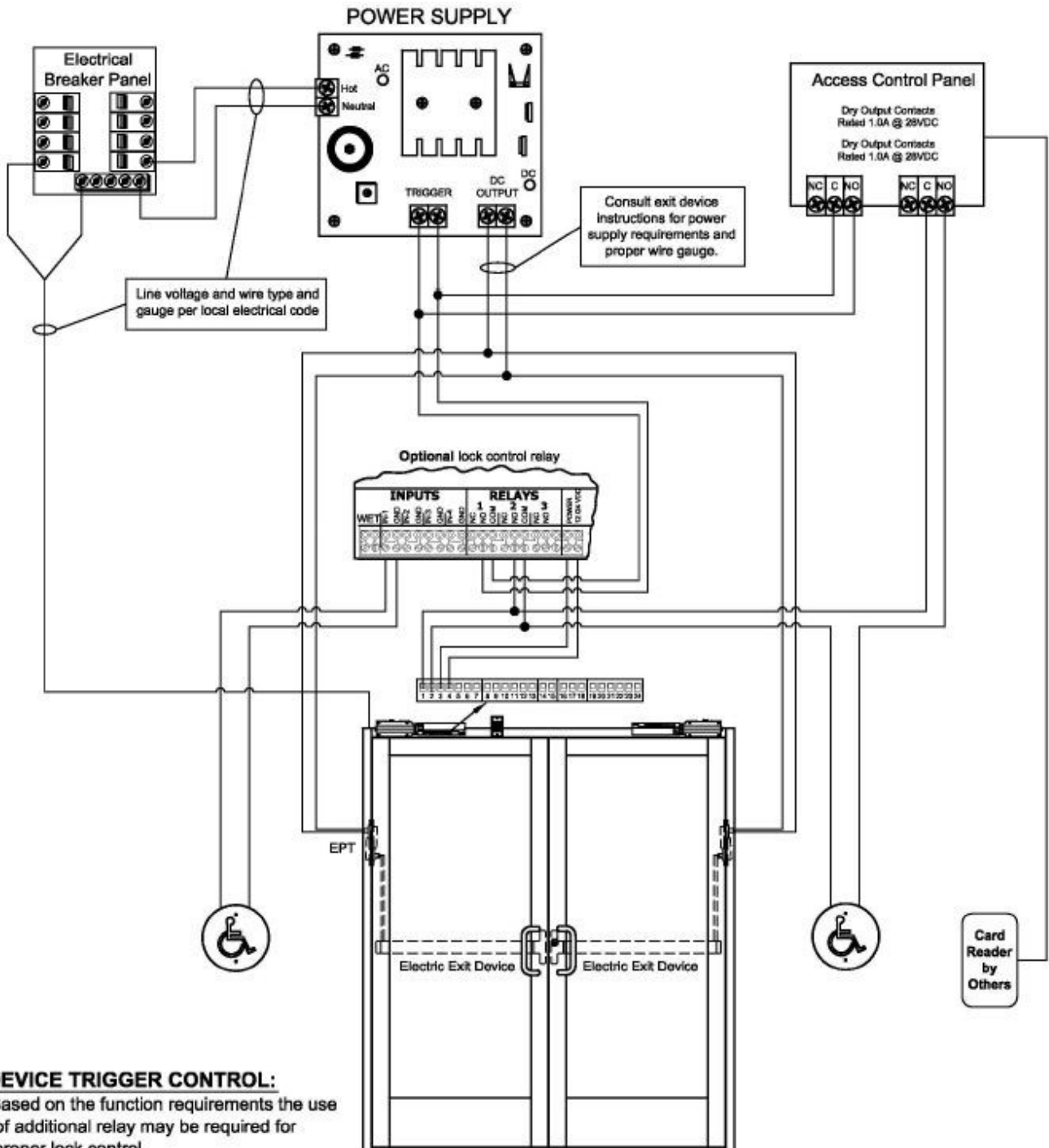
Sample wiring diagram for fail safe electric locking



FAIL SAFE ELECTRIC LOCKING CONTROL:

- 1) Based on the function requirements the use of additional relay may be required for proper lock control.
- 2) If door is means of egress additional components may be required.

Sample wiring diagram for exit device



EXIT DEVICE TRIGGER CONTROL:

- 1) Based on the function requirements the use of additional relay may be required for proper lock control.