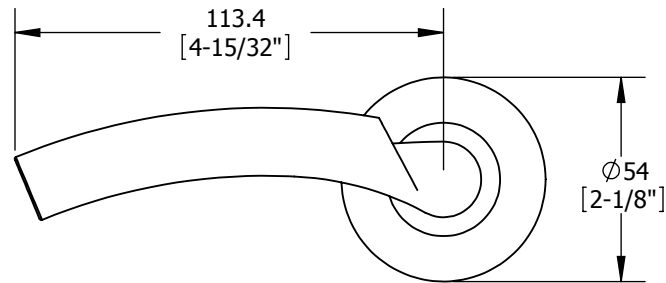
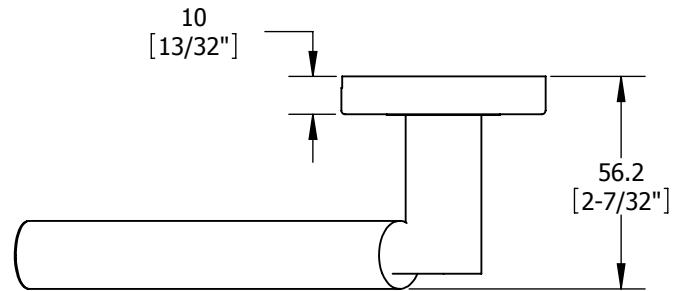



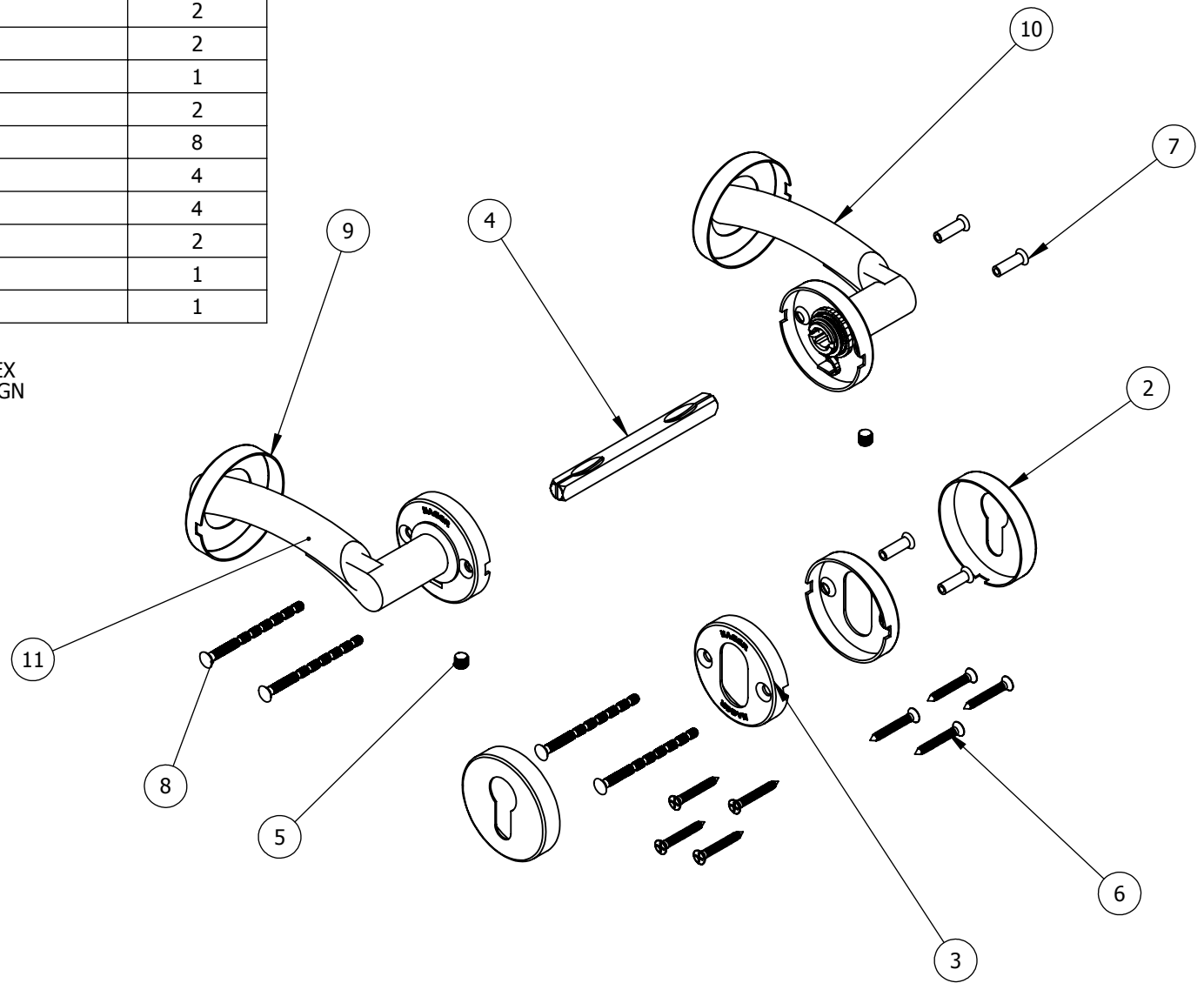
REV.	DESCRIPTION	ECO NO.	DATE
------	-------------	---------	------



 <p>PROPRIETARY & CONFIDENTIAL THE INFORMATION CONTAINED IN THIS DRAWING IS THE SOLE PROPERTY OF HAGER COMPANIES. ANY REPRODUCTION IN PART OR AS A WHOLE WITHOUT THE WRITTEN PERMISSION OF HAGER COMPANIES IS PROHIBITED.</p>	<p>HAGER RESERVES THE RIGHT TO MAKE DESIGN CHANGES WITHOUT NOTICE. CALL HAGER ENGINEERING AT 1-800-325-9995 FOR THE LATEST REVISION DATE OF TEMPLATE.</p>	DRAWN	RTHOMP	7/29/2011	<p>6832 EURO STYLE MORTISE LOCK LEVER</p>			
		ENG. APPR.	-	-				
		MATERIAL	STAINLESS		Q.A.			
		FINISH	US32D		<p>TOLERANCES: FRACTIONAL: ±0.015" ANGULAR: MACH: ± 1° BEND: ±1° TWO PLACE DECIMAL: ±0.01" THREE PLACE DECIMAL: ±0.004"</p>		SIZE	DWG. NO.
DO NOT SCALE DRAWING				<p>A S-LS01194</p>		SCALE: 1:2	WEIGHT: 662.96	SHEET 1 OF 2

ITEM NO.	PART NUMBER	QTY.
1	S-LS01018	2
2	S-LS01015	2
3	S-LS01014	2
4	S-LS00837	1
5	S-LS01023	2
6	FPHWS @7 x 22mm	8
7	S-LS01018	4
8	S-LS01019	4
9	S-LS01020	2
10	6832 LEFT HAND LEVER	1
11	6832 RIGHT HAND LEVER	1

NOTE:
PACKAGED WITH INSTRUCTIONS AND 3mm HEX
KEY IN BLUE AND WHITE EUROLINE BOX DESIGN



PROPRIETARY & CONFIDENTIAL
THE INFORMATION CONTAINED
IN THIS DRAWING IS THE SOLE
PROPERTY OF HAGER
COMPANIES. ANY REPRODUCTION
IN PART OR AS A WHOLE WITHOUT
THE WRITTEN PERMISSION OF
HAGER COMPANIES IS PROHIBITED.

HAGER RESERVES
THE RIGHT TO
MAKE DESIGN
CHANGES
WITHOUT NOTICE.
CALL HAGER
ENGINEERING AT
1-800-325-9995
FOR THE LATEST
REVISION DATE
OF TEMPLATE.

	DRAWN	RTHOMP	7/29/2011
	ENG. APPR.	-	-
MATERIAL	STAINLESS		
FINISH	US32D		
DO NOT SCALE DRAWING			
	TOLERANCES: FRACTIONAL: $\pm 0.015''$ ANGULAR: MACH: $\pm 1^\circ$ BEND: $\pm 1^\circ$ TWO PLACE DECIMAL: $\pm 0.01''$ THREE PLACE DECIMAL: $\pm 0.004''$		

6832		EURO STYLE MORTISE LOCK LEVER	
SIZE	DWG. NO.	REV.	
A	S-LS01194		
SCALE: 1:2	WEIGHT: 662.96	SHEET 2 OF 2	