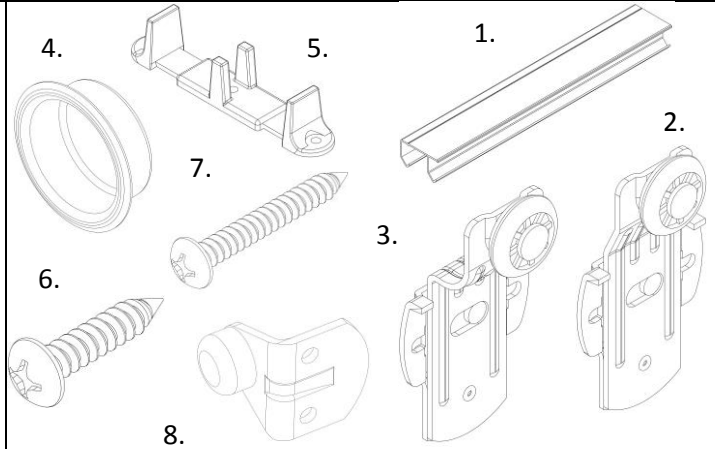
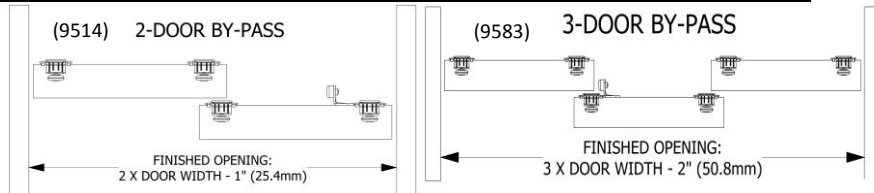


CONTENTS	9514	9583
1. TRACK (9810)	1	1
2. CARRIER A OFFSETS (9400)	2	2
3. CARRIER B OFFSETS (9401)	2	4
4. PULL (2610)	2	3
5. FLOOR GUIDE (9353)	1	2
6. #8 X 3/4" PPHS	12	26
7. #8 X 1-1/4" PPHS	7	14
8. DOORSTOP (9880)	1	1
(sold separately)		



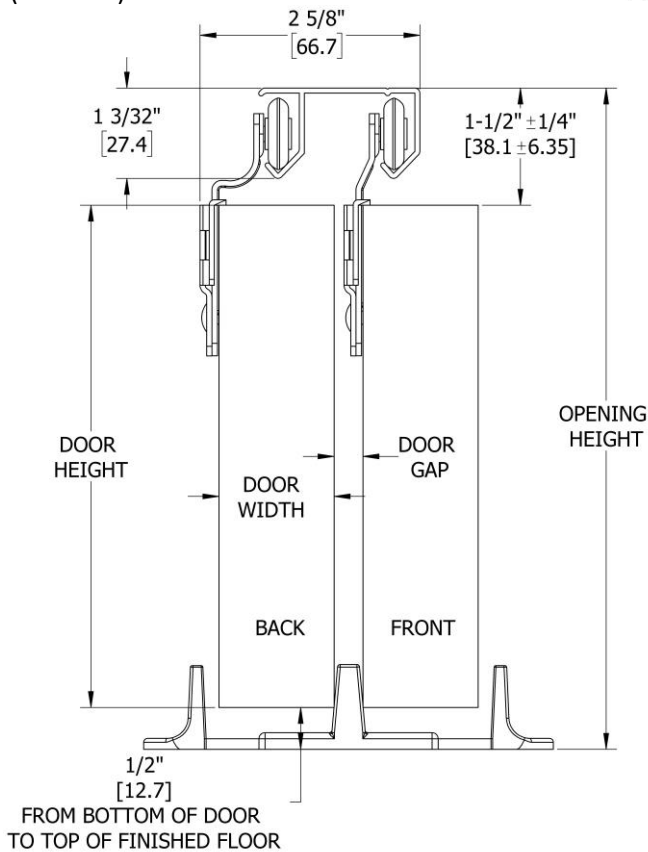
1 PREPARE OPENING

OPENING HEIGHT MAX = DOOR HEIGHT + 2-1/4"
 OPENING HEIGHT MIN = DOOR HEIGHT + 1-3/4"



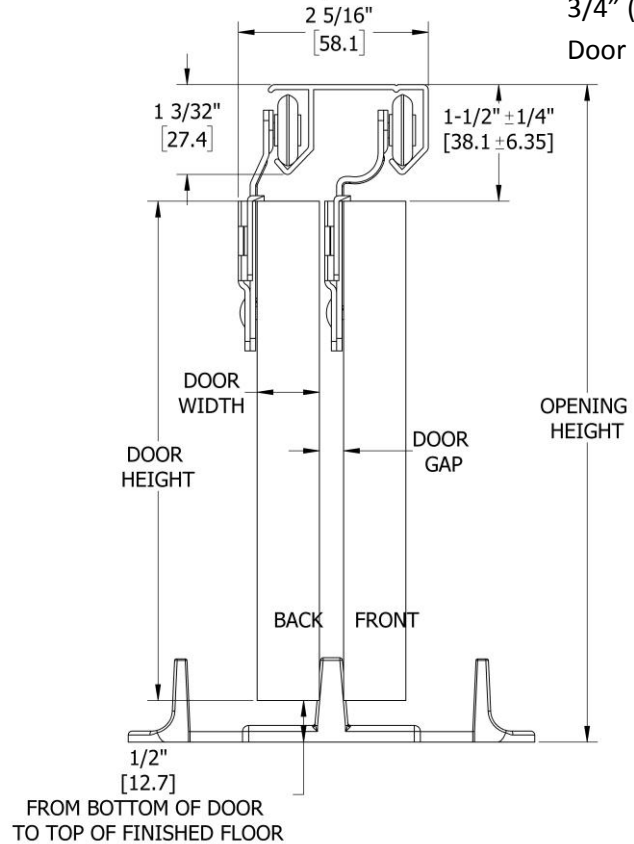
1-3/8" (34.9mm)

Door



3/4" (19.05mm)

Door

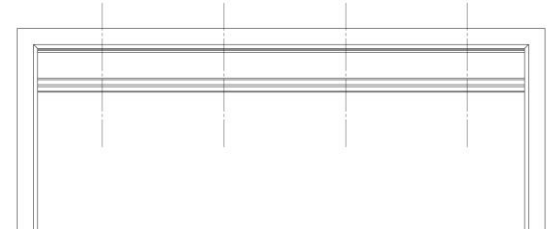
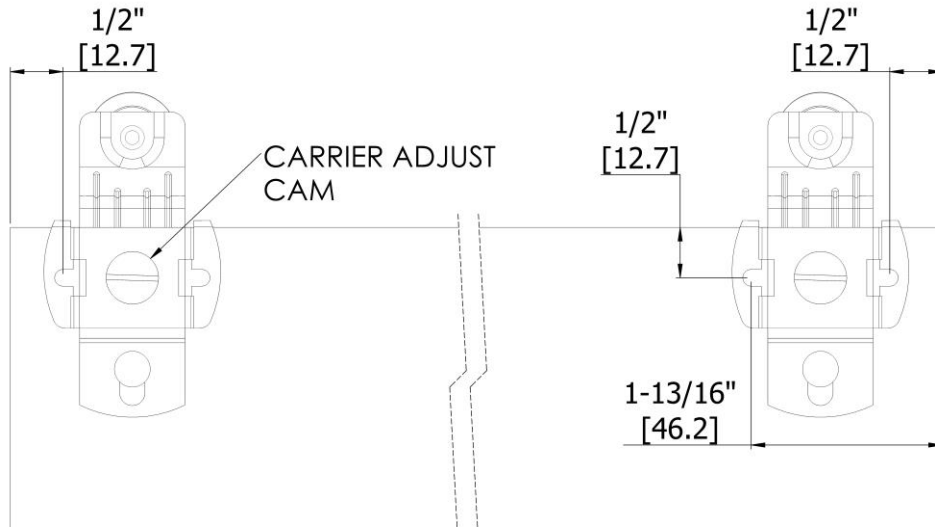


SIDE MOUNT SELECTION CHART

DOOR THICKNESS	3/4"(19mm)	1"(25.4mm)	1-1/8"(29mm)	1-3/8"(35mm)
FRONT CARRIER	B	A	A	A
REAR CARRIER	A	B	B	B
DOOR GAP	5/16"	3/4"	5/8"	3/8"

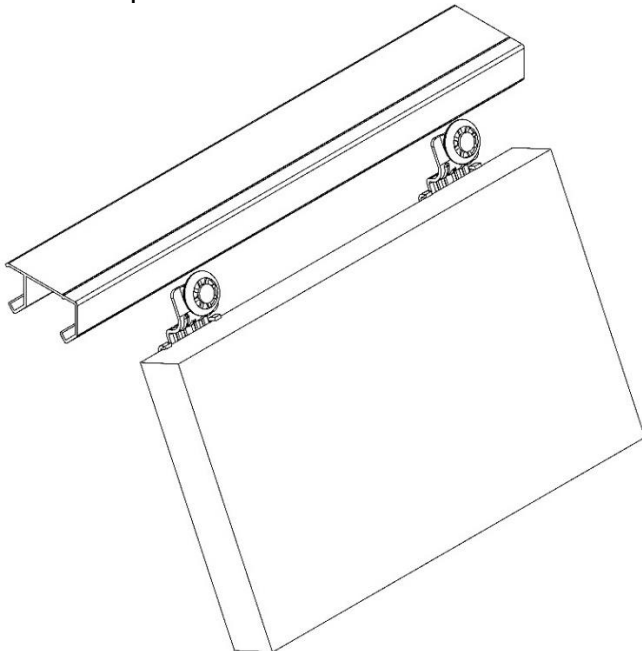
2 INSTALL TRACK AND HANGERS

- Center track in opening and secure with (#8x1-1/4") screws
- Center first drill hole 1/2" from edge of door
- Secure Carriers onto door with (#8x3/4") screws



3 HANG DOORS

- Mount rear door first by tilting door back and resting carrier wheels on rear rail
- Repeat for front door on front rail



4 ADJUST AND FINISH

- Adjust carriers so door is square with frame
- Install door guides in center of opening, where doors overlap
- Drill 3/4" diameter hole 3/8" deep to mount door pull
- Install stops (optional)

