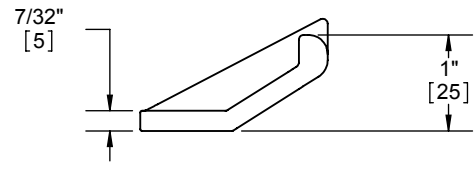
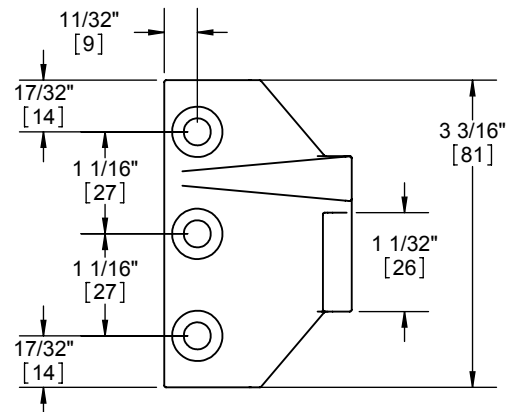
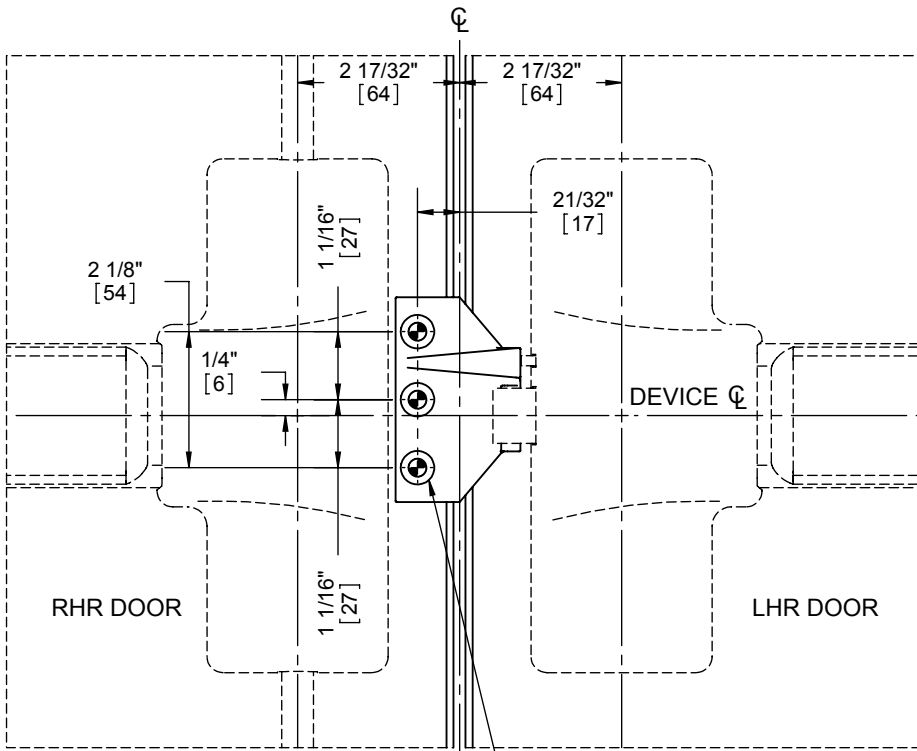
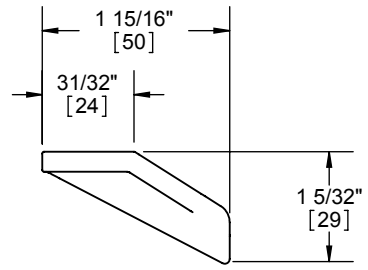
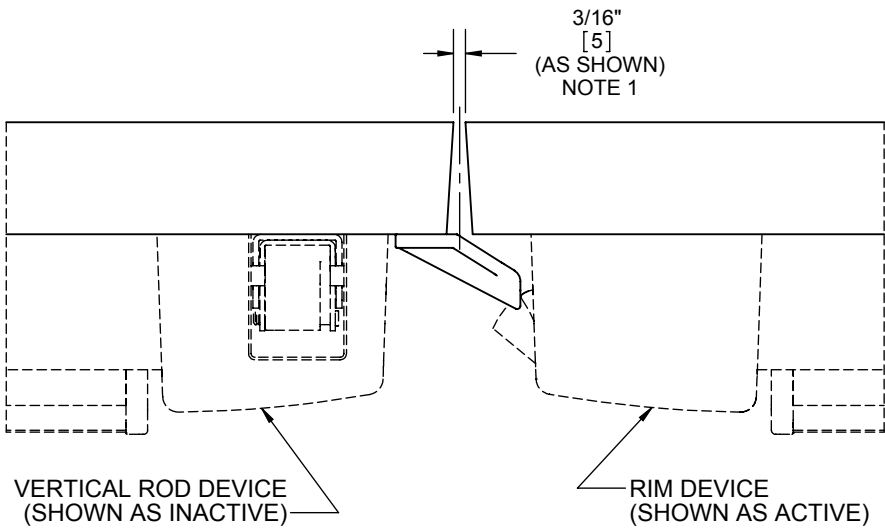


REVISIONS		
REV.	DESCRIPTION	DATE



ϕ METAL: DRILL/TAP FOR 1/4"-20 MACH SCREWS.
WOOD: PRE-DRILL 1/8" HOLES.
(3X)

INSTRUCTIONS

- 1) IDENTIFY DOOR WITH SURFACE VERTICAL ROD EXIT DEVICE AND MARK DEVICE CENTERLINE IF IT IS NOT ALREADY MARKED ON THE DOOR.
- 2) USE EXIT DEVICE CENTERLINE AND DIMENSIONS SHOWN ON THIS PAGE TO MARK AND DRILL HOLES.
- 3) INSTALL DOUBLE DOOR STRIKE WITH PROVIDED SCREWS.

NOTES

1. STANDARD DOOR GAP IS 3/16" [4.8] ± 1/16" [1.6]
2. 4921 DOUBLE DOOR STRIKE IS NOT FIRE DOOR RATED.
3. USE A COORDINATOR ON INACTIVE DOOR.



PROPRIETARY & CONFIDENTIAL
THE INFORMATION CONTAINED IN THIS DRAWING IS THE SOLE PROPERTY OF HAGER COMPANIES. ANY REPRODUCTION IN PART OR AS A WHOLE WITHOUT THE WRITTEN PERMISSION OF HAGER COMPANIES IS PROHIBITED.

HAGER RESERVES THE RIGHT TO MAKE DESIGN CHANGES WITHOUT NOTICE. CALL HAGER ENGINEERING AT 1-800-325-9995 FOR THE LATEST REVISION DATE OF TEMPLATE.

MATERIAL	Material <not specified>
FINISH	-
DO NOT SCALE DRAWING	

DRAWN	TJS	8/7/07
ENG. APPR.	-	-
Q.A.		
TOLERANCES: FRACTIONAL: ±0.015" ANGULAR: MACH: ± 1° BEND: ± 1° TWO PLACE DECIMAL: ±0.01" THREE PLACE DECIMAL: ±0.004"		

4921		
4500 DOUBLE DOOR STRIKE INSTRUCTIONS & TEMPLATE		
SIZE	DWG. NO.	REV.
A	T-ED00104	01
SCALE: 1:24	WEIGHT: 442.40	SHEET 1 OF 1