

8300 Door Arm Assembly Guide

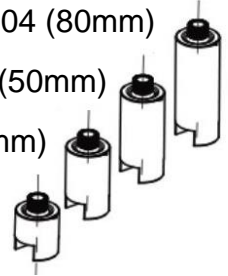
Replacement Spindles:

2-679-0904 (80mm)

2-679-0903 (50mm)

2-679-0902 (35mm)

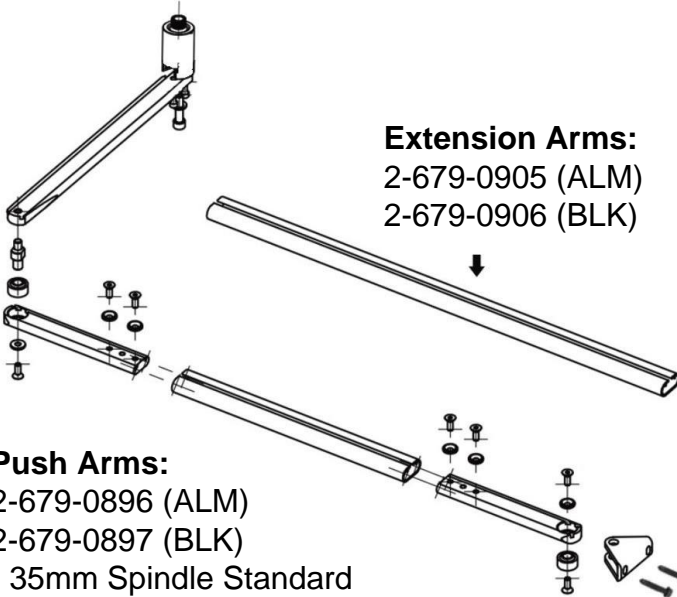
2-679-0901 (20mm)



Extension Arms:

2-679-0905 (ALM)

2-679-0906 (BLK)



Push Arms:

2-679-0896 (ALM)

2-679-0897 (BLK)

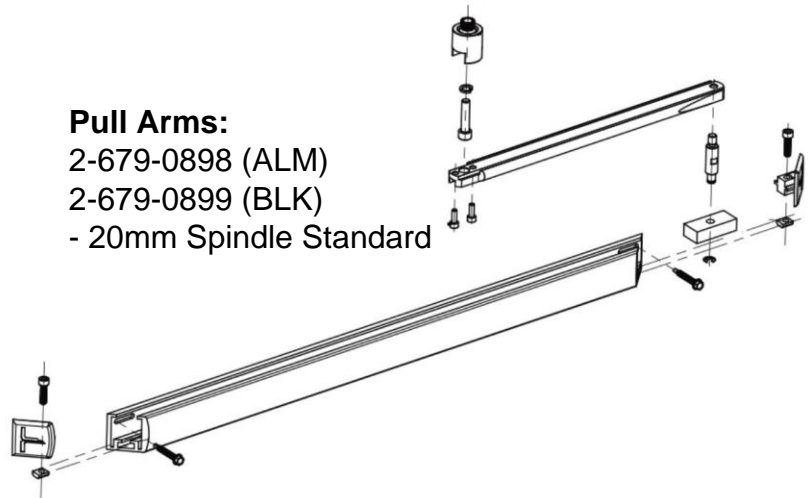
- 35mm Spindle Standard

Pull Arms:

2-679-0898 (ALM)

2-679-0899 (BLK)

- 20mm Spindle Standard



Double Egress Arm:

2-679-0900 (ALM)

- 20mm Spindle Standard

Double egress operators come with a 80mm spindle for the push arm.

