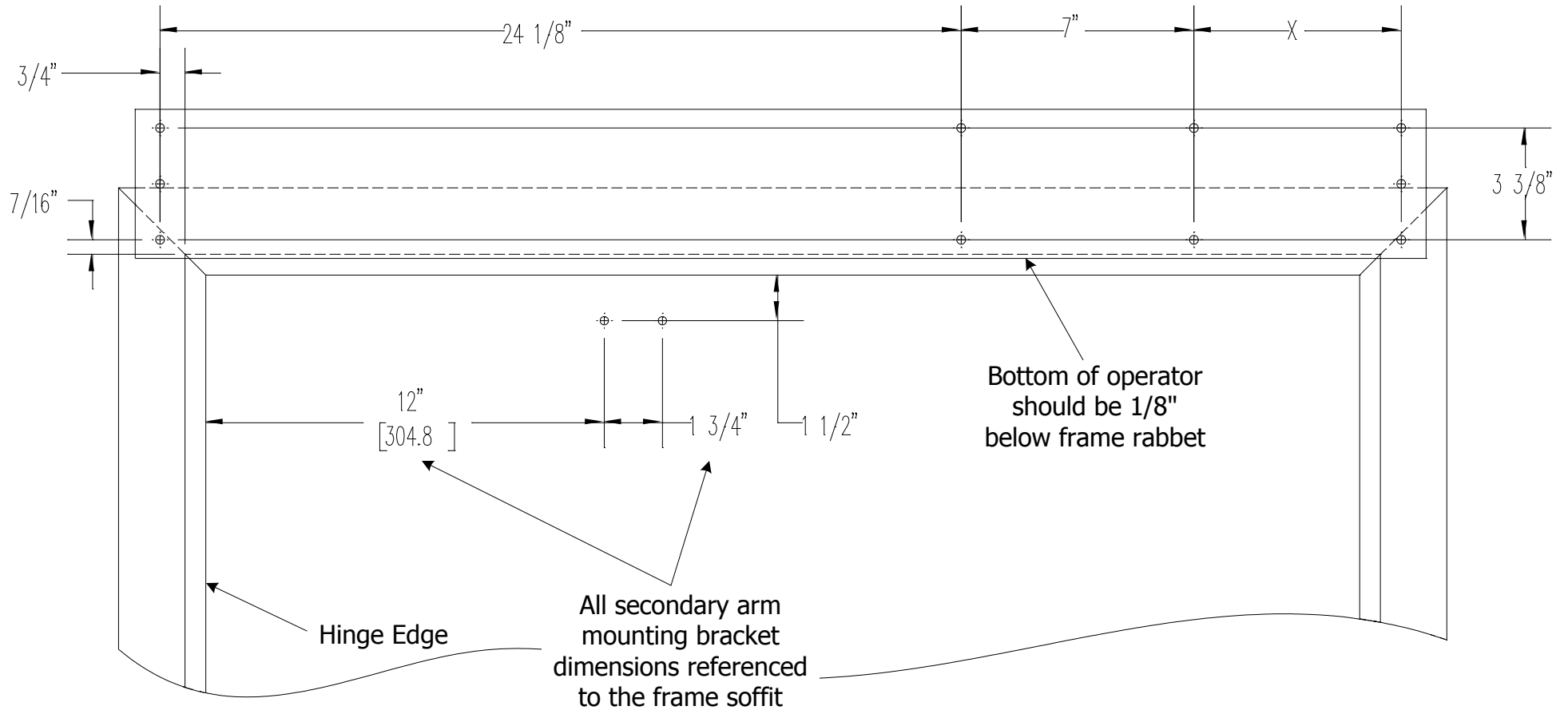


PUSH SIDE INSTALLATION SINGLE

NOTE: Hollow metal frame with 5/8" stop height shown.



| Opening Width | Operator Width | X Dim |
|---------------|----------------|--------|
| 36" | 39" | 6.25" |
| 42" | 45" | 12.25" |
| 44" | 47" | 14.25" |
| 48" | 51" | 18.25" |

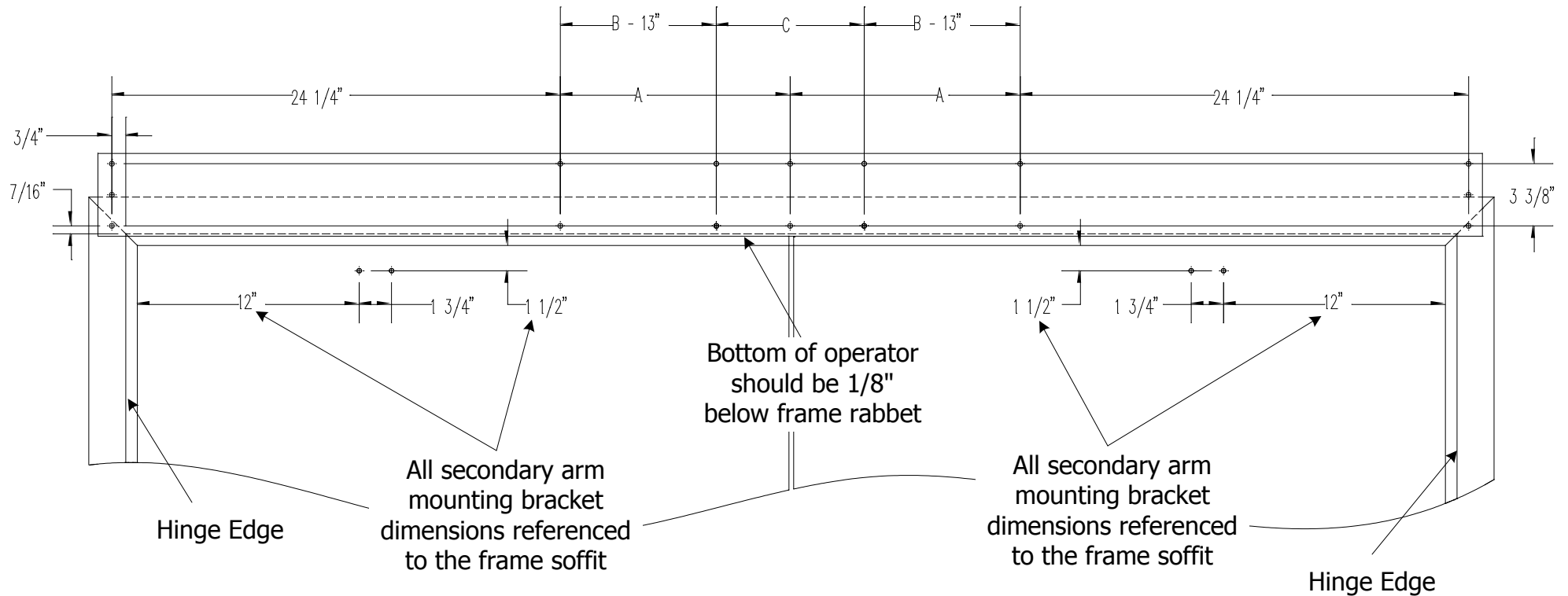
PUSH SIDE INSTALLATION DOUBLE

NOTES:

Hollow metal frame with 5/8" stop height shown.

"A" dimension is only located on the 72" & 96" operator.

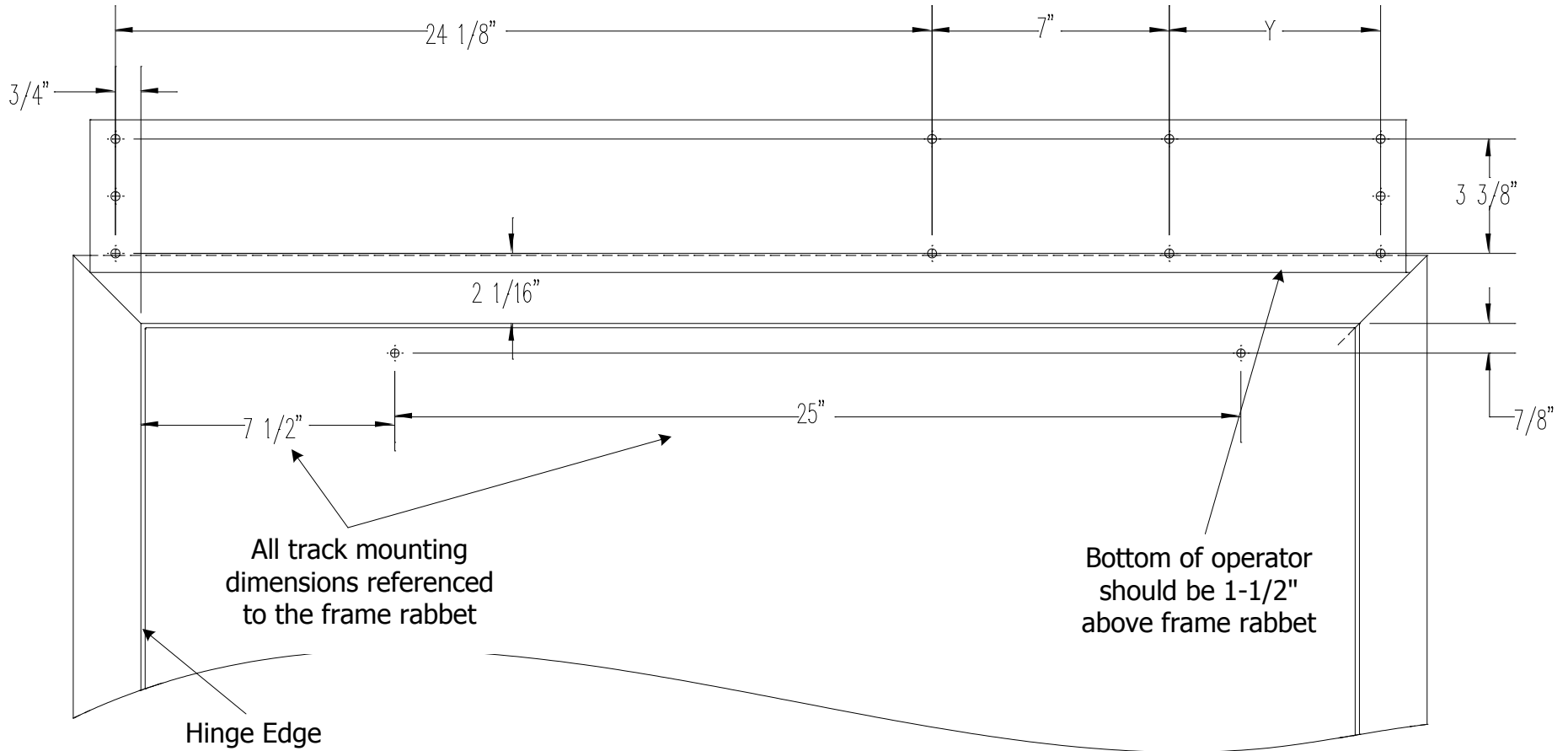
"B" & "C" dimensions are only located on the 84", 88" and 96" operators.



| Opening Width | Operator Width | A Dim | C Dim |
|---------------|----------------|----------|---------|
| 72" | 75" | 12-7/16" | N/A |
| 84" | 87" | N/A | 10-7/8" |
| 88" | 91" | N/A | 14-7/8" |
| 96" | 99" | 24-7/16" | 22-7/8" |

PULL SIDE INSTALLATION SINGLE

NOTE: Hollow metal frame with 5/8" stop height shown.



| Opening Width | Operator Width | Y Dim |
|---------------|----------------|--------|
| 36" | 39" | 6.25" |
| 42" | 45" | 12.25" |
| 44" | 47" | 14.25" |
| 48" | 51" | 18.25" |

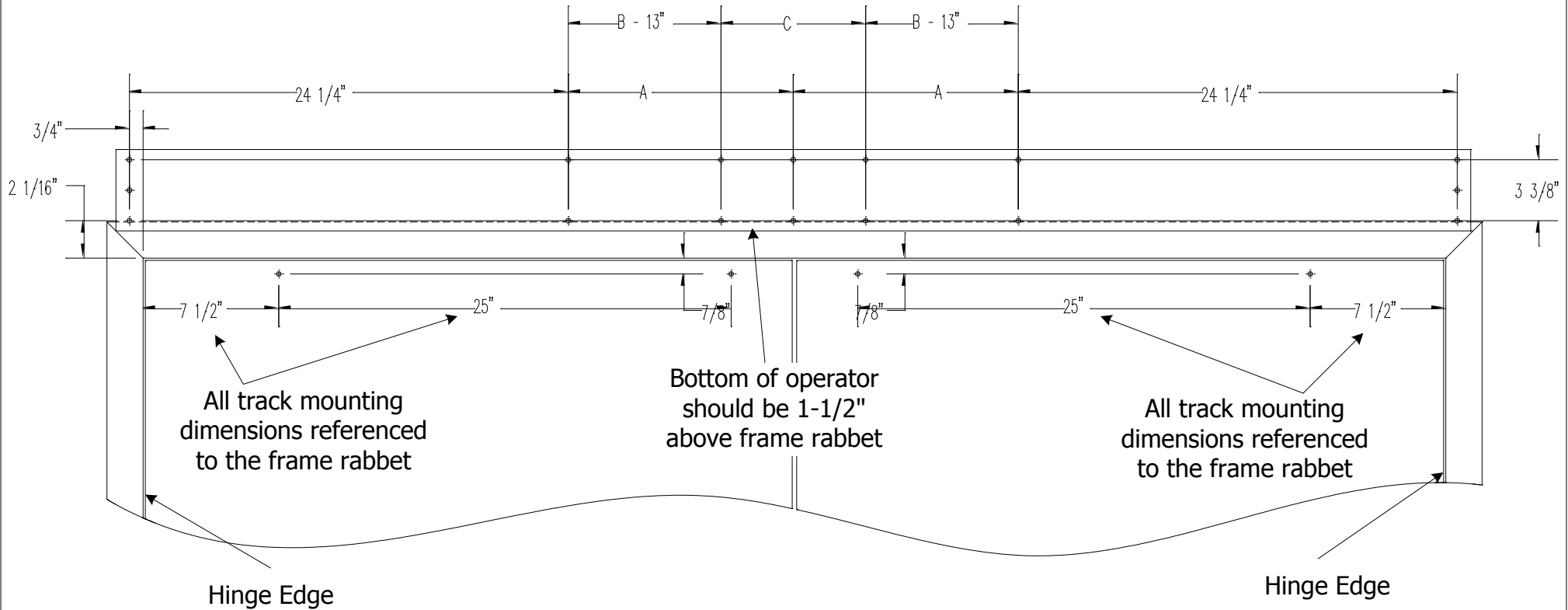
PULL SIDE INSTALLATION DOUBLE

NOTES:

Hollow metal frame with 5/8" stop height shown.

"A" dimension is only located on the 72" & 96" operator.

"B" & "C" dimensions are only located on the 84", 88" and 96" operators.



| Opening Width | Operator Width | A Dim | C Dim |
|---------------|----------------|----------|---------|
| 72" | 75" | 12-7/16" | N/A |
| 84" | 87" | N/A | 10-7/8" |
| 88" | 91" | N/A | 14-7/8" |
| 96" | 99" | 24-7/16" | 22-7/8" |

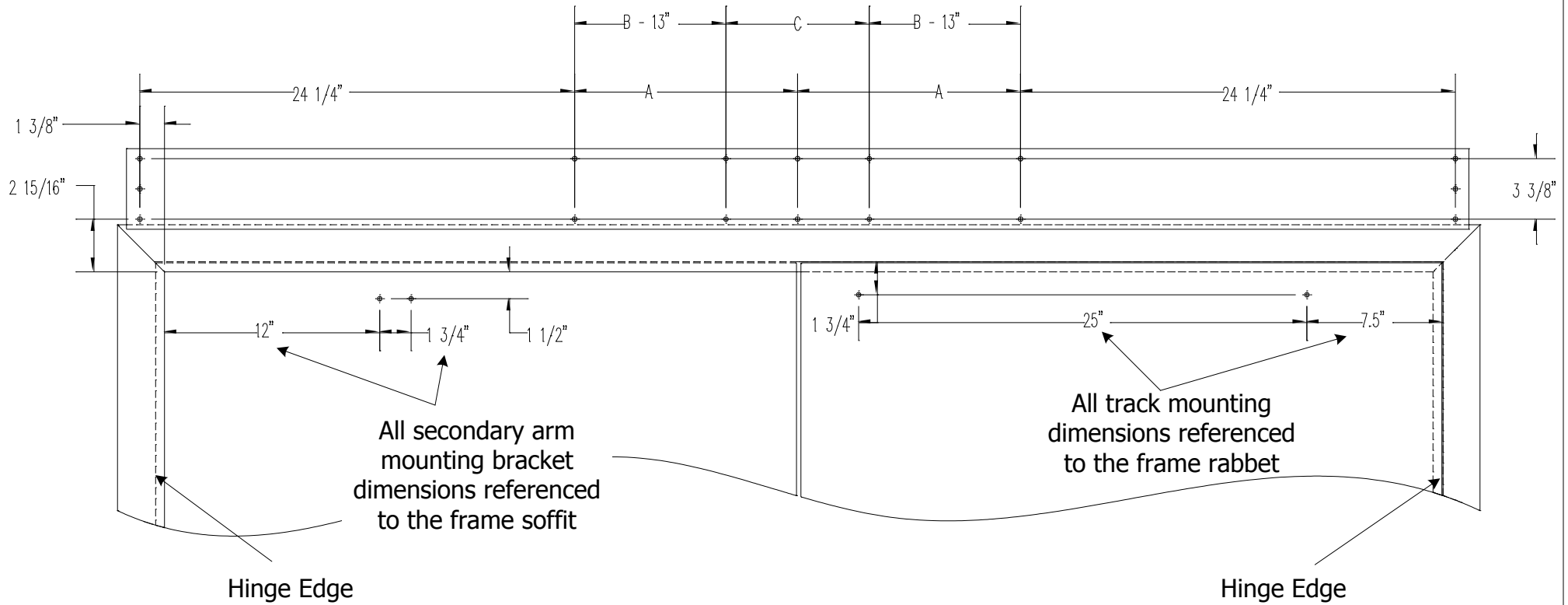
DOUBLE EGRESS INSTALLATION

NOTES:

Hollow metal frame with 5/8" stop height shown.

"A" dimension is only located on the 72" & 96" operator.

"B" & "C" dimensions are only located on the 84", 88" and 96" operators.

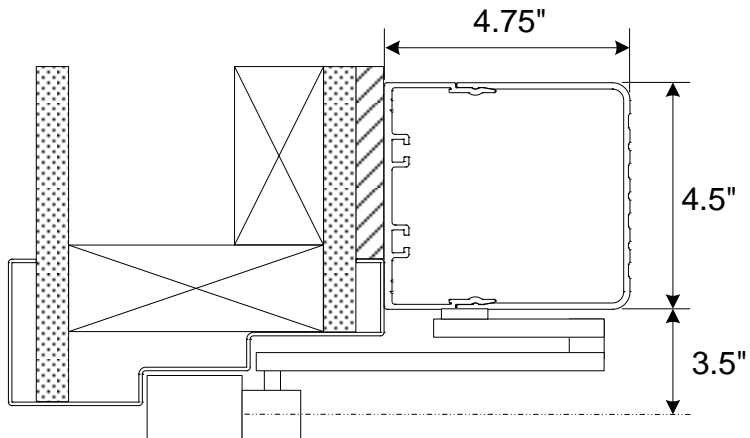


| Opening Width | Operator Width | A Dim | C Dim |
|---------------|----------------|----------|---------|
| 72" | 75" | 12-7/16" | N/A |
| 84" | 87" | N/A | 10-7/8" |
| 88" | 91" | N/A | 14-7/8" |
| 96" | 99" | 24-7/16" | 22-7/8" |

DOUBLE EGRESS INSTALLATION

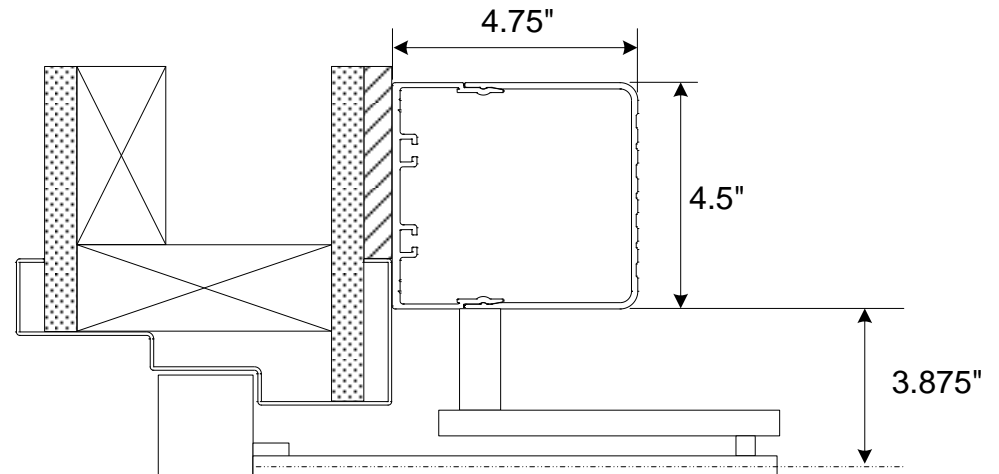
NOTES:

Hollow metal frame with 5/8" stop height shown.



Bottom of operator 1-1/8"
above bottom of frame

Double Egress Pull Arm



Bottom of operator 2-3/8"
above bottom of frame

Double Egress Push Arm