

Fig. 1

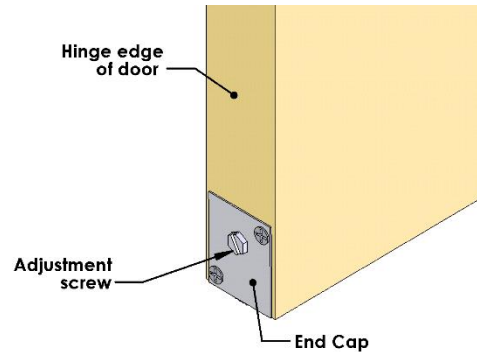


Fig. 2

730S and 743S Mortise

Applied Automatic Door Bottoms

The Mortise applied door bottoms are non-handed and can be used for both left and right hand installations. For ease of installation, the door should be removed from hinges.

Installation Procedure

1. If necessary, cut unit to match width of door. **Do not cut from the end with the adjustment screw.**
 - a. **MAXIMUM CUT 2"** for devices between 16" – 29".
 - b. **MAXIMUM CUT 5"** for devices longer than 30".
2. If unit is trimmed in the field, undercut the inner drop-down gasket bar from the end opposite the adjustment screw. The gasket bar should be 1/4" less than the external housing.
3. Mortise the entire length of the bottom edge of the door (Fig. 1): **For model 730S – 11/16" wide and 1-3/4" deep**
For model 743S – 15/16" wide and 1-3/4" deep
4. Position the unit into the mortise. The end having the adjustment screw should be flush with the hinge edge of the door. Mark and drill pilot holes and install mounting screws.
5. Turn the adjustment screw so that it projects approximately 1/8" beyond the edge of the door.
6. Mount door on hinges.
7. Cut the gasket on the adjustable screw end even with the edge of the door or a little shorter so the gasket will not get hung on the end cap.
8. Turn the adjustment screw, so that the gasket bar drops to provide a complete seal when the door is closed. To reduce the amount of drop, turn the screw clockwise. To increase the amount of drop, turn counterclockwise. **Special note: Do not extend the adjustment screw more than what is required for the gasket to just come in contact with the floor or threshold. This can result in excessive wear or possible damage.** Maximum drop is 3/4". When the screw is properly adjusted, position the end cap with the hex hole over the adjustment screw and attach to the door to lock the setting. (Fig. 2)
9. With the auto door bottom in contact with the floor or threshold cut the gasket on the opposite end even with the edge of the door or a little shorter so the gasket will not get hung on the end cap.
10. Attach the remaining end cap to the door to cover the opposite end of the unit. For wooden frames, install the small protective strike plate where the adjustment screw contacts the frame.

742S Mortised Automatic Door Bottoms

The mortised automatic door bottoms are non-handed and can be used for both left and right hand installations. These units are for hollow metal doors having a 3/4" deep channel along the bottom edge. For ease of installation, door should be removed from hinges.

Installation Procedure

1. Measure the inside length of the channel on the bottom edge of the door.
2. If necessary, cut unit 1/8" less than the length of the door channel. **Do not cut from the end with the adjustment screw.**
 - a. **MAXIMUM CUT 3"** for devices between 36" – 48".
 - b. **DO NOT CUT** devices with length of 24"
 - c. **MAXIMUM CUT 1"** for all other devices.
3. Drill a 3/8" hole in the center of the hinge edge of the door for the adjustment screw, 1/4" below the bottom of the inverted U channel or 1/2" from the bottom of the door. (Fig. 3)
4. Position the unit into the channel. Mark, drill pilot holes, use a #37 drill (.104) to drill holes to receive the 5/8" #6 pan head mounting screws. Install the door bottom.
5. Turn the adjustment screw so that it projects approximately 1/8" beyond the edge of the door.
6. Mount door on hinges.
7. Turn the adjustment screw, so that the gasket bar drops to provide a complete seal when the door is closed. To reduce the amount of drop, turn the screw clockwise. To increase the amount of drop, turn counterclockwise. The maximum drop is 1/2". **Special note: The adjustment screw will become more difficult to turn when the unit reaches the maximum**

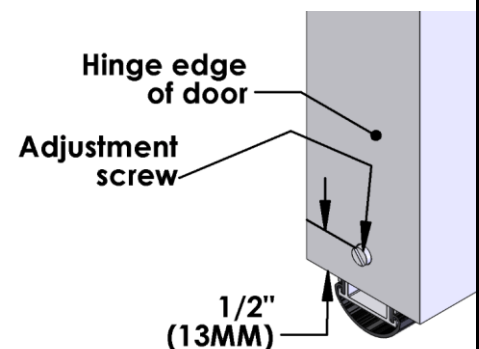


Fig. 3

1/2" drop position. Do not extend the adjustment screw more than what is required for the gasket to just come in contact with the floor or threshold. This can result in excessive wear or possible damage.

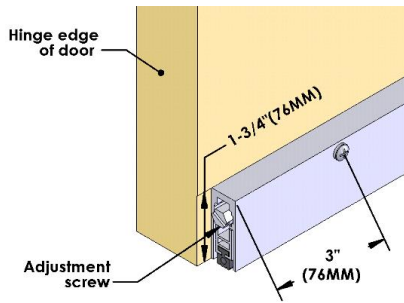


Fig. 1

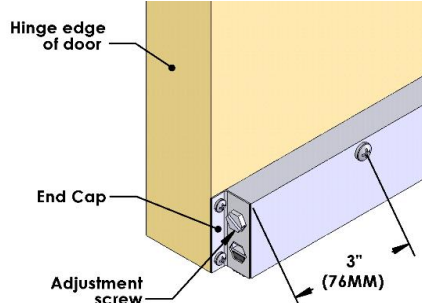


Fig. 2

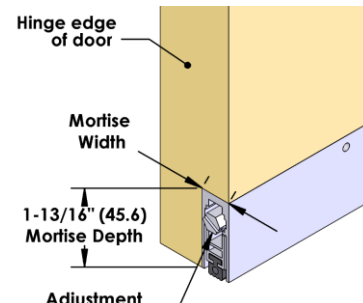


Fig. 3

740S and 747S Surface Applied Automatic Door Bottoms

The Surface/Half mortise applied door bottoms are non-handed and can be used for both left and right hand installations.

Installation Procedure

1. If necessary, cut unit to fit between the frame stops and allow for door swing clearance. **Do not cut from the end with the adjustment screw.**
 - a. **MAXIMUM CUT 2"** for devices between 16" – 29".
 - b. **MAXIMUM CUT 5"** for devices longer than 30".
2. If a unit is trimmed in the field, undercut the inner drop-down gasket bar from the end opposite the adjustment screw. The gasket bar should be 1/4" less than the external housing.
3. Position the unit flush with the bottom edge of the door and the end with the adjustment screw flush against the frame stop on the hinge edge of the door. Mark, drill pilot holes and install mounting screws. (Fig. 1)
4. Turn the adjustment screw so that it projects approximately 1/8" beyond the edge of the unit. Mark and drill pilot holes and install mounting screws.
5. Cut the gasket on the adjustable screw end even with the edge of the door or a little shorter so the gasket will not get hung on the end cap.
6. Turn the adjustment screw, so that the gasket bar drops to provide a complete seal when the door is closed. To reduce the amount of drop, turn the screw clockwise. To increase the amount of drop, turn counterclockwise. **Special note: Do not extend the adjustment screw more than what is required for the gasket to just come in contact with the floor or threshold. This can result in excessive wear or possible damage.** Maximum drop is 3/4".
7. With the auto door bottom in contact with the floor or threshold cut the gasket on the opposite end even with the edge of the door or a little shorter so the gasket will not get hung on the end cap.
8. When the screw is properly adjusted, position the end cap with the hex hole over the adjustment screw and attach to the door to lock the setting. (Fig. 2)
9. Attach the remaining end cap to the door to cover the opposite end of the unit. For wooden frames, install the small protective strike plate where the adjustment screw contacts the frame stop.
10. For half mortise application, mortise the entire length of the push side of the door (Fig. 3): **For model 740S – 21/32" wide 1-13/16" deep**
For model 747S – 7/8" wide 1-13/16" deep

730S, 740S, 743S, 747S



POSITIVE PRESSURE TESTED GASKETING MATERIALS FOR FIRE DOORS
 FOR APPLICATION TO HOLLOW-METAL-TYPE FIRE DOORS
 RATED UP TO 3 HOURS, WOOD AND PLASTIC COVERED
 COMPOSITE-TYPE FIRE DOORS
 RATED UP TO 1-1/2 HOURS AND WOOD CORE DOORS
 RATED UP TO 20M
 CATEGORY J & H
 <28X8>

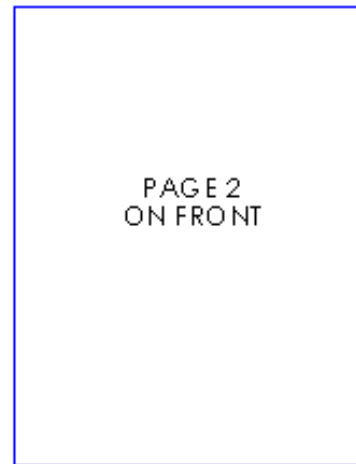
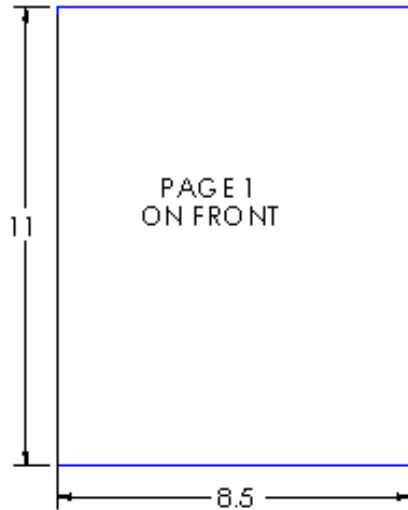
742S



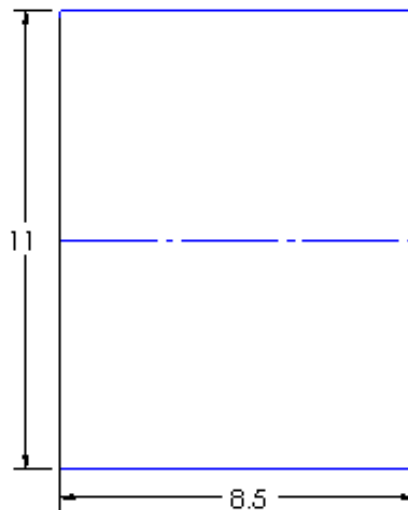
POSITIVE PRESSURE TESTED GASKETING MATERIALS FOR FIRE DOORS
 FOR APPLICATION TO HOLLOW-METAL-TYPE FIRE DOORS
 RATED UP TO 3 HOURS
 COMPOSITE-TYPE FIRE DOORS
 RATED UP TO 1-1/2 HOURS AND WOOD CORE DOORS
 RATED UP TO 20M
 CATEGORY J

FOLDING INSTRUCTIONS

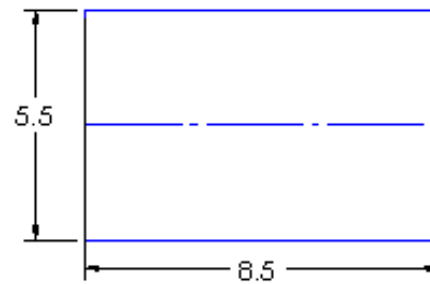
1. DO NOT USE THIS INSTRUCTION FOR PRINTING - USE INSTRUCTION FILE
2. SINGLE SHEET (20# WEIGHT), DOUBLE SIDED PRINTING ON 8-1/2 "X 11"



1. FOLD SHEET IN HALF ALONG THE WIDTH



2. FOLD IN HALF AGAIN



3. FOLDED SHEET WITH HAGER LOGO AND REVISION DATE ON OUTSIDE

