

Latch Protection Plate

340C - US32D

Satin Stainless Steel

3" x 11" (76 x 279 mm)



SAFEGUARD
Against Intrusion

PROHIBIT
Costly Repairs

- Corrosion Resistant
- Easy Installation. Non-Handed
- Fits standard hollow metal or wood doors
- Protect latch bolt by covering latch area
- For use with both cylindrical and mortise lock sets



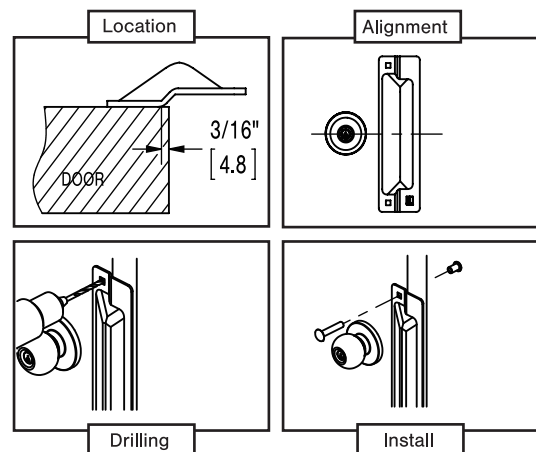
Latch Protection

340C - US32D

Satin Stainless Steel

Installation Instructions

Requires a drill, 7/16" drill bit, and hex wrench set.



- Step 1. Place the flat surface of the Hager latch plate 3/16" (4.8mm) in from the door edge.
- Step 2. Align the latch plate vertically with the lockset.
- Step 3. With the square holes in the latch plate held to the door, use this as a guide to mark and drill two 7/16" (11.1mm) diameter holes through the door.
- Step 4. Insert two carriage bolts through the plate and secure with hex sleeve nuts from the other side of door.

Limited One Year Warranty

Hager Companies (the "Company") warrants to purchasers that the products which the Company sells under the "Hager" trademark or trade name in the United States of America are free from defects in workmanship and materials under normal use and service for a period of one year from date of delivery.

This warranty does not cover defects or damage arising from improper installation, lack of or improper maintenance, improper storage, shipping and handling, ordinary wear and tear, misuse, abuse, accident, unauthorized service, or use with unauthorized products or parts.

The only liability of the Company hereunder in tort or contract, under this warranty or otherwise shall be limited to the repair or replacement of any product or component part which shall prove defective to the original purchaser from the Company. The company will not pay for the costs or repair performed other than in accordance with this warranty.

Written notice of a product believed to be defective as covered by this warranty should be sent to Hager Companies, 139 Victor Street, P.O. Box 12300, St. Louis, Missouri 63157-0300, and should include the purchaser's name and address, identification of the product, and a brief description of the defect. Upon receipt of such notice, the Company will inform the purchaser where to ship such product, shipping charges prepaid, for examination.