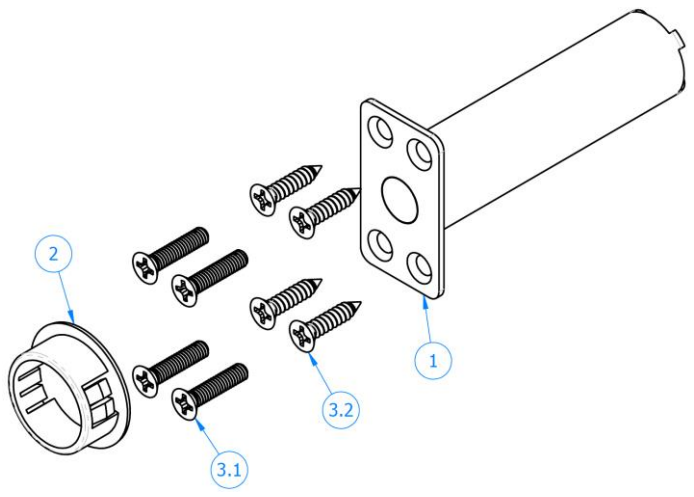
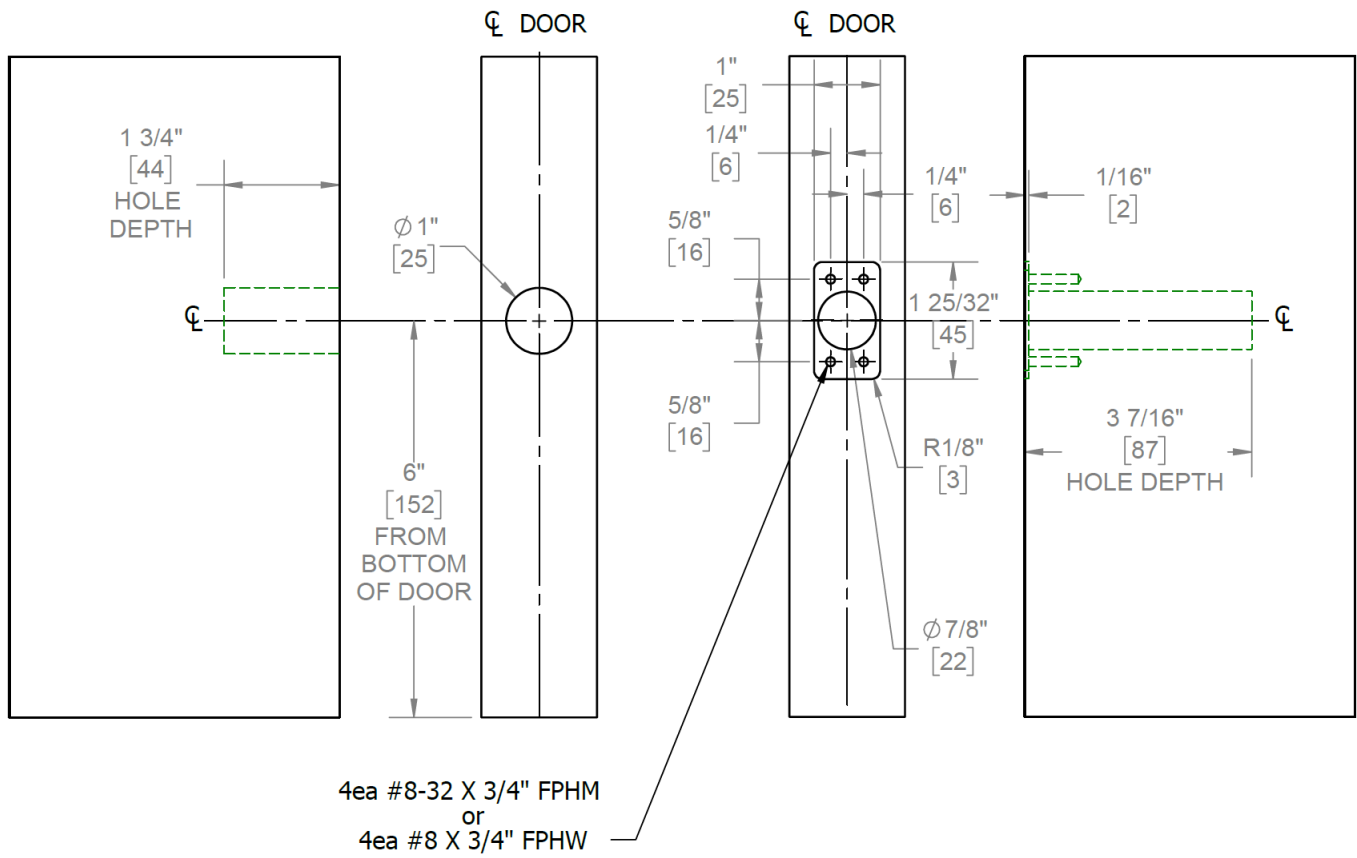


Contents:	3926 QTY:	3927 QTY:	
1. Auxiliary Fire Bolt	1	1	
2. Strike Hole Plug	1	1	
3.1 #8-32 X 3/4" FPHM Mounting Screws	4	0	
3.2 #8 X 3/4" FPHW Mounting Screws	0	4	



STRIKE HOLE PLUG
ACTIVE DOOR LEAF

AUXILIARY FIRE BOLT
INACTIVE DOOR LEAF

Figure 1: Fire Bolt Template

The auxiliary fire bolt will keep the doors in alignment during a fire when the bolt extends from the auxiliary fire bolt into the strike hole in the opposite door. For the auxiliary fire bolt to extend into the strike hole, the black cap visible on the face of the auxiliary fire bolt and the strike hole plug must melt. Therefore, **DO NOT COVER THE DOOR GAP DIRECTLY IN FRONT OF THE AUXILIARY FIRE BOLT WITH A DOOR EDGE GUARD OR ANY OTHER SIMILAR TYPE DEVICE.**

1 Prepare the Inactive Door Leaf

- Mark a horizontal centerline 6" [152mm] from the bottom of the door
- Mark a vertical centerline at center of door thickness
- Drill a 7/8" [22mm] diameter by 3-7/16" [87mm] deep hole in the inactive door leaf. See Figure 1.
- Insert the auxiliary fire bolt in the hole
- While keeping the auxiliary fire bolt parallel to the door face, make an outline of latch face plate
- Remove the auxiliary fire bolt from the hole
- Mortise the door 1/16" [2mm] deep
- For metal doors, drill and tap for #8-32 X 3/4" machine screws
- For wood doors, drill pilot holes for #8 X 3/4" wood screws

2 Prepare the Active Door Leaf

- Mark a horizontal centerline 6" [152mm] from the bottom of the door
- Mark a vertical centerline at center of door thickness
- Drill a 1" [25mm] diameter by 1-3/4" [44mm] deep hole in the active door leaf

3 Install the Auxiliary Fire Bolt

- Insert the auxiliary fire bolt in the hole created in step 1
- For metal doors, secure the auxiliary fire bolt with #8-32 X 3/4" machine screws
- For wood doors, secure the auxiliary fire bolt with #8 X 3/4" wood screws

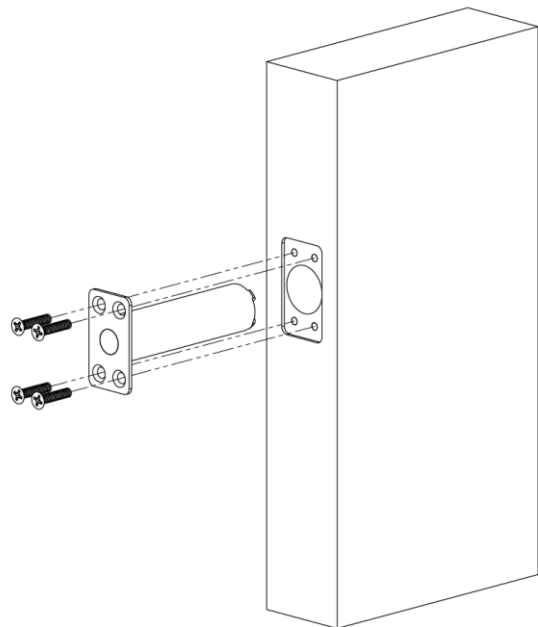


Figure 2: Inactive Door Leaf

4 Install the Strike Hole Plug

- Insert the strike hole plug in the hole created in step 2
- Self-adjusting tabs on the strike hole plug will lock it in place
- Close both doors and verify the auxiliary fire bolt and strike hole plug are lined up
- **Make sure the door gap directly in front of the auxiliary fire bolt is not covered with a door edge guard or any other similar type device**

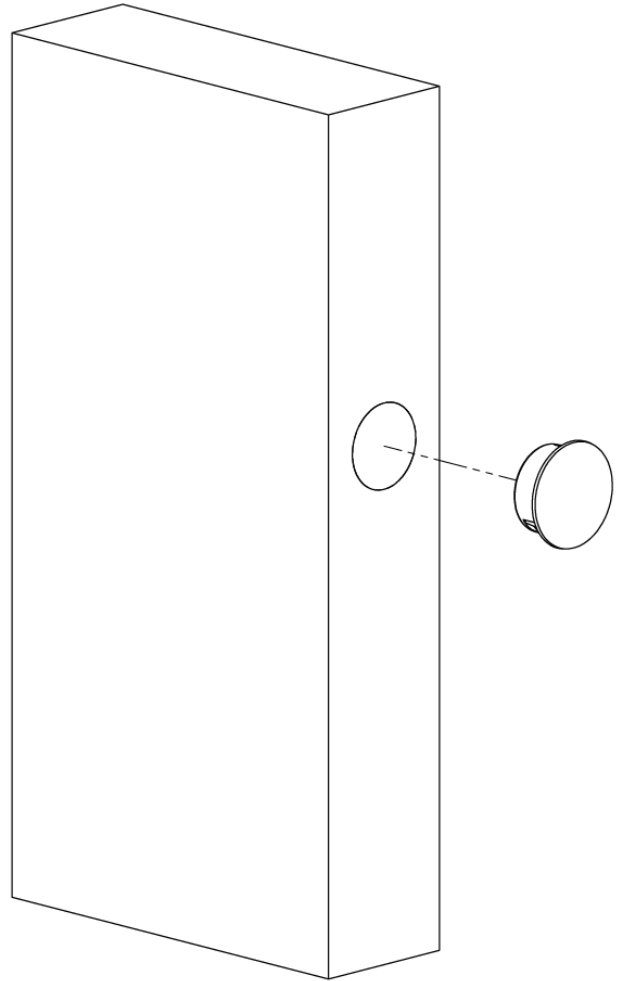


Figure 3: Active Door Leaf