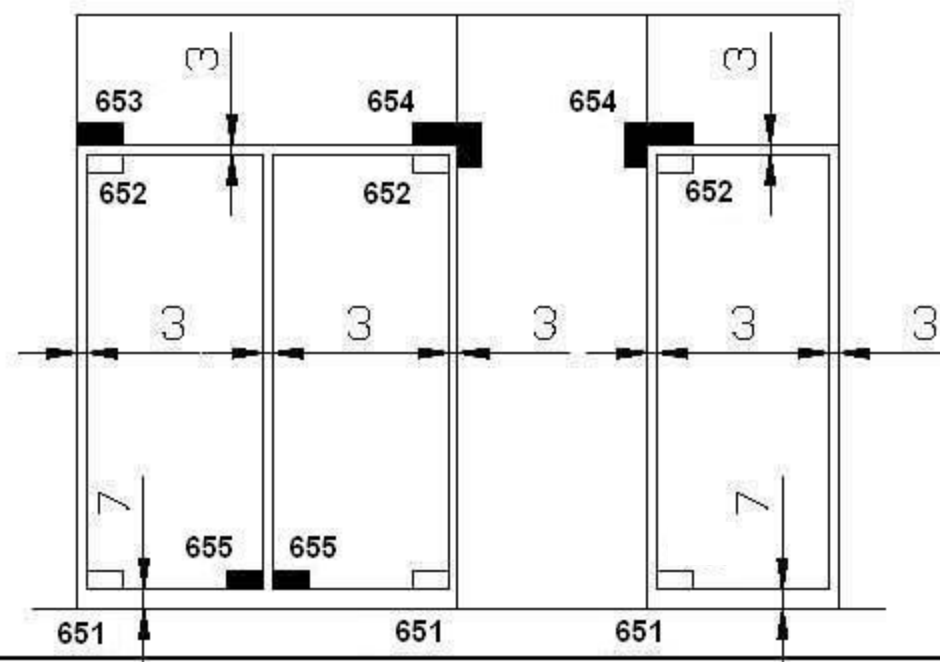


GLASS DOOR INSTALLATION INSTRUCTIONS

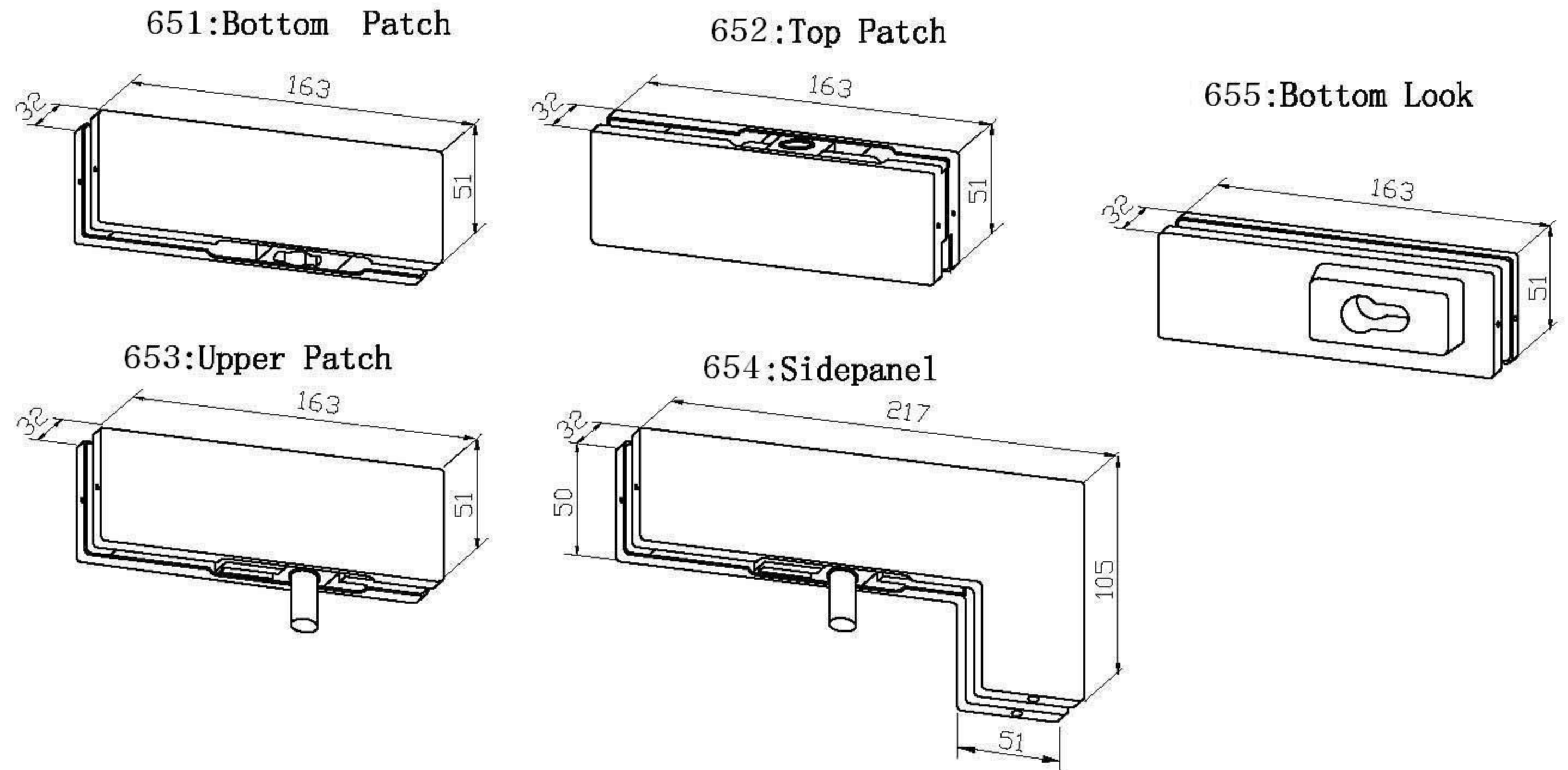
GENERAL INFORMATION

1. This series of patch fittings can be directly used with floor spring products
2. Patch Fittings are manufactured from lightweight cast aluminum suitable for use on 10-12mm tempered glass doors.
3. To prepare the doors for installation please follow the glass cutting template as shown below. For proper installation please follow the diagrams on page 2.
4. While installing, special attention should be paid to adjusting the doors to be level and balanced. Tighten the fixing screws evenly to provide the proper pressure on the doors.
 - a. Recommended torque for fixing screws are as follows:
 - i. M5 Screw: 10 Nm (for 4mm Allen key size)
 - ii. M6 Screw: 15 Nm (for 5mm Allen key size)

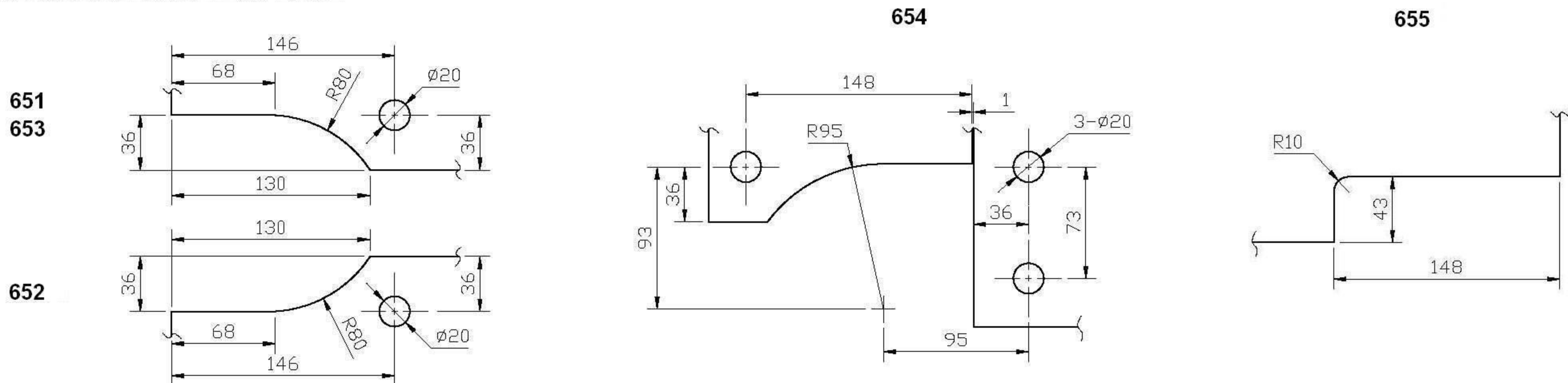
INSTALLATION POSITIONS



PRODUCT SIZE

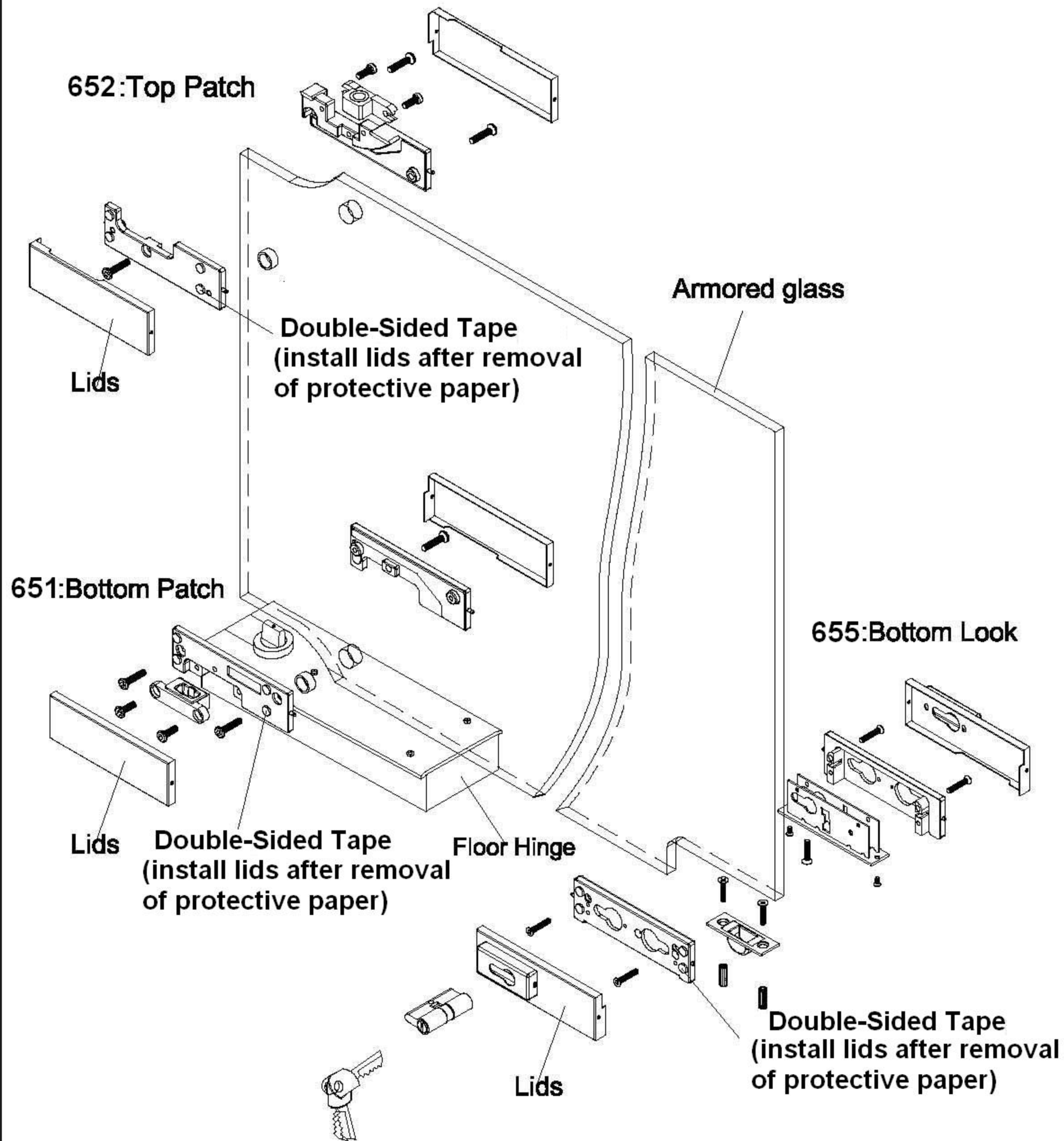


GLASS CUTTING TEMPLATE

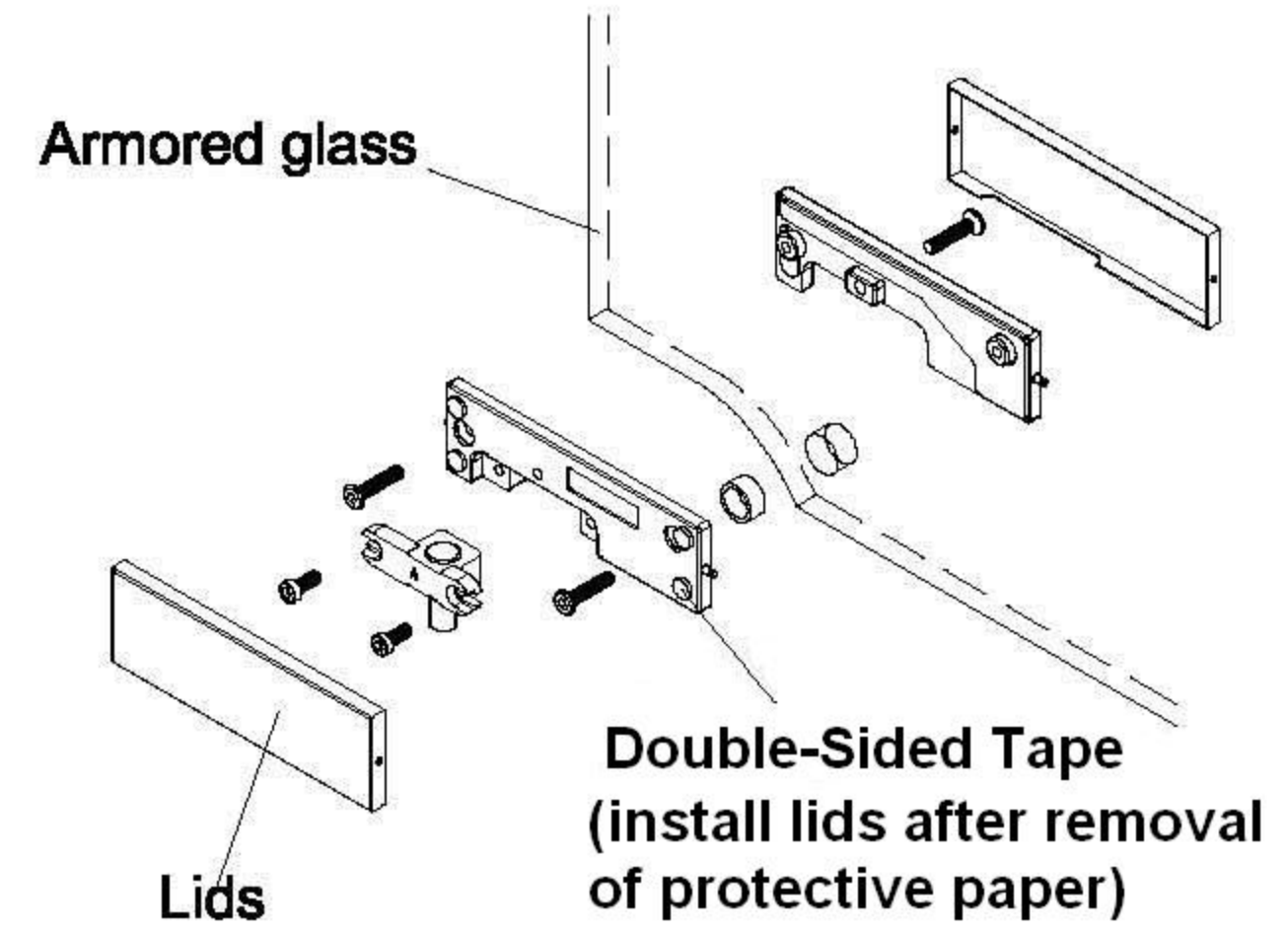


INSTALLATION DIAGRAMS

651:Bottom Patch、 652:Top Patch、 655:Bottom Look
Installation diagram



653:Upper Patch Installation diagram



654:Sidepanel Installation diagram

