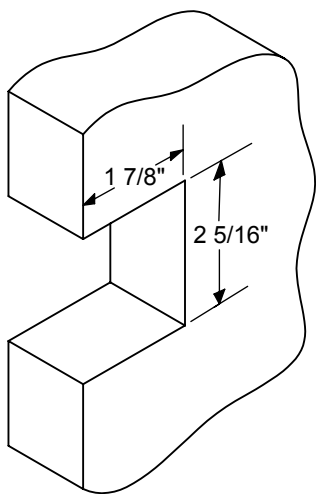
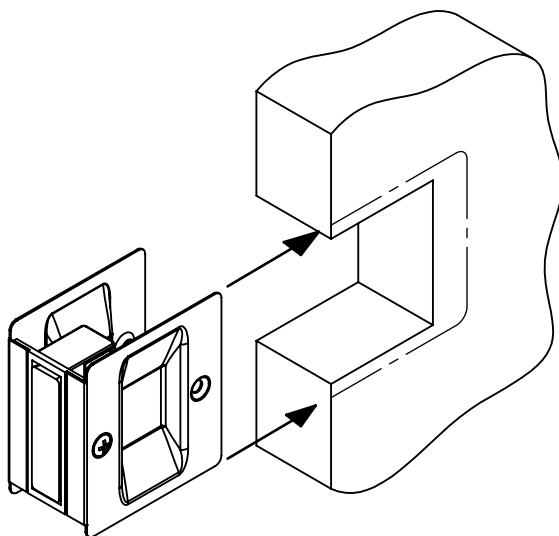


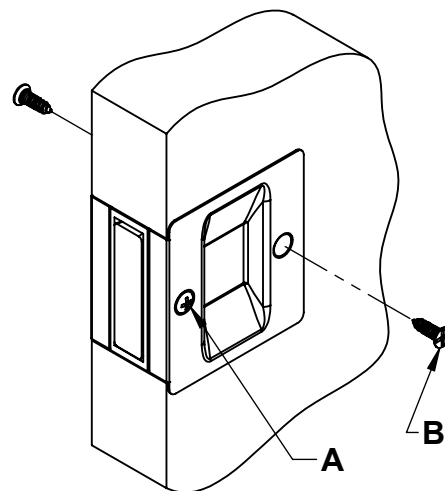
330D POCKET DOOR LATCH INSTRUCTIONS



CUT NOTCH IN THE DOOR AT THE DESIRED HEIGHT.



SLIDE THE LATCH INTO PLACE SO THAT THE FRONT FACE OF THE LATCH IS FLUSH WITH THE DOOR EDGE.



- A. TIGHTEN MACHINE SCREWS TO AUTOMATICALLY ALIGN THE PULL ON THE DOOR.
- B. INSTALL (2) #6 x 5/8" OPHWS TO THE DOOR.



DRAWING NO: I-TA00740

REV: 01

SHEET 1 OF 1

HAGER COMPANIES 139 Victor Street, St. Louis, MO 63104 - (800) 325-9995 - Fax (800) 782-0149