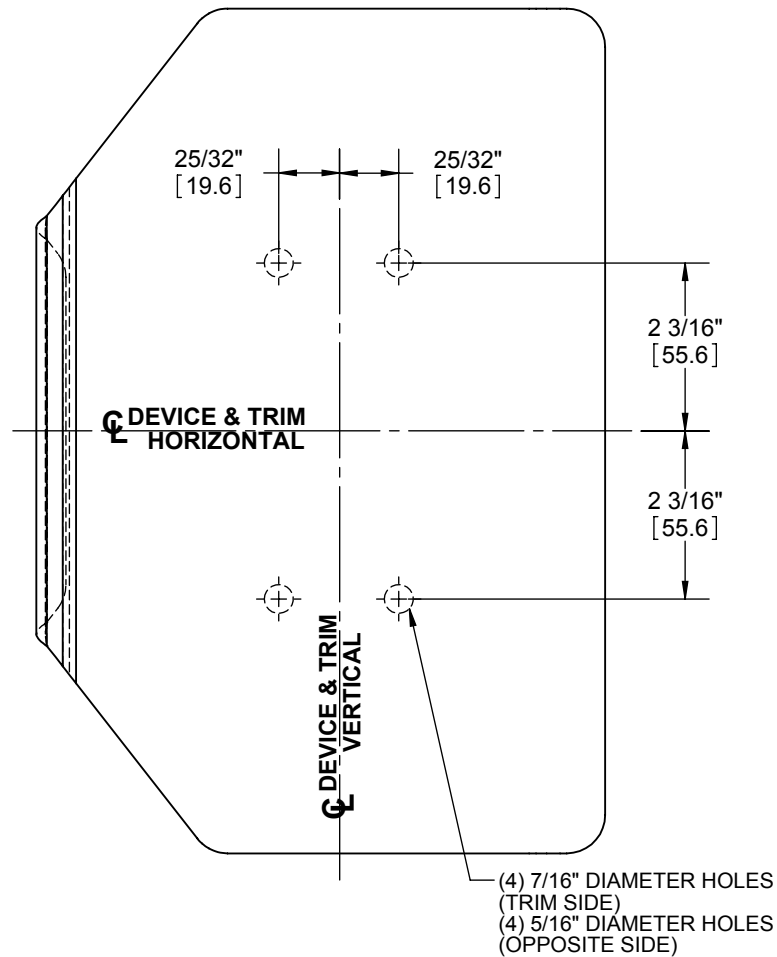


NOTE 1: TEMPLATE NOT TO SCALE.
 NOTE 2: DIMENSIONS IN [] ARE IN MILLIMETERS.

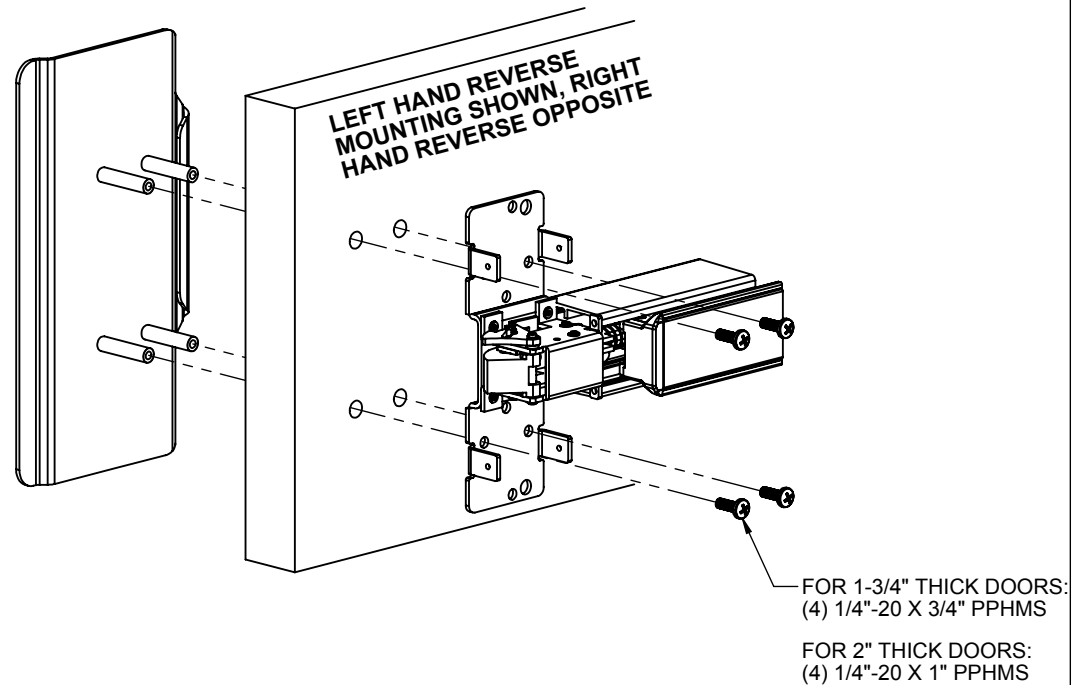
313L ANTI-VANDAL PULL INSTALLATION INSTRUCTIONS

313L DUMMY PULL WITH 4500 SERIES EXIT DEVICE



STEP 1.
 PREPARE PUSH SIDE OF THE DOOR FOR EXIT DEVICE. SEE EXIT DEVICE TEMPLATE FOR DOOR PREPERATION DETAIL.

- STEP 2.**
 PREPARE PULL SIDE OF DOOR FOR PULL.
- TRANSFER VERTICAL AND HORIZONTAL DEVICE CENTERLINES FROM PUSH SIDE OF DOOR TO PULL SIDE.
 - LOCATE AND PREP HOLES USING DIAGRAM ABOVE.



STEP 3.
 SECURE PULL AND EXIT DEVICE USING THE 4 MOUNTING SCREWS.

