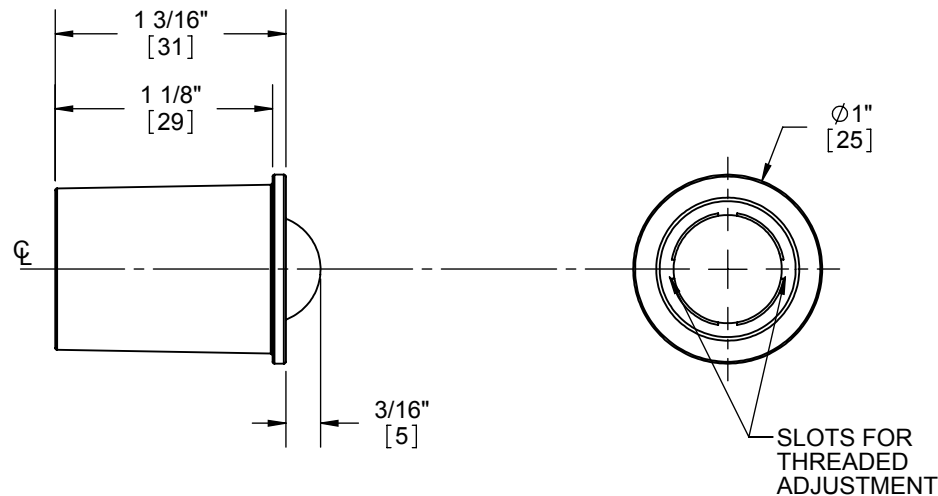


# 1449 DRIVE-IN BALL CATCH INSTRUCTIONS

1. CHOOSE HEIGHT AT WHICH TO MOUNT HARDWARE AND MARK AN "X" ON DOOR EDGE.  
(MAKE SURE "X" IS IN THE CENTER OF THE DOOR EDGE BEFORE MOVING ON.)
2. DRILL  $\varnothing 15/16"$ [24] HOLE  $1-1/4"$ [32] DEEP WHERE THE "X" WAS MARKED ON THE DOOR.
3. TAP CATCH INTO HOLE UNTIL LIP SITS FLUSH ON THE DOOR EDGE. (USE A WOOD BLOCK TO STRIKE AGAINST IN ORDER TO PROTECT BALL CATCH.)
4. USING THE SLOTS ON THE FACE OF THE BALLCATCH HOUSING, ROTATE BALL CATCH HOUSING CLOCKWISE TO DECREASE BALL PROJECTION OR ROTATE COUNTERCLOCKWISE TO INCREASE BALL PROJECTION.

## NOTES:

1. GAP BETWEEN DOOR AND FRAME SHOULD BE AT LEAST  $1/8"$ [3].



DIMENSIONS IN [ ] ARE IN MILLIMETERS

DRAWING NO: I-TA00015

REV: 02

SHEET 1 OF 1

**HAGER COMPANIES** 139 Victor Street, St. Louis, MO 63104 - (800) 325-9995 - Fax (800) 782-0149

