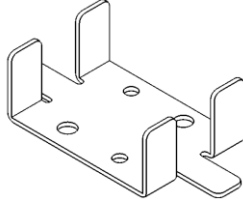
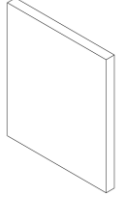


Contents:	Qty:		
1. Wider Floor Plates	3	1. 	2. 
2. Shim	6		

This kit is included in the 9850HD Pocket Door Kits. It gives additional clearance for 1-3/4" thick doors.

1 Replace Floor Plates

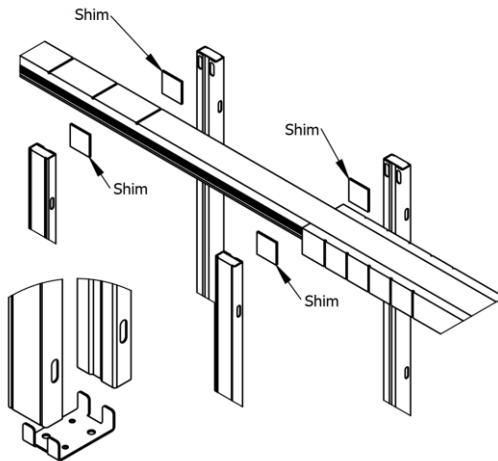


Figure 1

- Discard the standard floor plates that came with the pocket door kit
- Replace it with the wider floor plates included in this kit

2 Apply Spacers

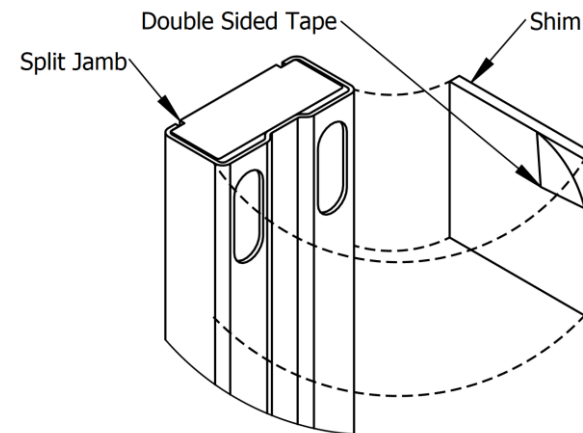


Figure 2

- Peel the paper off the 1/8" shim
- Stick it to the top of each split jamb covering the slots
- Follow the rest of the installation instructions included with the pocket door kit