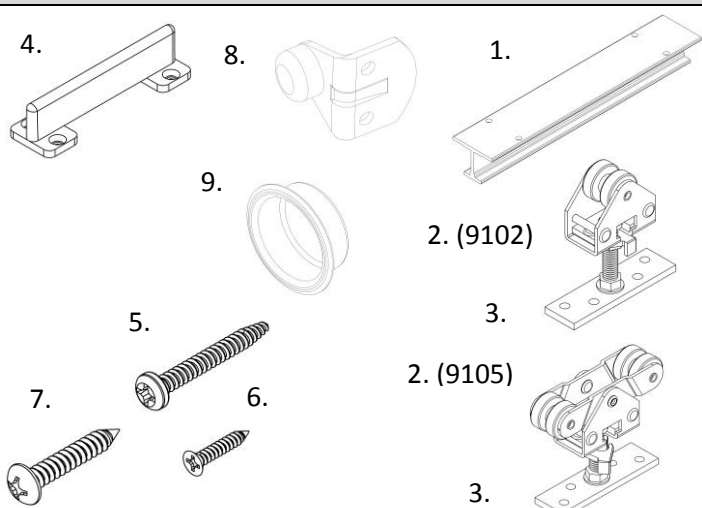
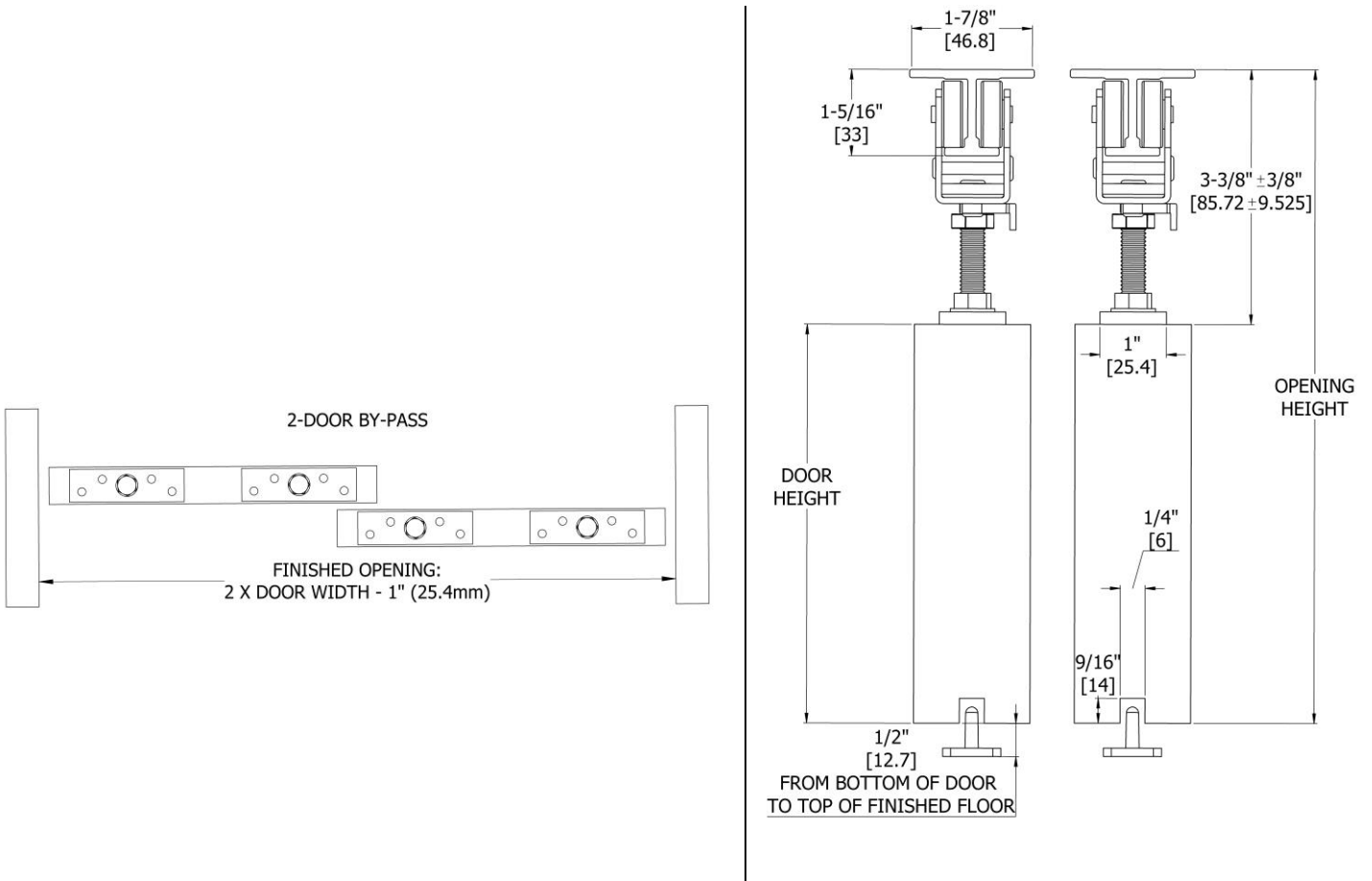


CONTENTS	9110	9130	
1. TRACK (9101)	1	1	
2. CARRIER	2 (9102)	2 (9105)	
3. DOOR MOUNT PLATE	2	2	
4. FLOOR GUIDE (9115)	1	1	
5. #10 X 1-1/2" PPHS	20	20	
6. #6 X 7/8" FPHS	4	4	
7. #12 X 1-1/4" PPHS	8	8	
8. RUBBER BUMPER (9881) (sold separately)	1	1	
9. PULL (Sold separately)	1	1	

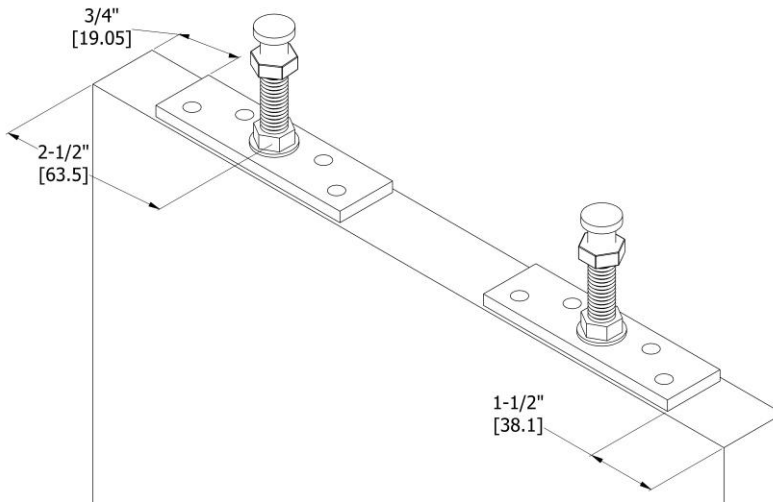
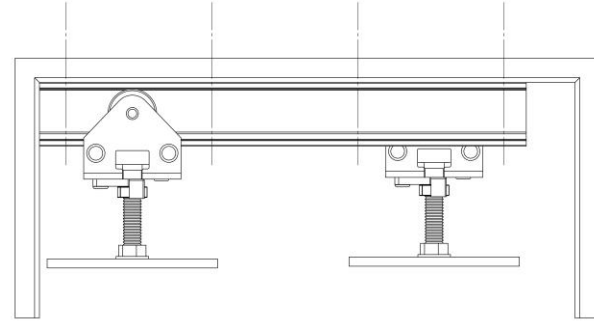
## 1 PREPARE OPENING

OPENING HEIGHT MAX = DOOR HEIGHT + 4-1/4"  
 OPENING HEIGHT MIN = DOOR HEIGHT + 3-1/2"



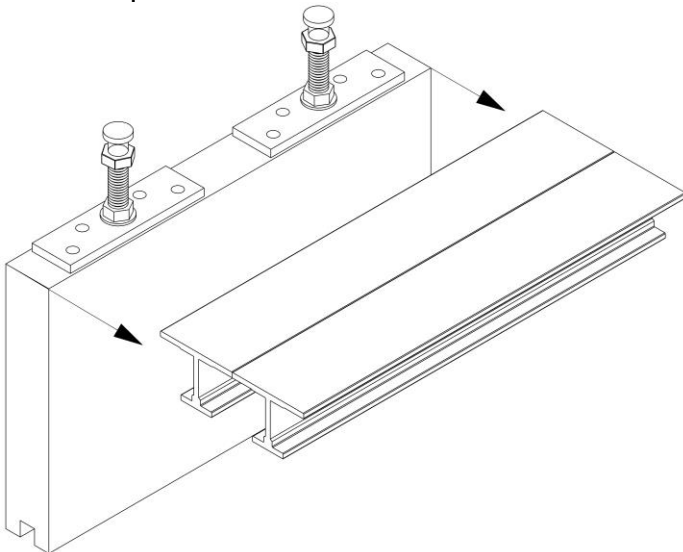
## 2 INSTALL TRACK AND HANGERS

- Center track in opening and secure with (#10x1-1/2") screws
- Leave a 1" gap between right end of track and door frame to allow for carrier removal
- Center quick release plates on door thickness
- Mount left plate edge 3/4" from near left door edge
- Mount right plate edge 1-1/2" from near right door edge
- Secure Carriers onto door with (#12 x 1-1/4") screws



## 3 HANG DOORS

- Cut a continuous kerf in bottom of door for guide
- Open quick release latches on brackets
- Slide door onto carrier and close hatch
- Repeat for front door on front rail



## 4 ADJUST AND FINISH

- Adjust carriers so door is square with frame
- Install door guides in center of opening, where doors overlap using (#6 x 7/8") screws
- Drill appropriate dimensioned hole to mount door pull (optional)
- Install stops (optional)

